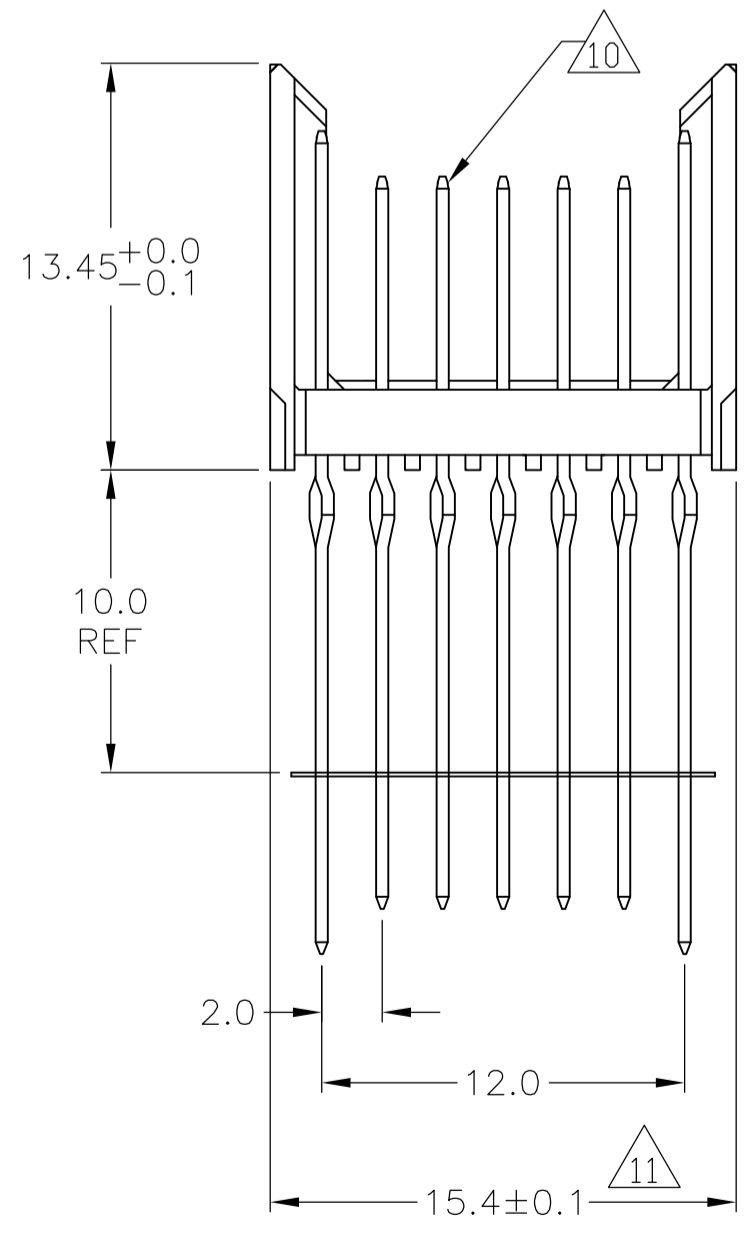
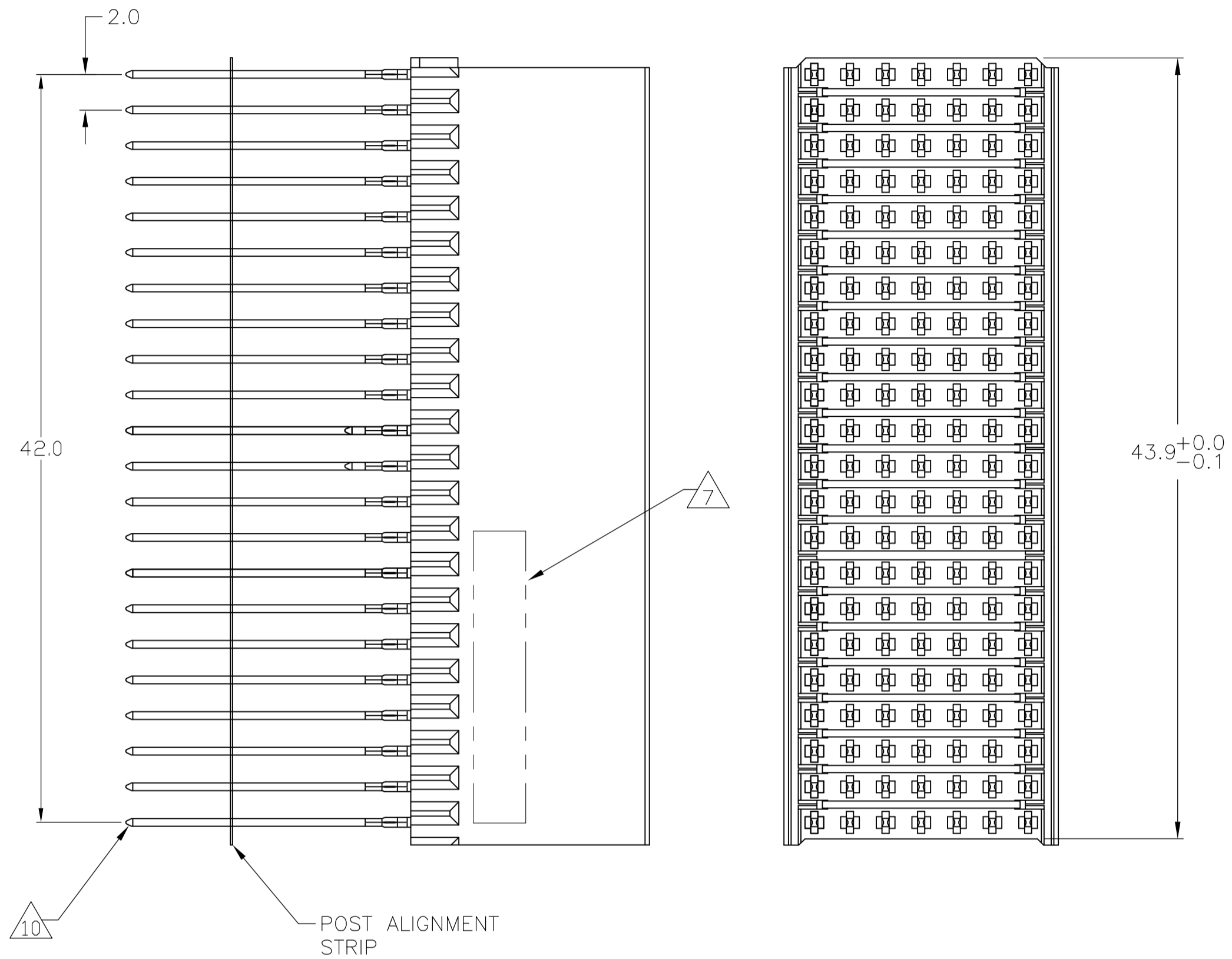
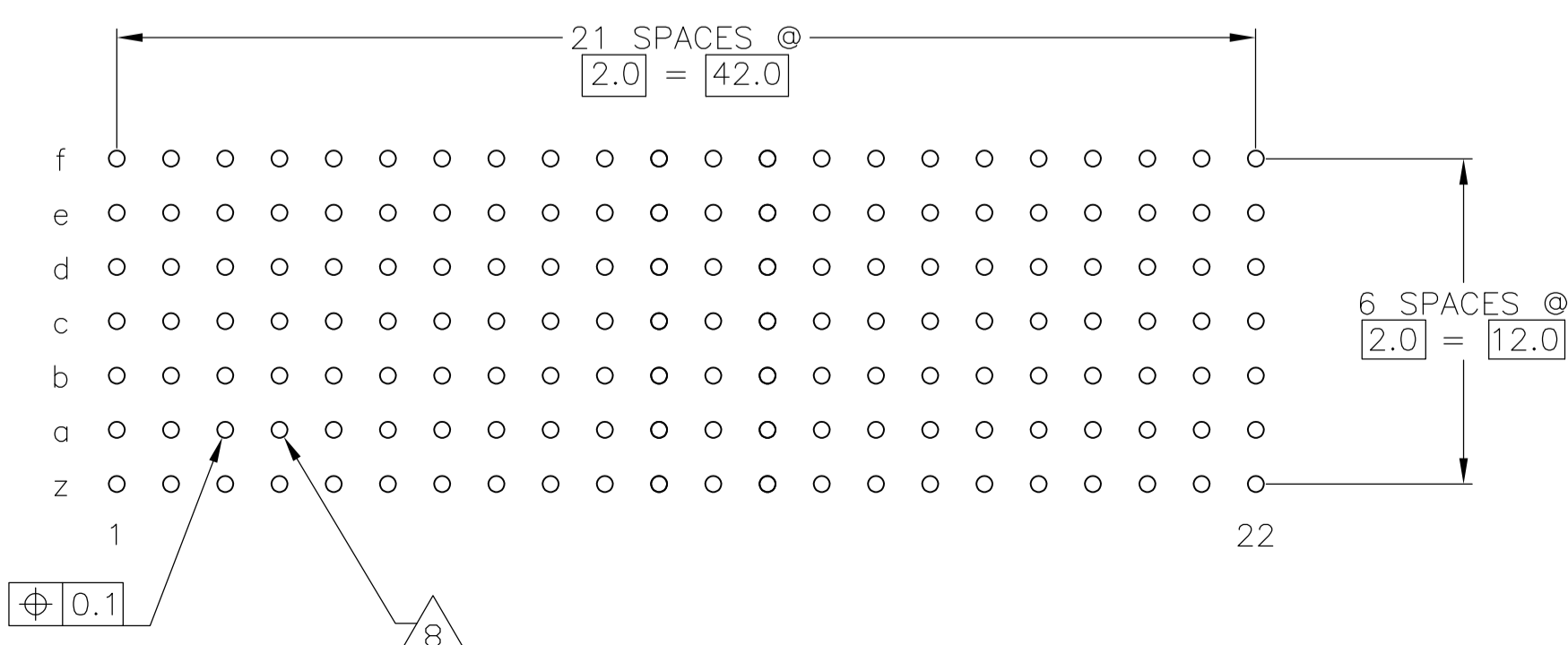


### CONNECTOR ASSEMBLY EXAMPLARY LOADED

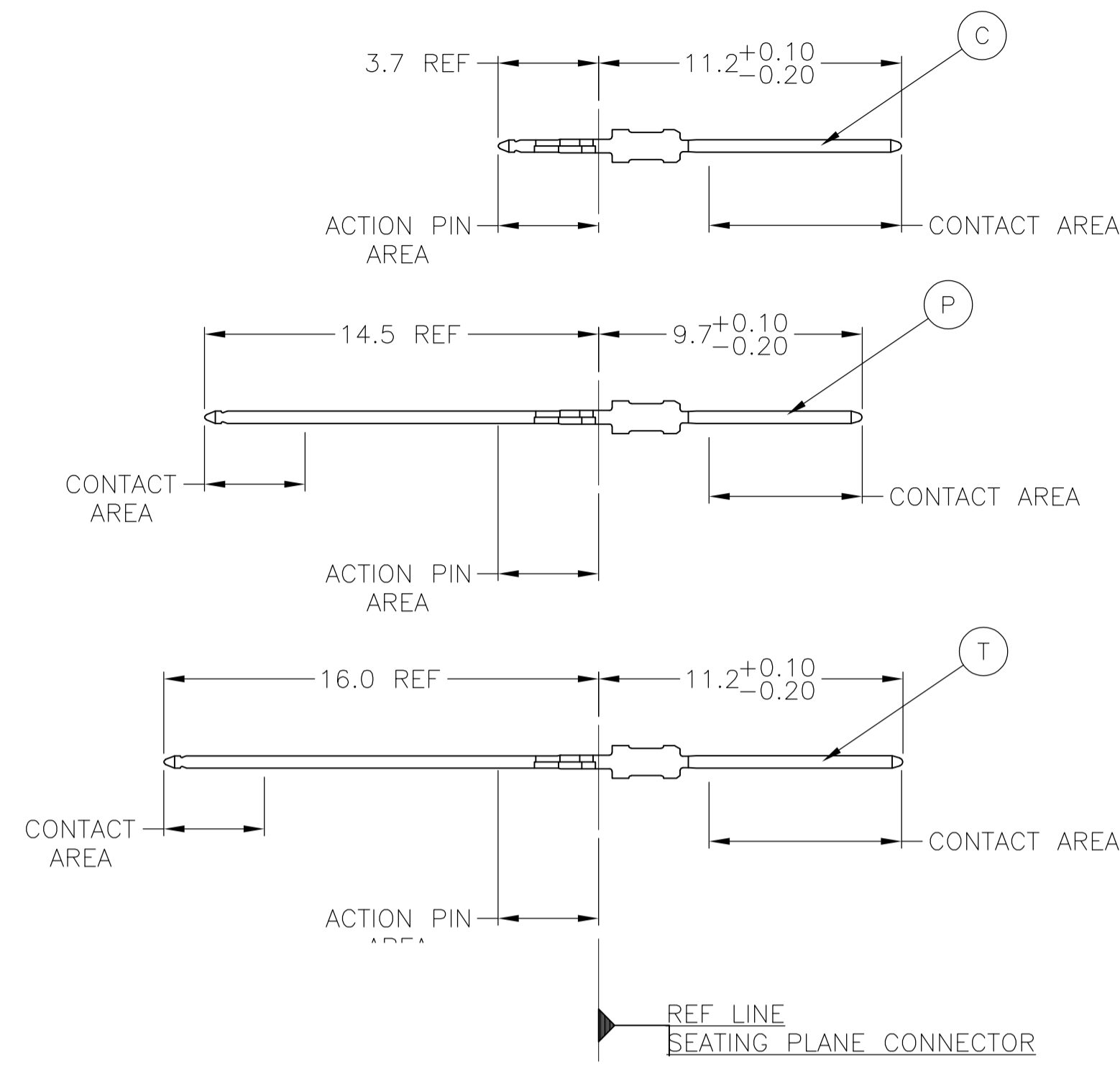


### RECOMMENDED PCB-HOLE LAYOUT COMPONENT SIDE SHOWN



### CONTACT DIMENSIONS

SCALE 5:1



### CONTACT LAYOUT

|    | z | a | b | c | d | e | f |
|----|---|---|---|---|---|---|---|
| 1  | T | P | P | P | P | P | T |
| 2  | T | P | P | P | P | P | T |
| 3  | T | P | P | P | P | P | T |
| 4  | T | P | P | P | P | P | T |
| 5  | T | P | P | P | P | P | T |
| 6  | T | P | P | P | P | P | T |
| 7  | T | P | P | P | P | P | T |
| 8  | T | P | P | P | P | P | T |
| 9  | T | P | P | P | P | P | T |
| 10 | T | P | P | P | P | P | T |
| 11 | C | P | P | P | P | P | C |
| 12 | C | P | P | P | P | P | C |
| 13 | T | P | P | P | P | P | T |
| 14 | T | P | P | P | P | P | T |
| 15 | T | P | P | P | P | P | T |
| 16 | T | P | P | P | P | P | T |
| 17 | T | P | P | P | P | P | T |
| 18 | T | P | P | P | P | P | T |
| 19 | T | P | P | P | P | P | T |
| 20 | T | P | P | P | P | P | T |
| 21 | T | P | P | P | P | P | T |
| 22 | T | P | P | P | P | P | T |

### PLATED THRU HOLES PARAMETERS

REFERENCE APPLICATION SPECIFICATION


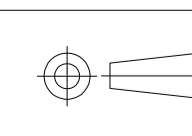
|        |   |    |             |
|--------|---|----|-------------|
| 2      | 6 | 12 | 1-5352712-9 |
| 2      | 5 | 12 | 5352712-9   |
| 2      | 4 | 12 | 5352712-4   |
| 2      | 3 | 12 | 5352712-1   |
| FINISH |   |    | PART NUMBER |

THIS DRAWING IS A CONTROLLED DOCUMENT.

|                  |  |                         |                         |  |
|------------------|--|-------------------------|-------------------------|--|
| DIMENSIONS: mm   | TOLERANCES UNLESS OTHERWISE SPECIFIED: | DIN B CARBO 28JUL05     | APPRO G SKIPPER 28JUL05 | Tyco Electronics Corporation Harrisburg, Pa 17105-3608 |
| 0-PLC ±          | 1-PLC ±0.1                             | APPRO G SKIPPER 28JUL05 | NAME                    | MALE ASSEMBLY, Z-PACK 2mm HM, TYPE B                   |
| 2-PLC ±          | 3-PLC ±                                | APPRO G SKIPPER 28JUL05 | PRODUCT SPEC            | 108-19082  |
| 4-PLC ±          | ANGLES ±                               | APPLICATION SPEC        | 114-19029               | SIZE CASE CODE DRAWING NO                              |
| 1                | SEE TABLE                              | WEIGHT                  | A1 00779                | RESTRICTED TO  |
| CUSTOMER DRAWING |  |                         | SCALE 4:1               | SHEET 1 OF 2   |

| LOC |     | DIST        |      | REVISIONS |      |  |  |  |
|-----|-----|-------------|------|-----------|------|--|--|--|
| P   | LTR | DESCRIPTION | DATE | DN        | APVD |  |  |  |
| AD  | 00  | SEE SHEET 1 | -    | -         | -    |  |  |  |

- 1 MATERIAL:  
CONTACT: PHOSPHOR BRONZE.  
HOUSING: GLASS-FILLED POLYESTER.
- 2 GENERAL PLATING SPECIFICATION: UNDERPLATING  
(ENTIRE CONTACT): 1.27µm MIN NICKEL AND ACTION  
PIN: 0.5µm MIN TIN.  
FOR PLATING OF MATING SURFACES SEE APPLICABLE  
SPECIFICATION REFERENCE FOR EACH DASH NUMBER.
- 3 CONFORMS TO ALL TESTING ACCORDING TO IEC 61076-4-101  
PERFORMANCE LEVEL 2.
- 4 CONFORMS TO ALL TESTING ACCORDING TO IEC 61076-4-101  
PERFORMANCE LEVEL 1.
- 5 CONNECTOR TESTED AND QUALIFIED AGAINST TELCORDIA GR-1217-CORE QUALITY LEVEL 3,  
CENTRAL OFFICE APPLICATIONS.
- 6 CONNECTOR TESTED AND QUALIFIED AGAINST TELCORDIA GR-1217-CORE QUALITY LEVEL 3,  
UNCONTROLLED ENVIROMENT APPLICATIONS.
- 7 CONNECTOR MARKED WITH PART NUMBER AND DATE CODE.  
ADDITIONAL CHARACTERS OR MARKINGS, AS WELL AS THE LOCATION OF THE MARKINGS,  
MAY BE ADDED FOR TRACEABILITY BASED UPON MANUFACTURERS DISCRETION.
- 8 PLATED-THROUGH HOLES AT 2x2mm SQUARE GRID  
PATTERN DEFINED BY CONTACT LAYOUT.
- 9 FOR ACTUAL PIN LOADING SEE "CONTACT LAYOUT".
- 10 FOR ACTUAL PIN DIMENSIONS SEE "CONTACT DIMENSIONS".
- 11 TO BE MEASURED AT BOTTOM OF SHROUD.
- 12 CONNECTOR LUBRICATED WITH BELCORE APPROVED LUBRICANT,  
TECHNICAL REFERENCE: TR-NWT-001217 ISSUE 1, SEP 1992.

|   |                       |   |                  |   |
|---|-----------------------|---|------------------|---|
| THIS DRAWING IS A CONTROLLED DOCUMENT.  |                       | DIN<br>B CARBO  | 28JUL05          |  Tyco Electronics Corporation<br>Harrisburg, Pa 17105-3608 |
|   |                       | CHK<br>G SKIPPER  | 28JUL05          |   |
| DIMENSIONS:<br>mm   |                       | TOLERANCES UNLESS OTHERWISE SPECIFIED:<br>0-PLC ±<br>1-PLC ± 0.1<br>2-PLC ±<br>3-PLC ±<br>4-PLC ±<br>ANGLES ± |                  | APVD<br>G SKIPPER<br>28JUL05<br>NAME<br>MALE ASSEMBLY, Z-PACK 2mm HM,<br>TYPE B   |
|  |                       | PRODUCT SPEC<br>108-19082<br>APPLICATION SPEC<br>114-19029  |                  | SIZE<br>A1<br>CAGE CODE<br>00779<br>DRAWING NO<br>5352712<br>RESTRICTED TO<br>-   |
| MATERIAL<br>SEE SHEET 1   | FINISH<br>SEE SHEET 1 | WEIGHT<br>-   | CUSTOMER DRAWING | SCALE 4:1 SHEET 2 OF 2 REV B  |

单击下面可查看定价，库存，交付和生命周期等信息

[>>TE Connectivity\(泰科\)](#)