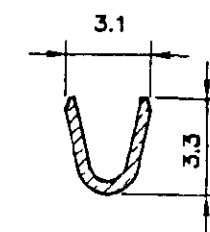
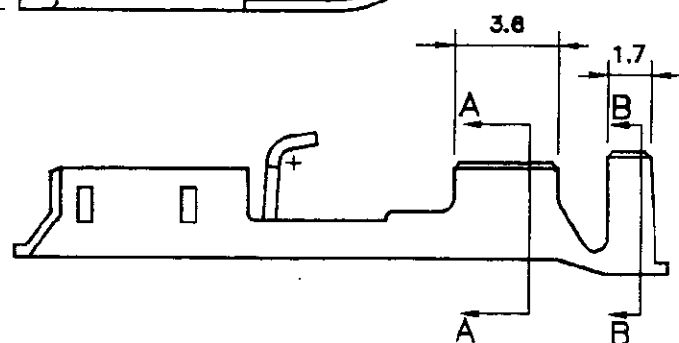
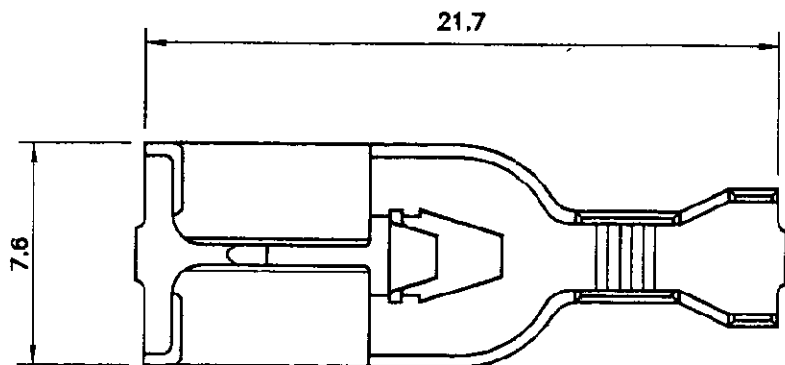
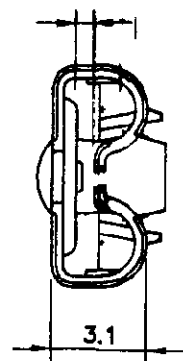
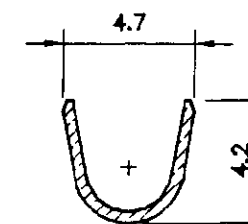


DRAWING MADE IN THIRD ANGLE PROJECTION

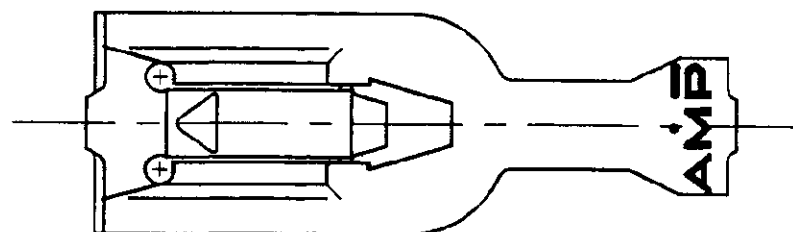
TO FIT AUSTRALIAN STANDARD
HOLE TAB (AS 3169)



SECTION A-A



SECTION B-B



THIS INFORMATION IS CONFIDENTIAL AND DISCLOSED TO YOU ON CONDITION THAT NO FURTHER DISCLOSURE IS MADE BY YOU TO OTHER THAN AMP PERSONNEL WITHOUT WRITTEN AUTHORIZATION FROM AUSTRALIAN AMP

CONTROLLED

WIRE RANGE: 0.5-1.5 sq mm		PRE TIN	BRASS	190679-2
INSULATION RANGE: Ø2.29-3.3 mm		REMARKS	BRASS	190679-1
		FINISH	MATERIAL	PART No
		SIZE 0.0±0.013X19.3±0.05		
		DATE 06/04/94	CHK FP	AMP Australian AMP Pty. Limited Rusden Austn. OSTE RLL 199
		DR RB	APP BL	
		NAME RECEPTACLE, POSI-LOCK, MKII, 0.250		
		SCALE AS 4:1 or shown	SIZE A3	DWG No. C-190679
		SHEET 1 OF 1		REV B

CUSTOMER DRAWING

ORIGINAL

单击下面可查看定价，库存，交付和生命周期等信息

[>>TE Connectivity\(泰科\)](#)