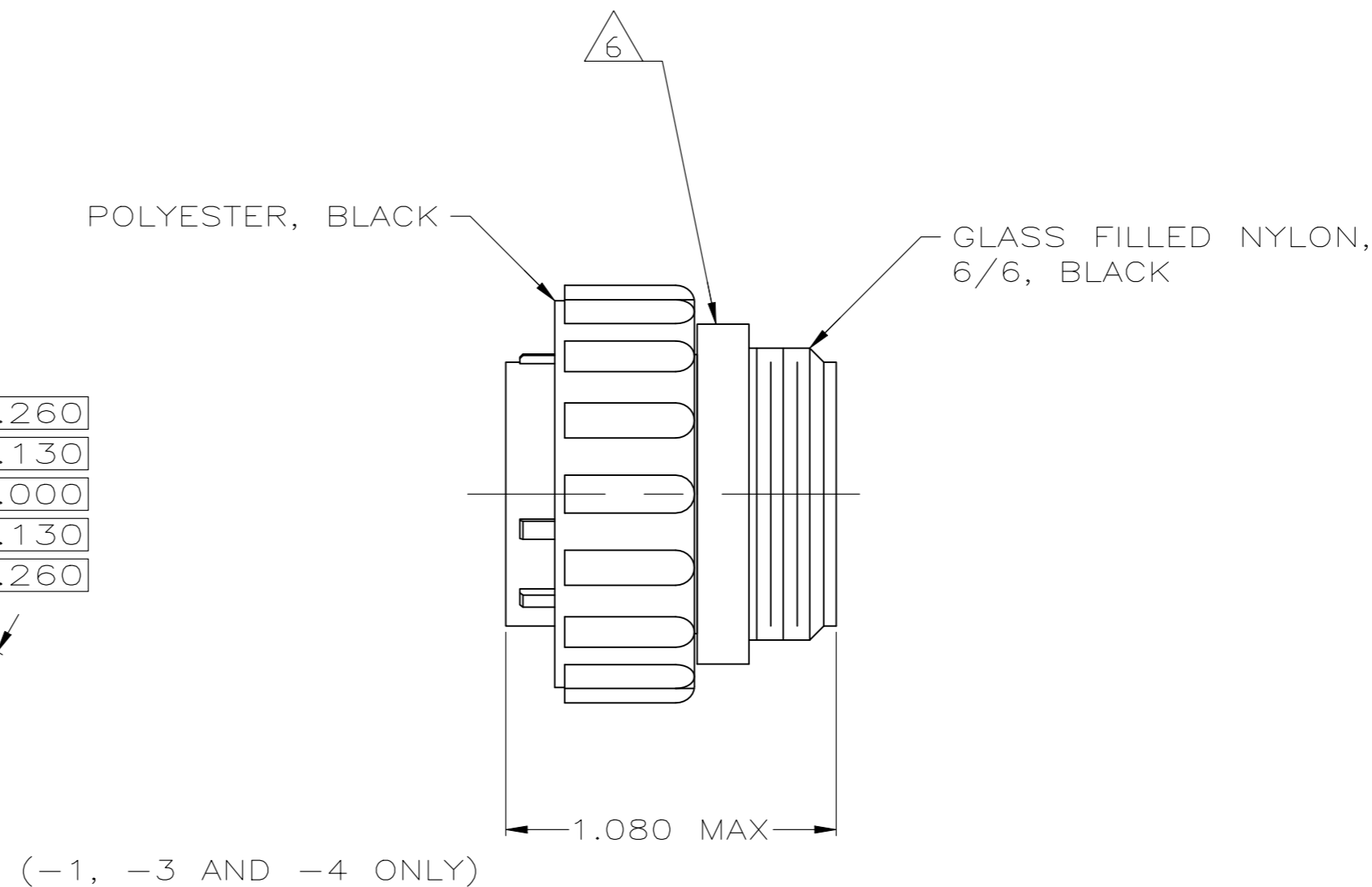
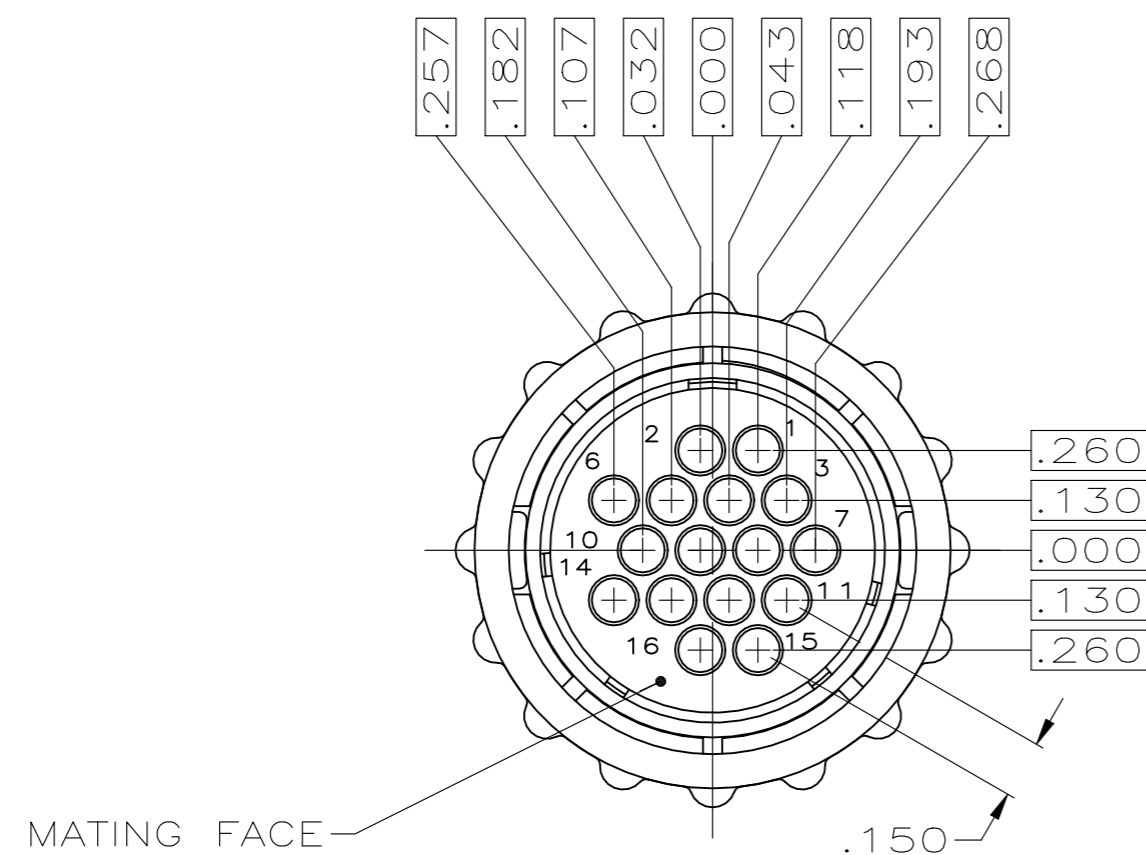
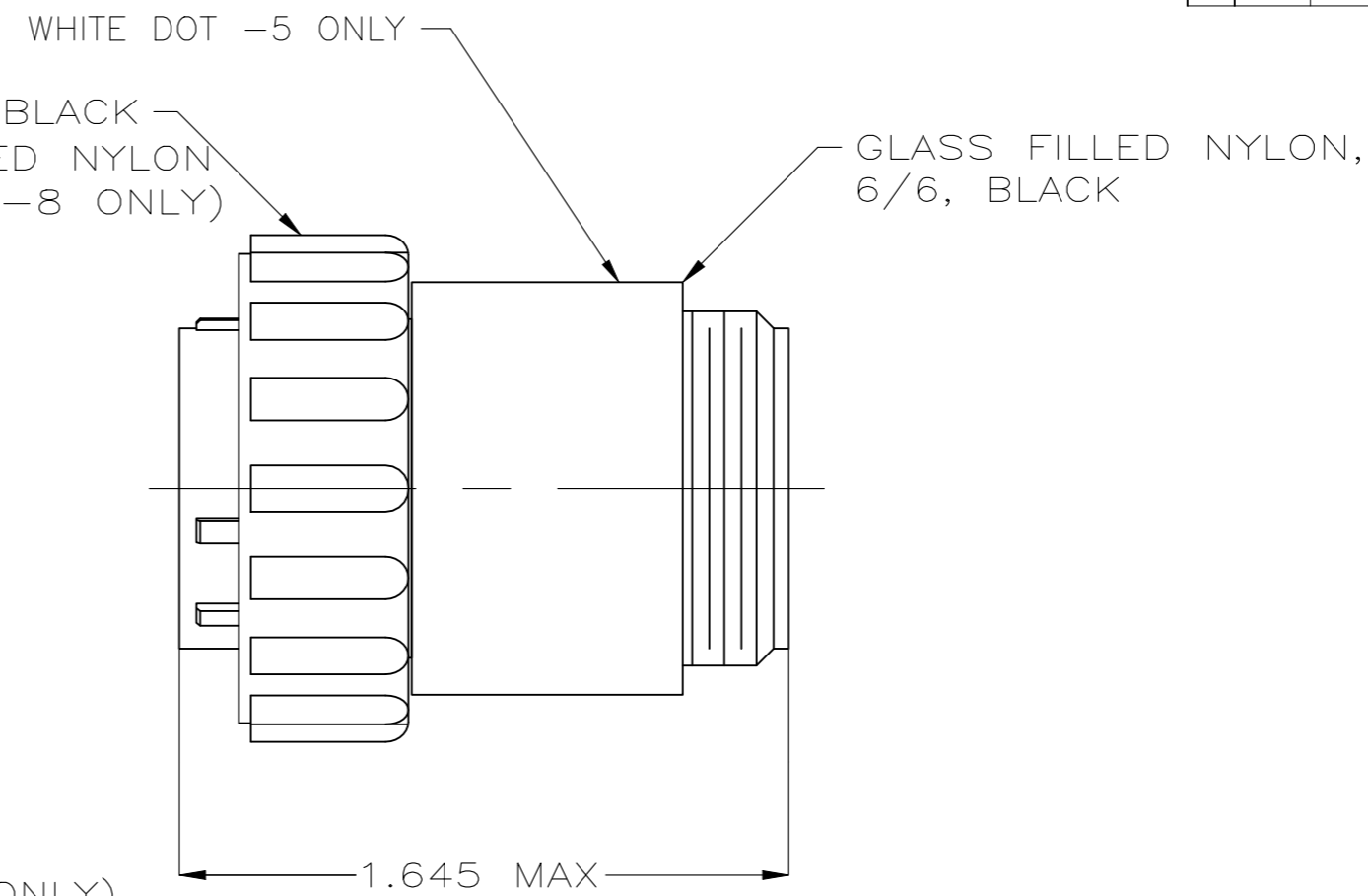
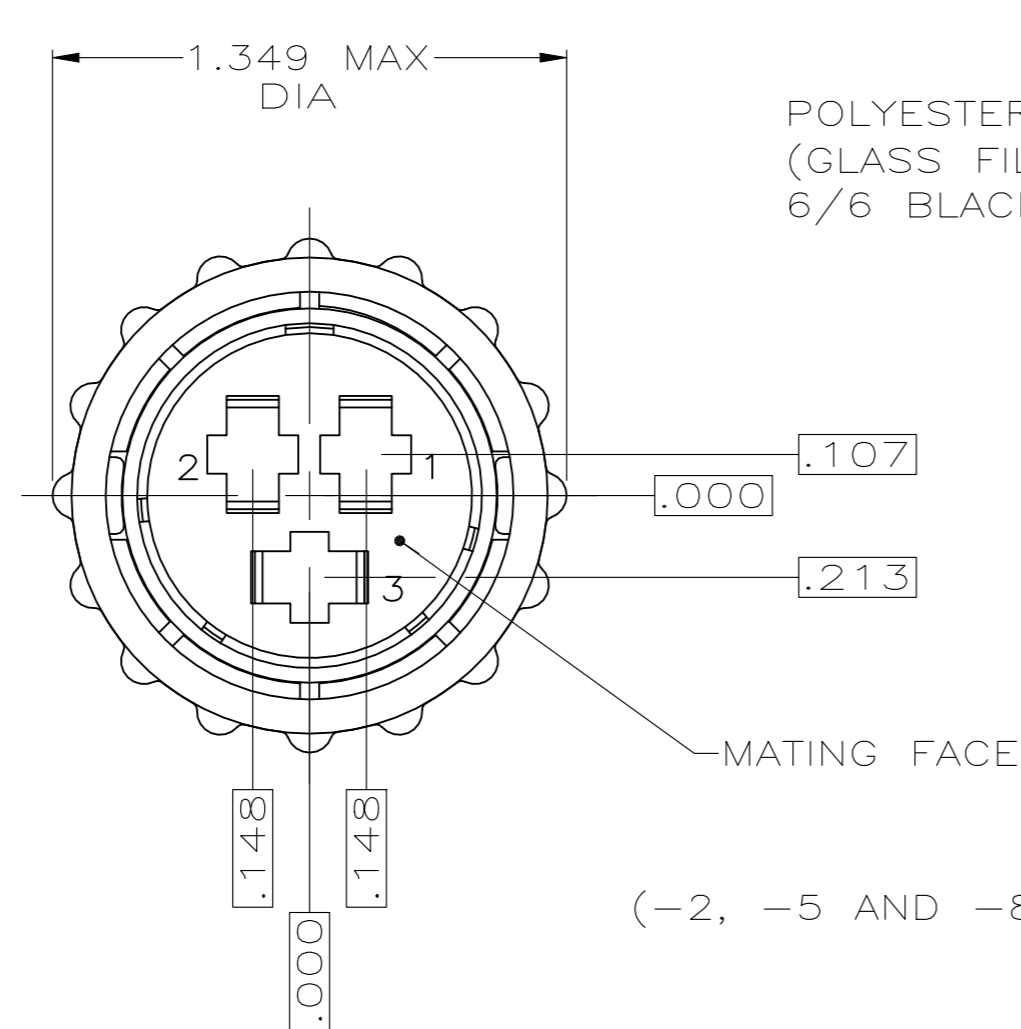


REVISIONS					
P	LTR	DESCRIPTION	DATE	DWN	APVD
M		REVISED PER ECO-21-006945	27OCT2021	RK	MZ



(-1, -3 AND -4 ONLY)

6 TE LOGO AND 206037-1 LOCATED ANYWHERE ON THIS SURFACE

5	4	3	206037-8
OBSOLETE		3	206037-5
		2	206037-4
		2	206037-3
		3	206037-2
		2	206037-1

NOTES:

- 1. CONTACT CAVITIES IDENTIFIED BY CHARACTERS ON FRONT AND REAR FACES OF CONNECTOR.
- 2 PART NUMBER 206037-1, -3 AND -4 WILL ACCEPT (16) MULTIMATE SOCKET CONTACTS.
- 3 PART NUMBER 206037-2, -5 AND -8 WILL ACCEPT (3) TYPE XII SOCKET CONTACTS.
- 4 OBSOLETE PART NUMBER.
- 5 UL RATED UV(f1) MATERIAL.

THIS DRAWING IS A CONTROLLED DOCUMENT.		DWN	S.RIDGLEY	BG	8/3/90	<b>TE</b> TE Connectivity	
DIMENSIONS: INCHES		CHK	R.STONE		04/26/91		
TOLERANCES UNLESS OTHERWISE SPECIFIED:		APVD	-	-	-	NAME	-
0 PLC ± -		PRODUCT SPEC	-	-	-	SIZE	A2
1 PLC ± -		APPLICATION SPEC	-	-	-	CAGE CODE	00779
2 PLC ± -		WEIGHT	-	-	-	DRAWING NO	C=206037
3 PLC ± .005		CUSTOMER DRAWING	-	-	-	RESTRICTED TO	-
4 PLC ± -		SCALE	2:1	SHEET	1 OF 1	REV	M
ANGLES ± -							
FINISH							
SEE NOTES							

单击下面可查看定价，库存，交付和生命周期等信息

[>>TE Connectivity\(泰科\)](#)