

4

3

2

1

THIS DRAWING IS UNPUBLISHED.

RELEASED FOR PUBLICATION

,1998 .

© COPYRIGHT 1999

BY AMP KOREA.

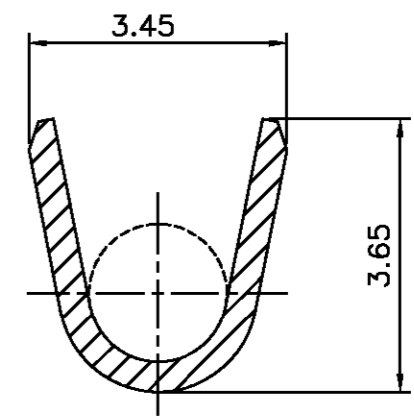
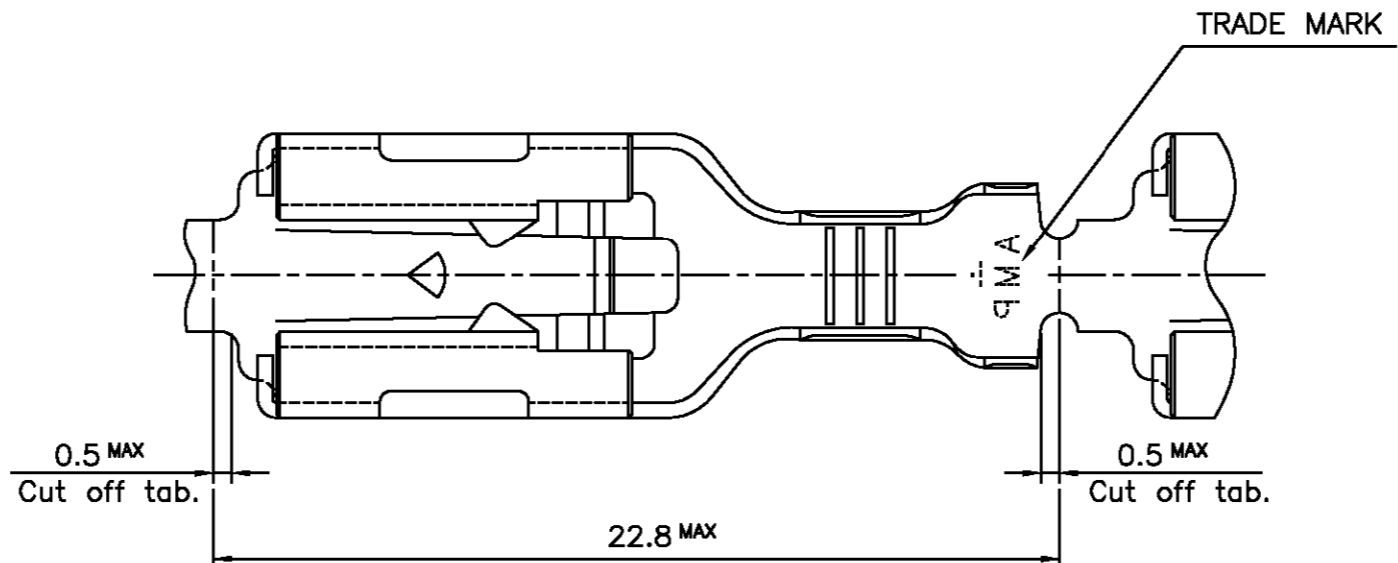
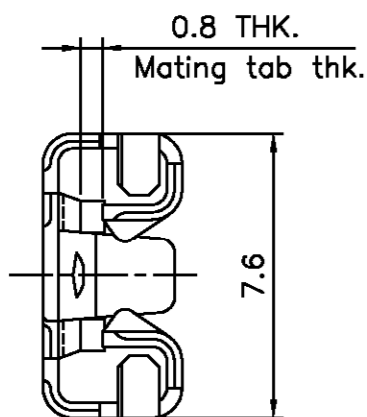
ALL RIGHTS RESERVED.

LOC DS

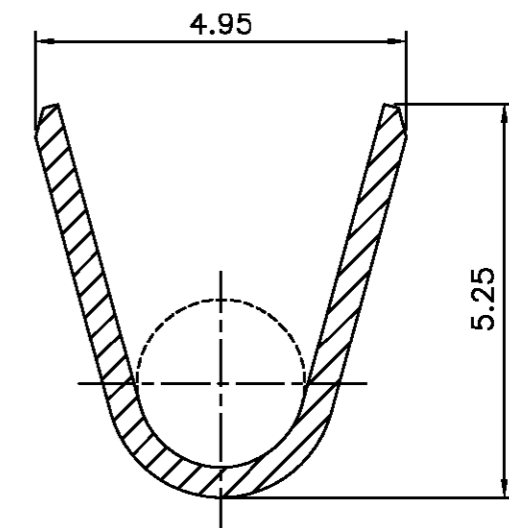
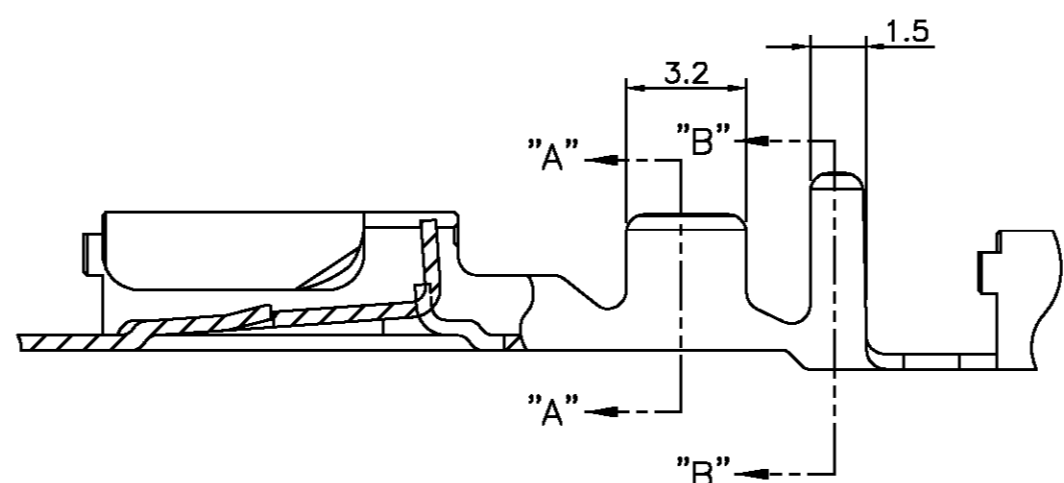
DIST

REVISIONS

P	LTR	DESCRIPTION	DATE	DWN	APVD
A		REDRAWN W/CHANGE FC00-0053-99	07.MAY'99	YM	CS



SECTION "A-A" Scale 10/1



SECTION "B-B" Scale 10/1

* NOTES;

- 1 WIRE SIZE EQUIV AVS 0.75 ~2.27 Sqmm.
- 2 INSULATION DIA RANGE 2.2 ~3.4 mm.

85069 -2
PART NUMBER

THIS DRAWING IS CONTROLLED DOCUMENT FOR AMP INCORPORATED. IT IS SUBJECT TO CHANGE AND THE CONTROLLING ENGINEERING ORGANIZATION SHOULD BE CONTACTED FOR THE LATEST REVISION.		DWN	AMP AMP KOREA. kyungsan, korea		
DIMENSIONS: MM		CHK			
		APVD	NAME		
		PRODUCT SPEC 108-5164	.250 AUTOMOTIVE POSITIVE LOCK REC		
TOLERANCES UNLESS OTHERWISE SPECIFIED: 0 <XX<10 ± 0.2 10<XX<30 ± 0.25 30<XX<100 ± 0.3 ANGLES ± 3°		APPLICATION SPEC 114-5060	SIZE A3	CAGE CODE 00779	DRAWING NO C- 8 5 0 6 9
MATERIAL TKLF-5Z 0.4THK.	FINISH PRE-TINNED	WEIGHT	SCALE 5/1	SHEET 1 OF 1	REV A

单击下面可查看定价，库存，交付和生命周期等信息

[>>TE Connectivity\(泰科\)](#)