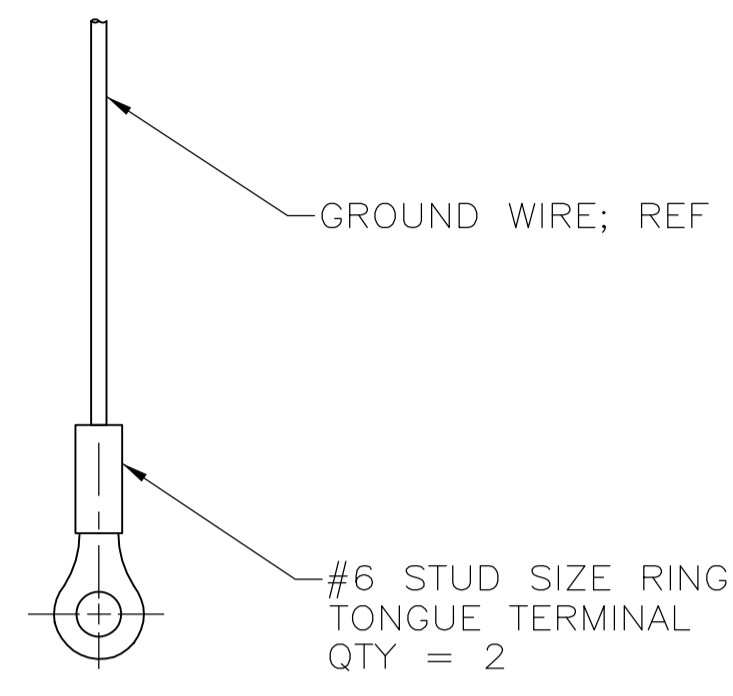


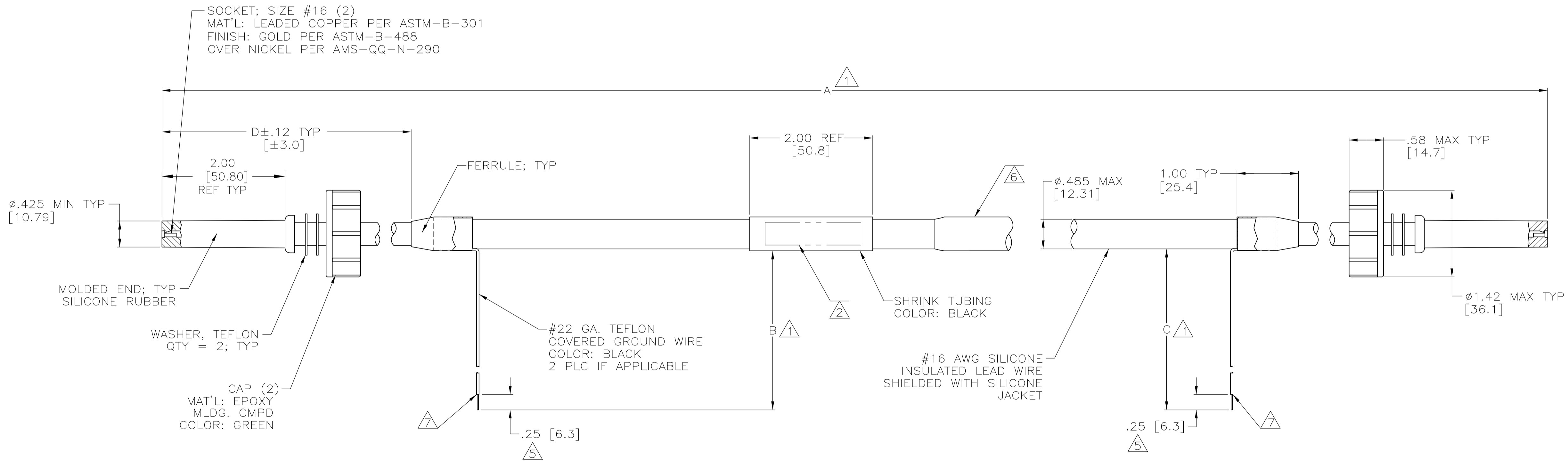
LOC		DIST		REVISIONS			
P	LTR	DESCRIPTION	DATE	DN	APVD		
AB	REV PER ECO	13-015549	10-2-13	CT	DE		

PART NO.	A	B	C	D	REMARKS
846950-1	1200.00 [30480.0]	12.00 [304.8]	12.00 [304.8]	4.00	△ OBSOLETE
846950-2	480.00 [12192.0]	12.00 [304.8]	12.00 [304.8]	4.00	△ OBSOLETE
846950-3	180.00 [4572.0]	12.00 [304.8]	12.00 [304.8]	4.00	△ OBSOLETE
846950-4	60.00 [1524.0]	12.00 [304.8]	12.00 [304.8]	4.00	△ OBSOLETE
846950-5	192.00 [4876.8]	12.00 [304.8]	12.00 [304.8]	4.00	△ OBSOLETE
846950-6	12.00 [304.8]	12.00 [304.8]	12.00 [304.8]	2.62	△
846950-7	12.00 [304.8]	24.00 [609.6]	24.00 [609.6]	2.75	△
846950-8	108.00 [2743.2]	12.00 [304.8]	12.00 [304.8]	4.00	△
846950-9	108.00 [2743.2]	12.00 [304.8]	-	4.00	△ OBSOLETE
1-846950-0	48.00 [1219.2]	12.00 [304.8]	12.00 [304.8]	4.00	△
1-846950-1	10.00 [254.0]	12.00 [304.8]	-	3.00	△ OBSOLETE
1-846950-2	15.00 [381.0]	12.00 [304.8]	-	3.00	△ OBSOLETE
1-846950-3	24.00 [609.6]	12.00 [304.8]	-	3.00	△ OBSOLETE
1-846950-4	96.00 [2438.4]	12.00 [304.8]	12.00 [304.8]	3.00	△
1-846950-5	70.00 [1778.0]	12.00 [304.8]	12.00 [304.8]	4.00	△
1-846950-6	32.50 [825.5]	6.00 [152.4]	6.00 [152.4]	4.00	△ OBSOLETE
1-846950-7	50.00 [1270.0]	12.00 [304.8]	12.00 [304.8]	4.00	△
1-846950-8	20.00 [508.0]	12.00 [304.8]	12.00 [304.8]	4.00	△
1-846950-9	30.00 [762.0]	12.00 [304.8]	-	4.00	△
2-846950-0	79.00 [2006.6]	12.00 [304.8]	12.00 [304.8]	6.00	△
2-846950-1	300.00 [7620.0]	12.00 [304.8]	12.00 [304.8]	4.00	△ OBSOLETE
2-846950-2	348.00 [8839.2]	12.00 [304.8]	12.00 [304.8]	4.00	△
2-846950-3	17.00 [431.8]	12.00 [304.8]	12.00 [304.8]	4.00	△
2-846950-4	26.00 [660.4]	12.00 [304.8]	12.00 [304.8]	4.00	△ OBSOLETE
2-846950-5	14.00 [355.6]	12.00 [304.8]	12.00 [304.8]	3.00	△
2-846950-6	216.50 [5500.1]	12.00 [304.8]	12.00 [304.8]	4.00	△
5-846950-8	108.00 [2743.2]	12.00 [304.8]	12.00 [304.8]	4.00	△
6-846950-0	48.00 [1219.2]	12.00 [304.8]	12.00 [304.8]	4.00	△
6-846950-8	20.00 [508.0]	12.00 [304.8]	12.00 [304.8]	4.00	△
7-846950-0	79.00 [2006.6]	12.00 [304.8]	12.00 [304.8]	6.00	△



846950-6 ONLY
SCALE 2:1

- △1 TOLERANCE OF LEAD LENGTH:
UP TO 24 INCHES [609.6] = ±.12 [±3.0]
24 INCHES [609.6] & UP = ±1%
- △2 MARKED PER MIL-STD-130.
- 3. TO MATE WITH AMP LGH-4 RECEPTACLE WITH 2.00 [50.8] BARREL DEPTH.
- 4. OPERATING VOLTAGE: 50 KVDC AT 0 TO 70,000 FEET, -55°C TO 125°C.
- △5 WHERE APPLICABLE PIGTAIL IS SOLDER DIPPED.
- △6 FOR LEAD ASSY'S THAT REQUIRE MORE THAN ONE PIECE OF SILICONE TUBING A 2.00" MAX OVERLAP IS PERMISSABLE.
- △7 INSULATION CUT, BUT NOT REMOVED.



THIS DRAWING IS A CONTROLLED DOCUMENT.		DIN C.C.THOMAS 28-MAR-90	TE Connectivity												
DIMENSIONS: INCHES [mm]		CHK D.OPLINGER 09-APR-90													
TOLERANCES UNLESS OTHERWISE SPECIFIED:		APVD D.OPLINGER 09-APR-90	NAME LEAD ASSY, DOUBLE MOLDED ENDS SHIELDED AND SILICONE COVERED LGH-4												
<table border="1"> <tr><td>0 PLC</td><td>± -</td></tr> <tr><td>1 PLC</td><td>± -</td></tr> <tr><td>2 PLC</td><td>± .02 [0.5]</td></tr> <tr><td>3 PLC</td><td>± -</td></tr> <tr><td>4 PLC</td><td>± -</td></tr> <tr><td>ANGLES</td><td>± -</td></tr> </table>		0 PLC	± -	1 PLC	± -	2 PLC	± .02 [0.5]	3 PLC	± -	4 PLC	± -	ANGLES	± -	PRODUCT SPEC	RESTRICTED TO
0 PLC	± -														
1 PLC	± -														
2 PLC	± .02 [0.5]														
3 PLC	± -														
4 PLC	± -														
ANGLES	± -														
MATERIAL SECC ALLOUTS		FINISH SEE CALLOUTS	SIZE A1 CAGE CODE 00779 DRAWING NO 846950 WEIGHT - CUSTOMER DRAWING												
		SCALE 1:1	SHEET 1 OF 1 REV AB												

单击下面可查看定价，库存，交付和生命周期等信息

[>>TE Connectivity\(泰科\)](#)