
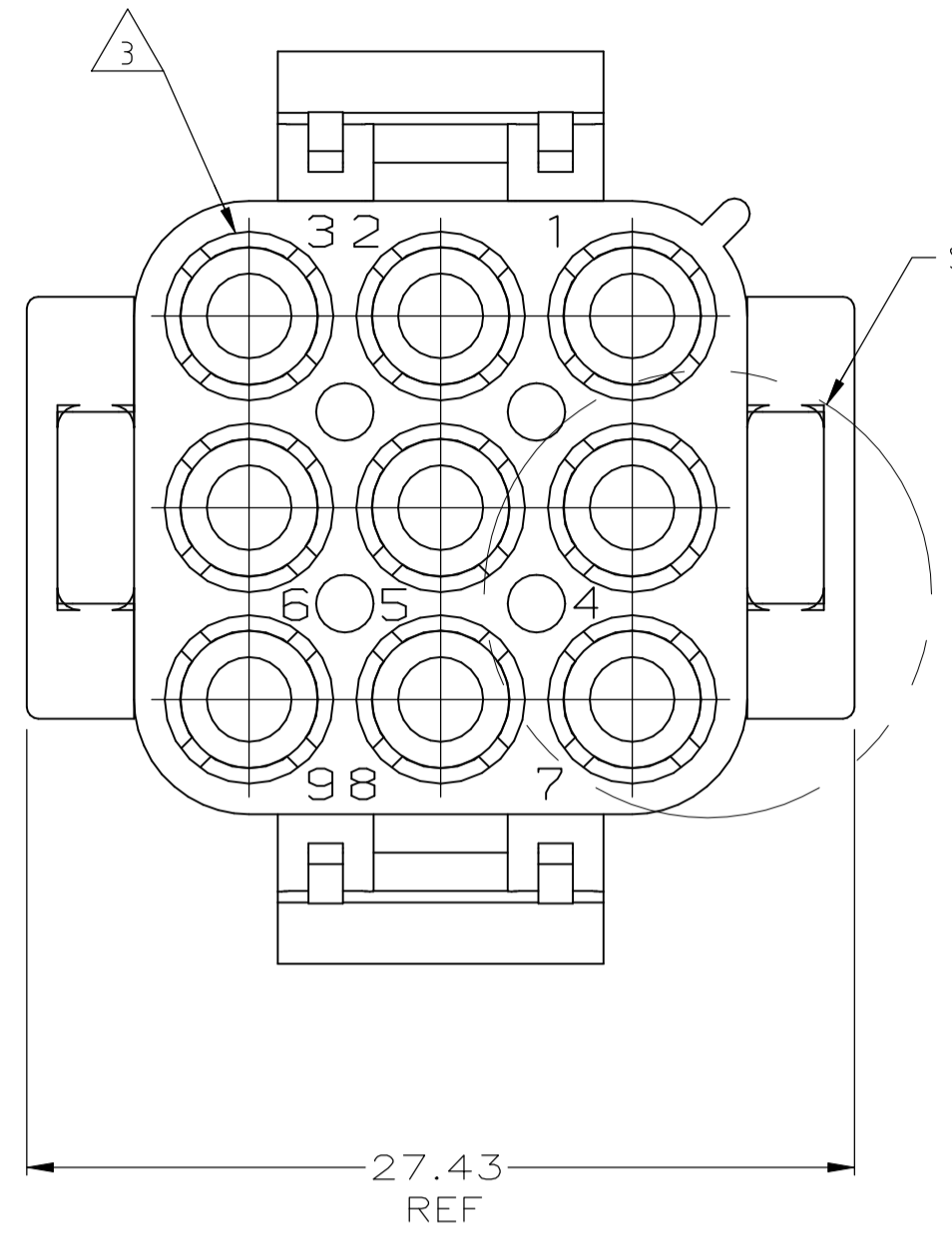
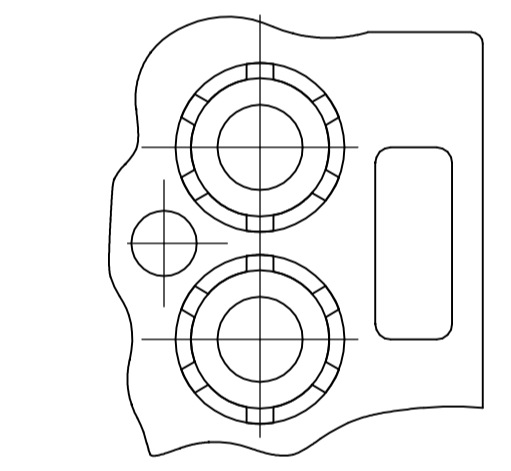
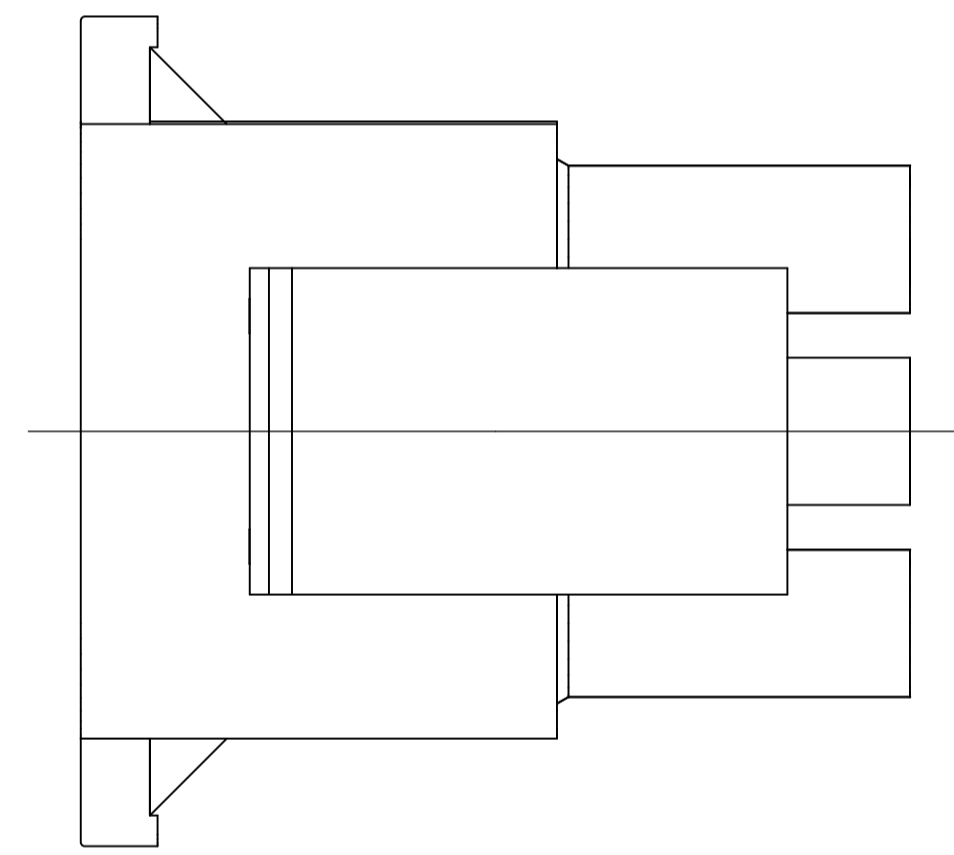
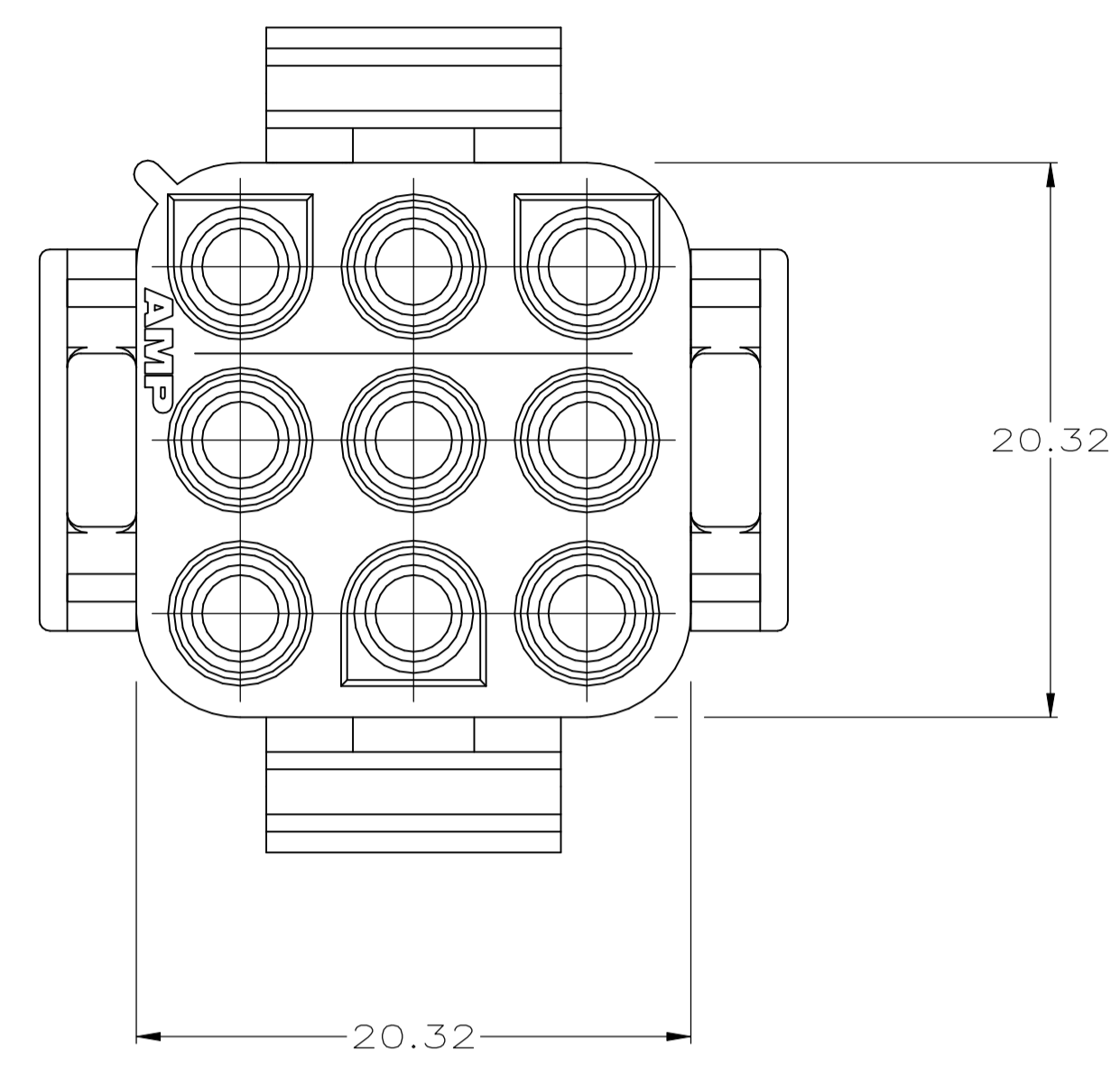
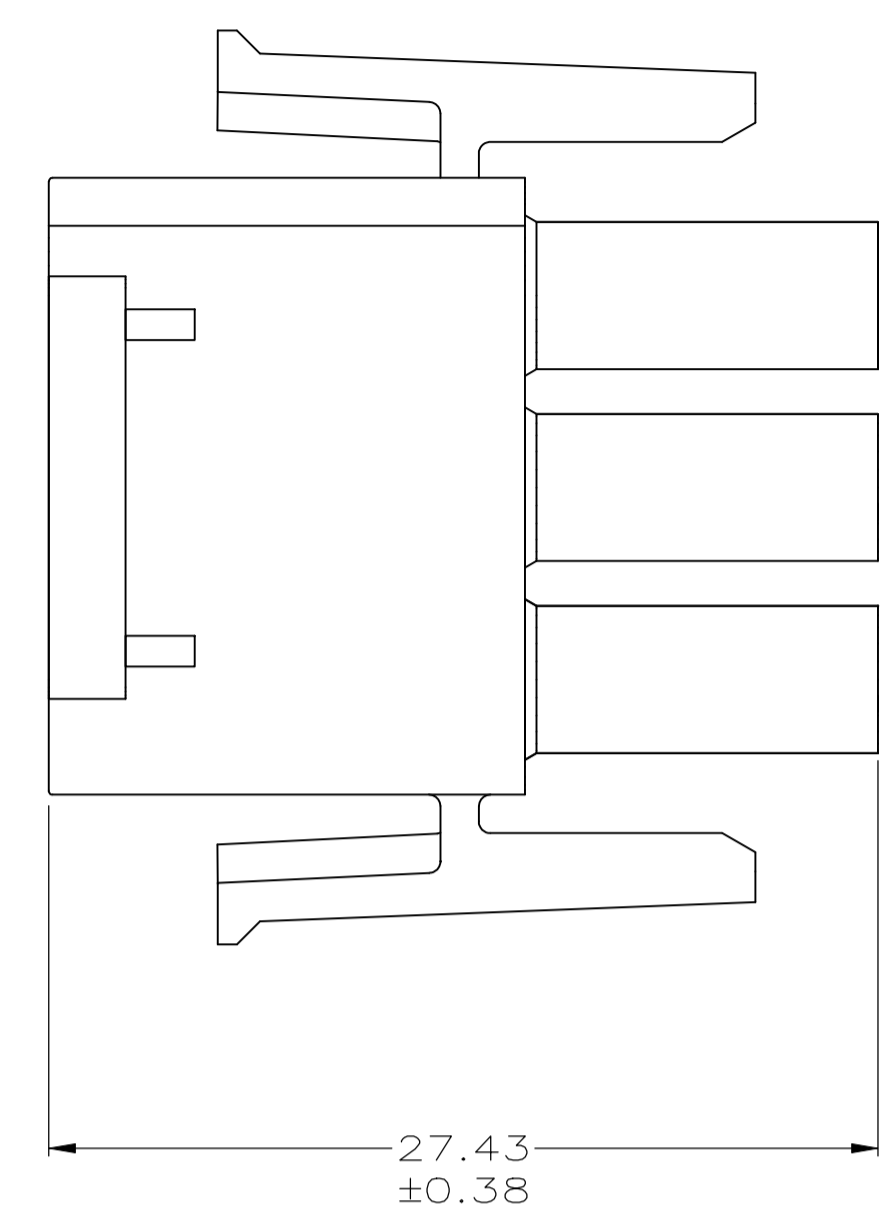


REVISIONS				
P	LTR	DESCRIPTION	DATE	DMN APVD
A1		REVISED PER ECR-17-015922	06NOV2017	BDA KR

- 1 MATES WITH APPROPRIATE UNIVERSAL MATE-N-LOK™ CAP OR HEADER.
- 2 SMALL NICKS ARE PERMITTED ON THE CIRCUIT TOWERS WHICH COULD INCREASE THE INITIAL HOUSING MATING FORCE BY UP TO 4.4 NEWTON (1.0 LBS). NO INDIVIDUAL NICKED TOWER SHALL INCREASE THIS FORCE BY OVER 2.2 NEWTONS (.5 LBS).
- 3  FOUR RIBS EQUALLY SPACED, NO SPECIFIC ORIENTATION. SIX RIBS EQUALLY SPACED, NO SPECIFIC ORIENTATION, OPTIONAL.
- 4 150° C TEMPERATURE RATING FOR THIS HOUSING IS FOR SHORT TERM DURATION. MAX OPERATING TEMPERATURE REMAINS 125° C.
- 5 PHOSPHOR BRONZE CONTACTS SHOULD ALWAYS BE USED WITH THIS HOUSING.
- 6 DIMENSIONS SHOWN REPRESENT PRODUCT IN DRY, AS MOLDED, CONDITION. ADDITIONAL 2% GROWTH DUE TO SUBSEQUENT MOISTURE ABSORPTION MAY OCCUR AND SHOULD BE ACCOUNTED FOR.



SEE DETAIL A



DETAIL A
OPTIONAL CONSTRUCTIONS

MM	IN
27.43	1.080
20.32	.800
11.68	.460
0.38	.015
0.13	.005
MM	IN

CONVERSION TABLE

RED	2029314-1
COLOR	PART NUMBER

THIS DRAWING IS A CONTROLLED DOCUMENT.		DWG: J.R. RUTH 27SEPT10	TE Connectivity	
DIMENSIONS: mm		CHK: TOM MICHELUTTI 27SEPT10	APVD: TOM MICHELUTTI 27SEPT10	
TOLERANCES UNLESS OTHERWISE SPECIFIED:		NAME: PLUG, 9 CIRCUIT, UNIVERSAL MATE-N-LOK™		
0. PLC ± -		PRODUCT SPEC		
1. PLC ± -		APPLICATION SPEC		
2. PLC ± 0.13		SIZE: A1		
3. PLC ± -		CAGE CODE: 00779		
4. PLC ± -		DRAWING NO: 2029314		
ANGLES ± 0° 30'		RESTRICTED TO: -		
MATERIAL: NYLON, UL 94V-2		WEIGHT: -		
FINISH: -		CUSTOMER DRAWING		
		SCALE: 4:1		
		SHEET: 1 OF 1		
		REV: A1		

单击下面可查看定价，库存，交付和生命周期等信息

[>>TE Connectivity\(泰科\)](#)