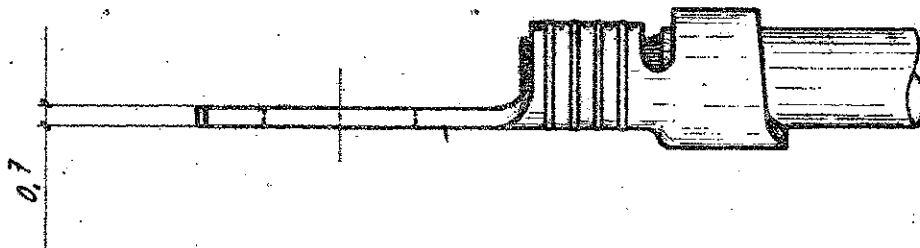
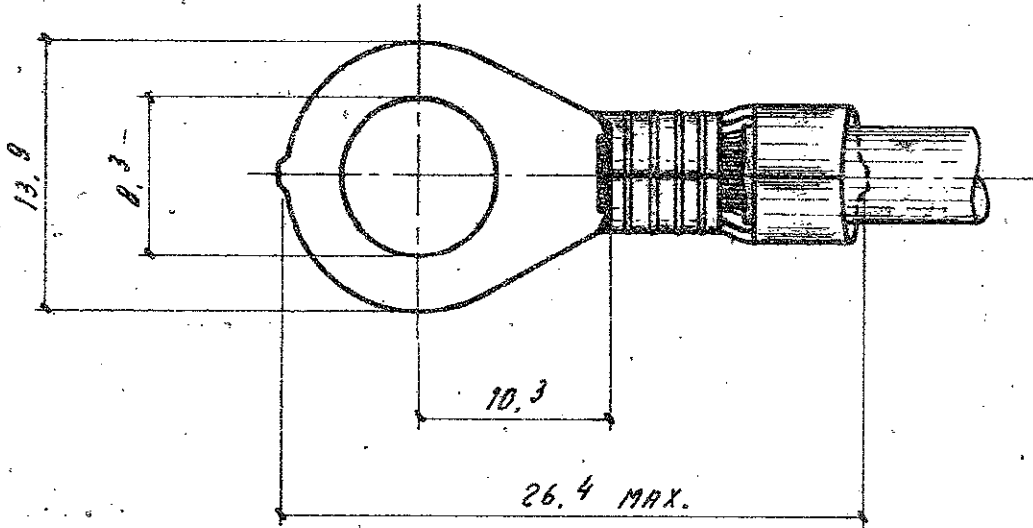


NUMBER

C-280268



DIMENSIONS IN mm DO NOT SCALE PRINT

PRINT DIST.

				© 1970 BY AMP INCORPORATED. ALL RIGHTS RESERVED. AMP PRODUCTS COVERED BY PATENTS AND/OR PATENTS PENDING.		CUSTOMER COPY REFERENCE ONLY			
E1	UPDATED	HY	2/10 1008	MATERIAL AND FINISH		AMP - ITALIA CORSO PESCHIERA 239/5 TORINO - ITALIA			
E	Revised ET00-0067-01	G.S.	09/03/01	OTTONE		AMP			
C	P/N 280268 OBSOLETE		24/2/89	OTTONE STAGNATO		CLASS			
B	TERMINALE IN PRODUZIONE		15-72	WIRE RANGE INSULATION		TYPE			
A	280268 ERA 1A-70-5072		10-12-71	4 ÷ 6 mm ² 2,0 ÷ 5,3 MA.					
LTR	REVISION RECORD	DR	CHK	DATE	TOLERANCE EXCEPT AS NOTED	SCALE	LOC	NO	REV
	7 th APRIL '70				+ 0.4 + 1.0		1	A	E1
	APRIL 70				NAME	R109 TONGUE WITH 1175. SUPPORT.			

单击下面可查看定价，库存，交付和生命周期等信息

[>>TE Connectivity\(泰科\)](#)