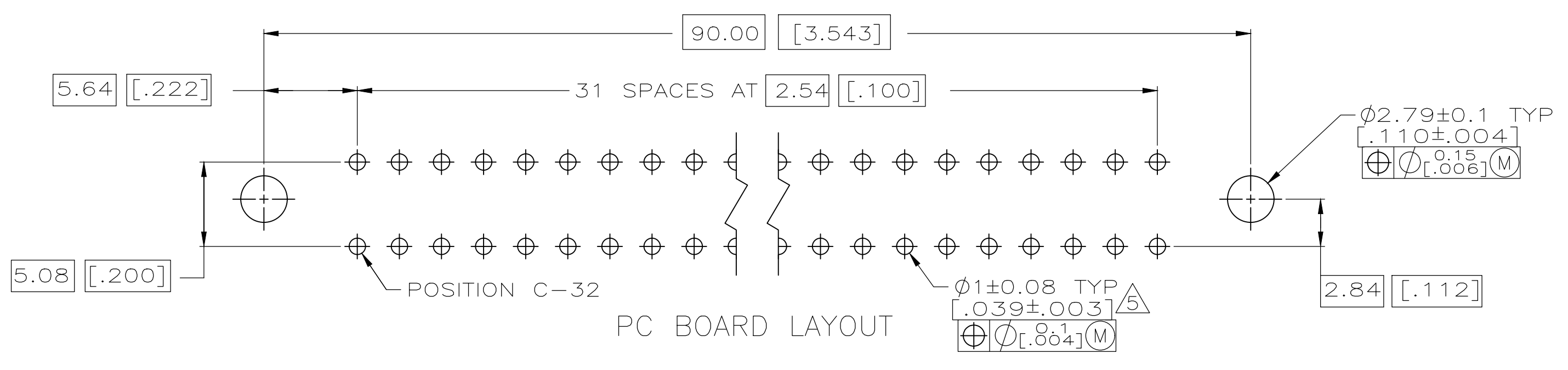
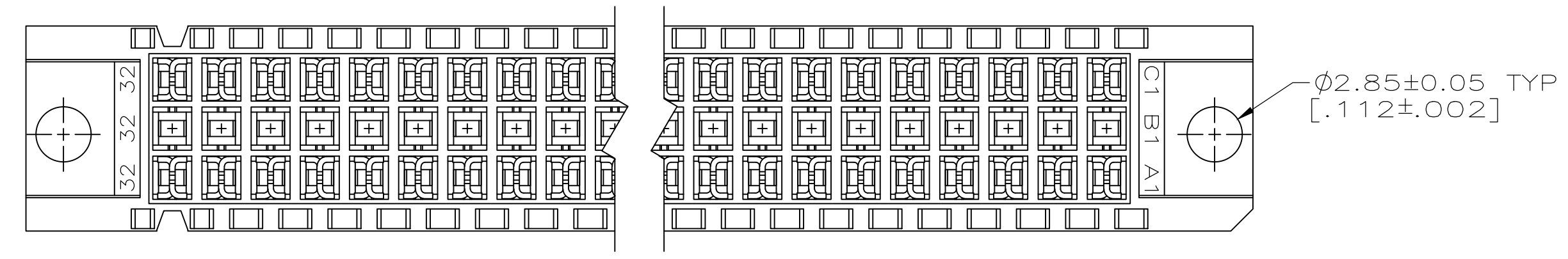
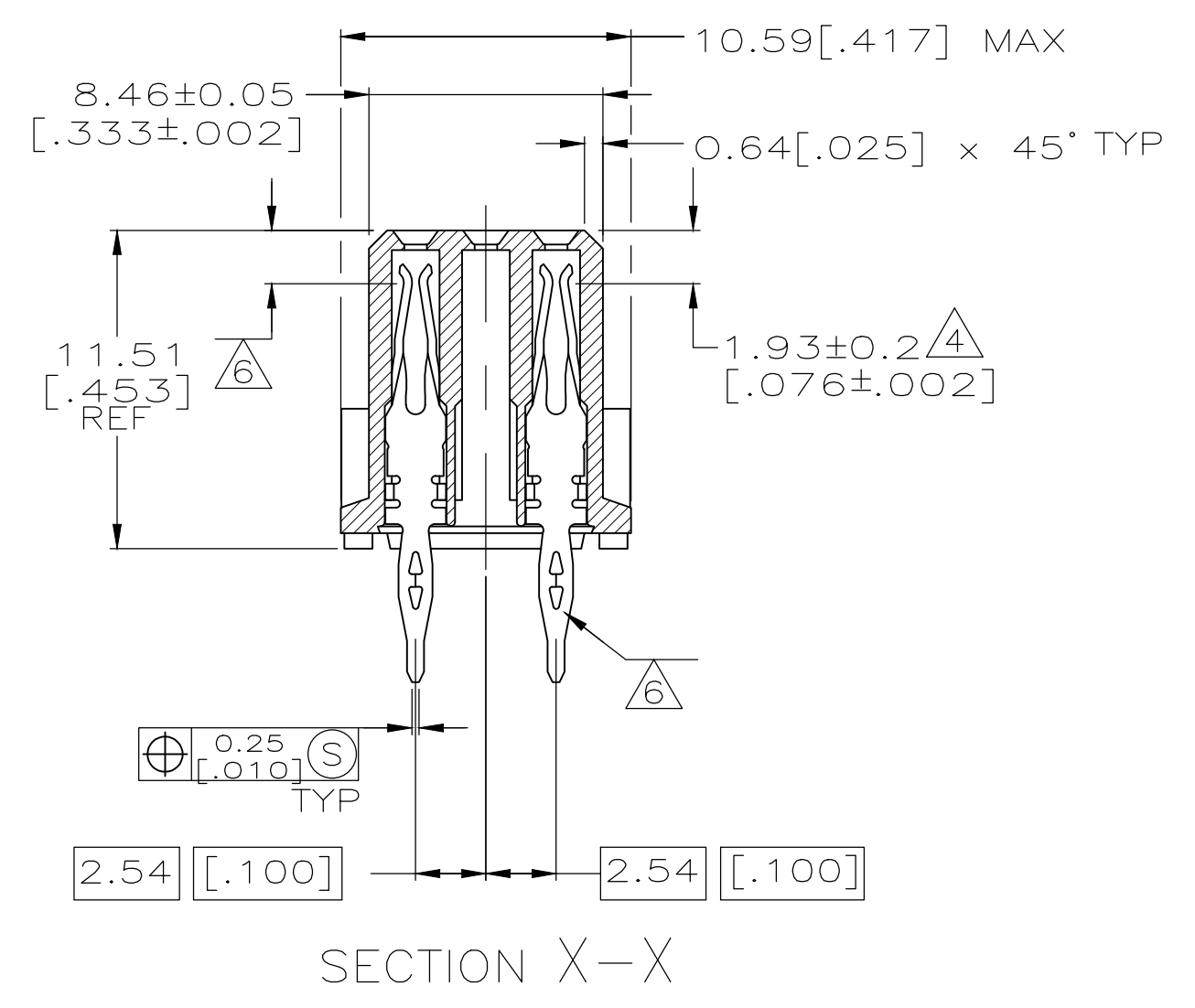
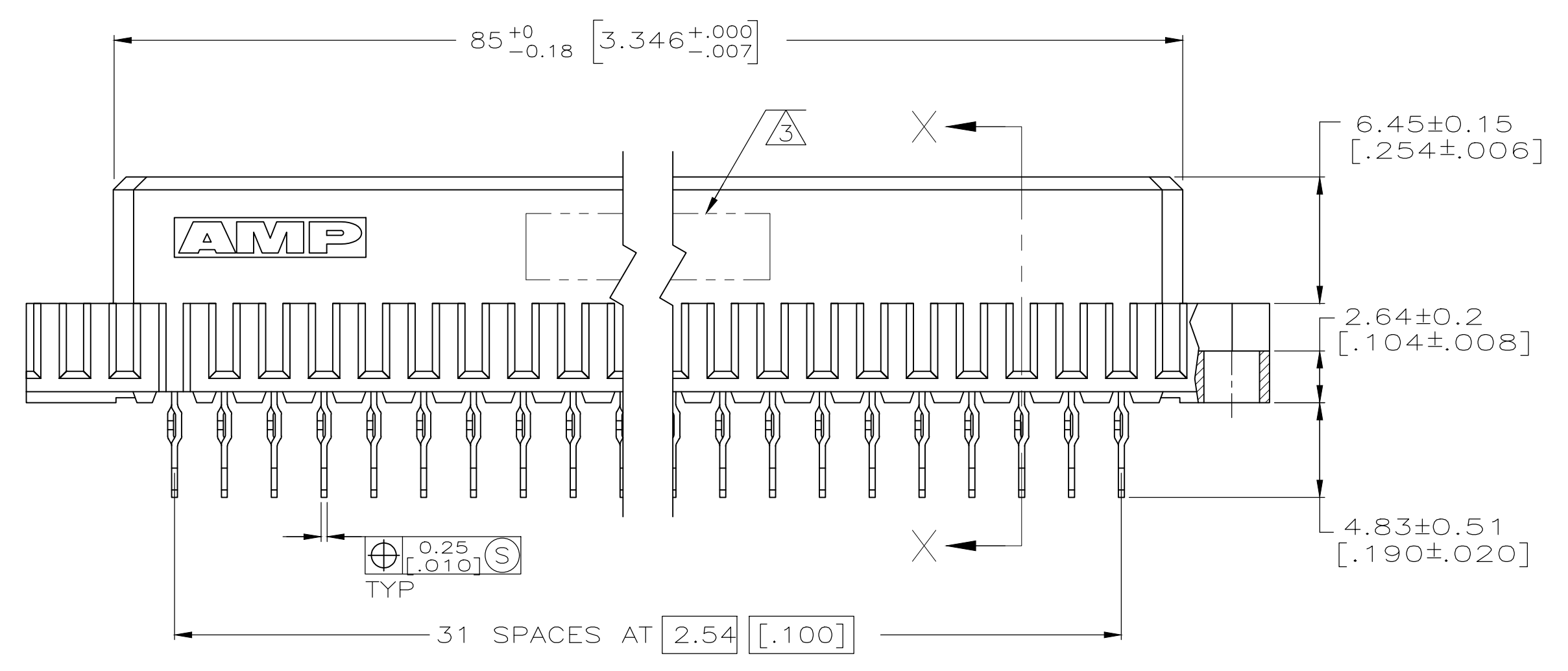
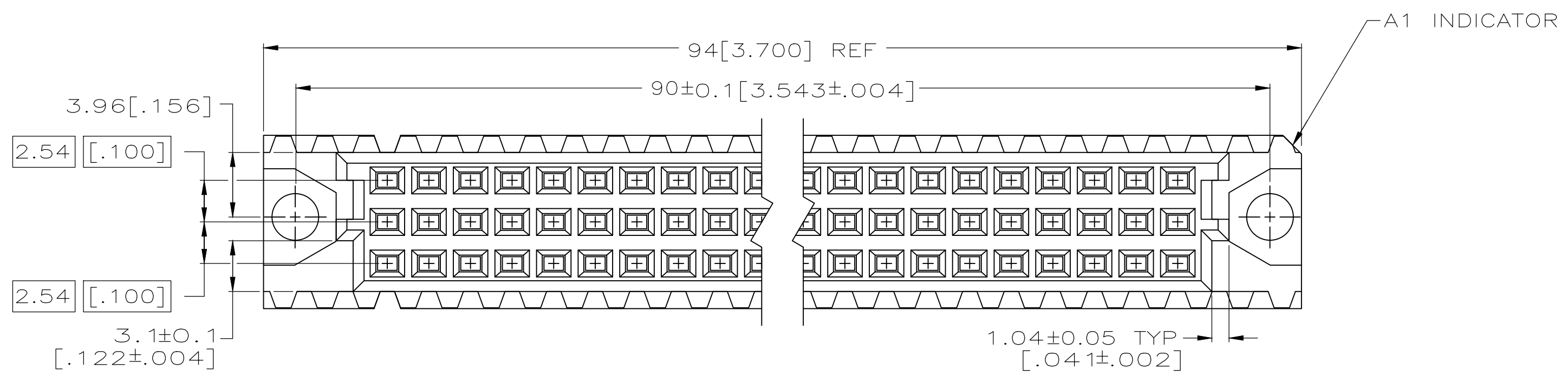


REVISIONS				
P	LTR	DESCRIPTION	DATE	BY
A		REVISED PER ECO-20-002189	16MAR2020	SY HL

- ① HOUSING MATERIAL: GLASS-FILLED POLYMER.
- ② CONTACT MATERIAL: COPPER ALLOY.
- ③ PART NUMBER, DATE CODE IDENTIFICATION, CSA LOGO IN THIS APPROXIMATE AREA.
- ④ POINT OF MEASUREMENT FOR GOLD.
- ⑤ ACTION PIN POSTS REQUIRE 1.57[.062] MIN THICK PC BOARD. RECOMMENDED PC BOARD HOLES ARE $\varnothing 1.51 \pm 0.2$ [.0453 ± .001] DRILLED HOLE WITH 0.2-0.07[.001-.003] COPPER AND 0.008[.0003] MIN TIN-LEAD PLATING. FINISHED HOLE AFTER PLATING, $\varnothing 0.94-1.09$ [.037-.043].
- ⑥ CONTACT FINISH: DIN 41612 CLASS 2 ON CONTACT AREA. TIN PLATE ON POSTS.



OBsolete	⑥	1 THRU 32	X	=	X	64	5535059-5
	⑥	1 THRU 32	X	-	X	64	5535059-4
		FINISH				POSITIONS LOADED	NO. OF LOADED POSITION
						C B A	ASSY PART NUMBER

THIS DRAWING IS A CONTROLLED DOCUMENT.		DIN J. POLIGNONE 03JUN05	 TE Connectivity
DIMENSIONS: mm [INCHES]		CHK: A. SHARPE 03JUN05	
TOLERANCES UNLESS OTHERWISE SPECIFIED:		APVD: A. SHARPE 03JUN05	NAME: ASSY, REC, EUROCARD, TYPE C, LEAD-FREE, 64/96 POS, 4.83 TOOLLESS PRESS-FIT,
0 PLC	± -	APPLICATION SPEC	SIZE: A1
1 PLC	± -		CODE: 00779
2 PLC	± 0.13[.005]		DRAWING NO: 5535059
3 PLC	± -		RESTRICTED TO
4 PLC	± -		WEIGHT: 0.000000
ANGLES	± -		CUSTOMER DRAWING
			SCALE: 4:1
			SHEET: 1 OF 1
			REV: A

单击下面可查看定价，库存，交付和生命周期等信息

[>>TE Connectivity\(泰科\)](#)