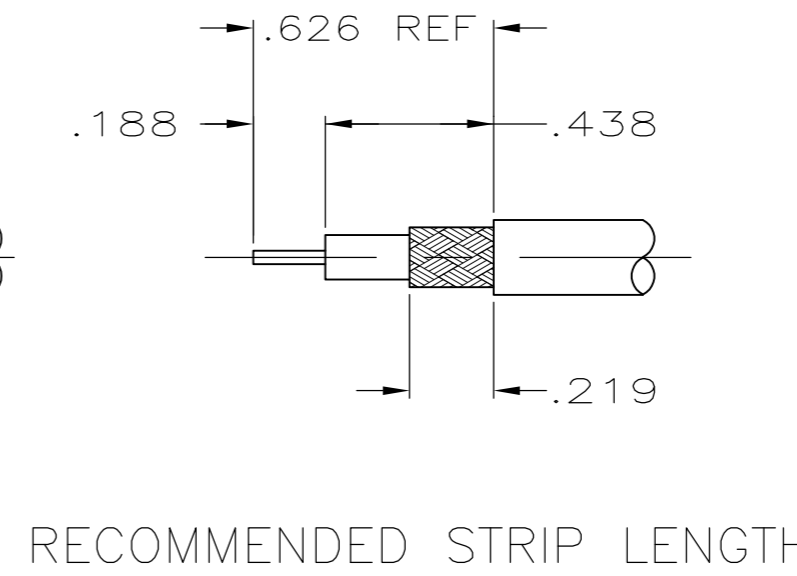
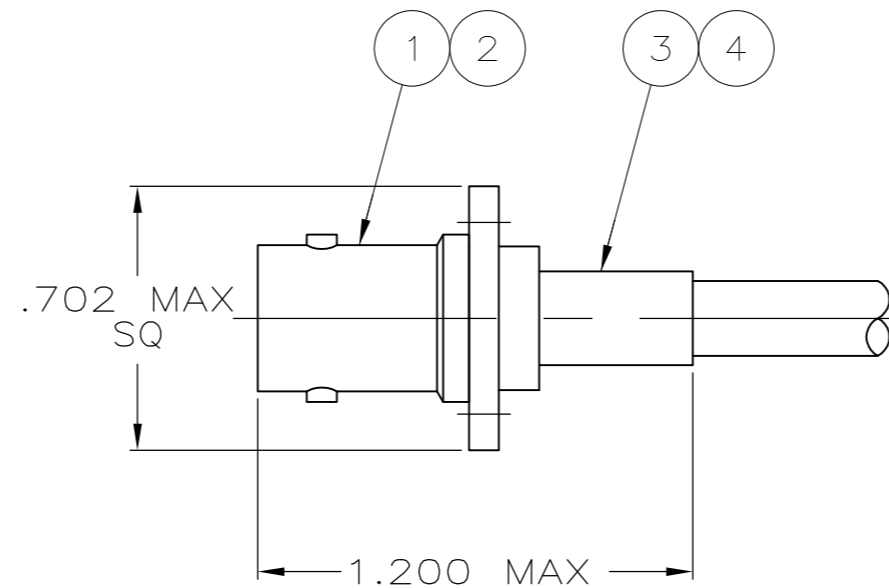
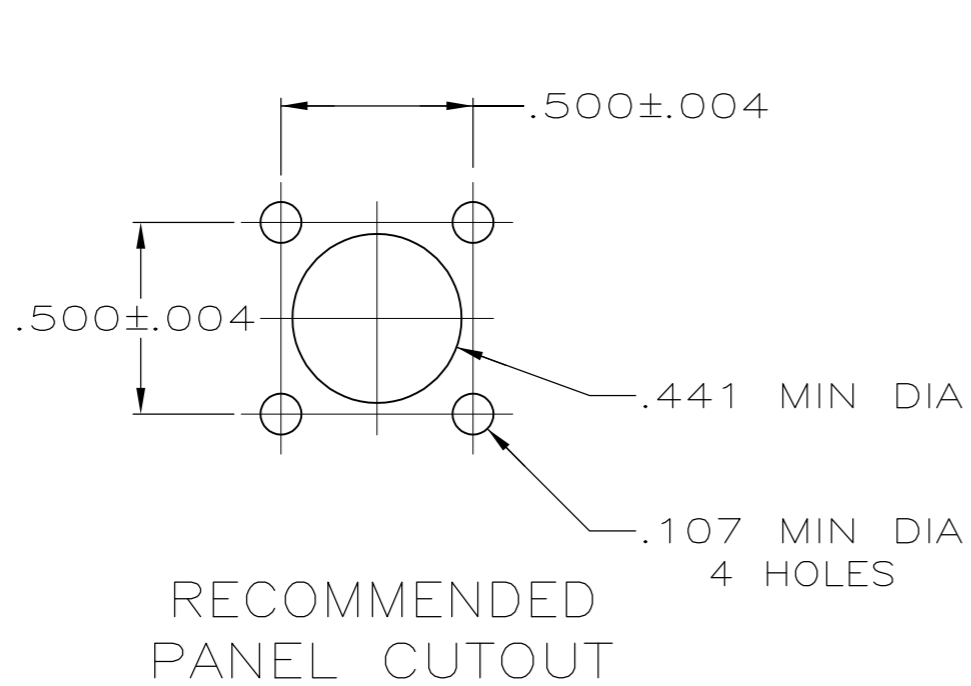


THIS DRAWING IS UNPUBLISHED. RELEASED FOR PUBLICATION  
 © COPYRIGHT BY TYCO ELECTRONICS CORPORATION. ALL RIGHTS RESERVED.

LOC	DIST	REVISIONS			
P	LTR	DESCRIPTION	DATE	DWN	APVD
AJ	16	0	REV PER EC-0S14-0496-04	31JAN2005	AF JL
		01	REVISED PER ECO-09-024606	31OCT09	KK AEG



△ 1 SEE I.S. 1914-4

△ 2 OBSOLETE PARTS: OBSOLETE CIS STREAMLINING PER D.RENAUD/D.SINISI

	RG0174/U, 188/U, 316/U	220009-1	.023583 LB	21427-2	9-328666-0	1-331368-2	1-331791-4	5225397-7
	RG-59B/U & 62B/U	69477-1	.024369 LB	_____	9-50428-0	2-331368-3	1-331791-3	5225397-2
△ 2 OBSOLETE	RG-58/U, 58A/U, 58B/U & 58C/U	69478-1	.391 OZ	_____	9-50427-1	1-331369-6	1-331791-2	<del>5225397-1</del>
	FOR USE WITH CABLE:	CRIMPING TOOL	WEIGHT	4 BUSHING QTY=1	3 FERRULE QTY=1	2 CONTACT QTY=1	1 JACK ASSY, PANEL QTY=1	PART NO

THIS DRAWING IS A CONTROLLED DOCUMENT.

DWN	31JAN2005	Tyco Electronics Corporation Harrisburg, PA 17105-3608
CHK	A. FERNANDEZ-DOCK5 31JAN2005	
APVD	J. LIPPERT 31JAN2005	
NAME	J. HAVENER	
DIMENSIONS:	TOLERANCES UNLESS OTHERWISE SPECIFIED:	JACK, PANEL, DUAL CRIMP, BNC
INCHES	0 PLC ± - 1 PLC ± - 2 PLC ± - 3 PLC ± .016 4 PLC ± - ANGLES ± - FINISH -	
MATERIAL	FINISH	SIZE CAGE CODE DRAWING NO RESTRICTED TO A2 00779 C=5225397 -
CUSTOMER DRAWING		SCALE 1:1 SHEET 1 OF 1 REV 01

单击下面可查看定价，库存，交付和生命周期等信息

[>>TE Connectivity\(泰科\)](#)