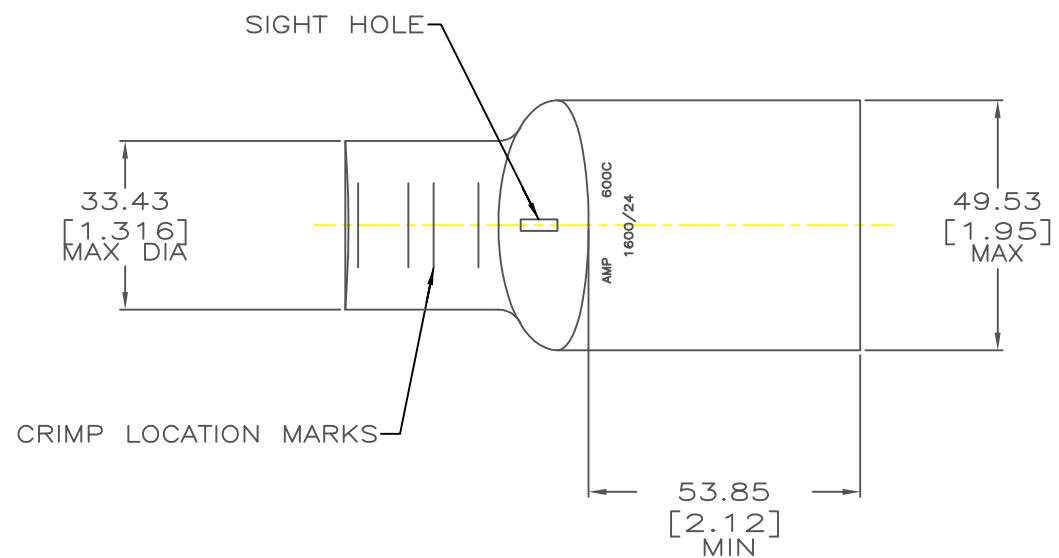


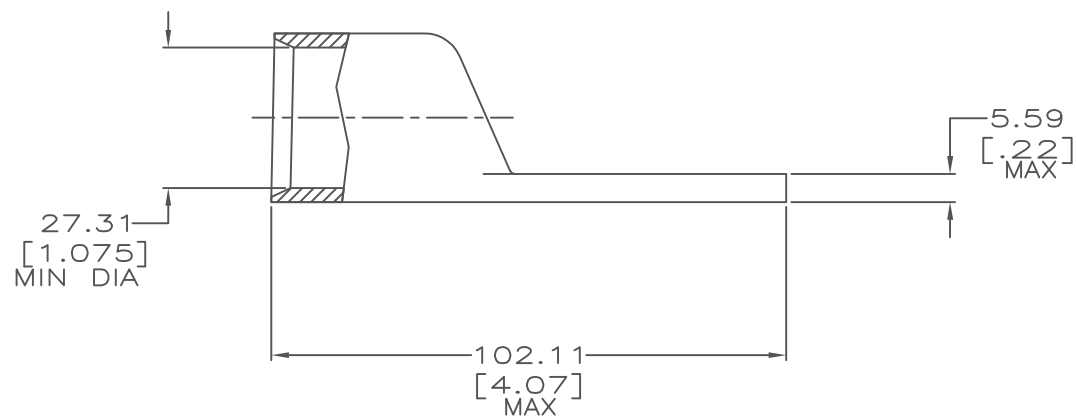
DRAWING MADE IN THIRD ANGLE PROJECTION

THIS DRAWING IS UNPUBLISHED. RELEASED FOR PUBLICATION .19  
 © COPYRIGHT 19 BY AMP INCORPORATED. ALL INTERNATIONAL RIGHTS RESERVED.

LOC	DIST	P	F	ZONE	LTR	DESCRIPTION	DATE	APPD
G	86				K	ECR-17-006035	01jun2017	MS



1 CIRCULAR MIL RANGE: 550-650 MCM



326211

DO NOT SCALE PRINT. UNLESS SPECIFIED		DR 9/17/91 DK SCHRUM	AMP INCORPORATED Harriensburg, Pa. 17105	
DIMENSIONS IN mm [INCHES]		CHK 9/17/91 AJ KAUFMAN	NAME	
TOLERANCES ON :		APPD 9/18/91 WJ VOCKROTH	TERMINAL, AMPPOWER <sup>SM</sup>	
2 PLC DEC ± 0.51[.020]		APPD 9/18/91 AJ ADELMANN	WIRE SIZE: 304.0mm <sup>2</sup> [600]MCM	
3 PLC DEC ± -		PRODUCT SPEC	-	
ANGLES ± -		APPLICATION SPEC	-	
MATERIAL		FINISH	SIZE	CAGE CODE
ANNEALED COPPER ASTM B-75		CLEANED	C	00779
		WEIGHT	SCALE	DRAWING NO
		.498 LB	1:1	326211
				SHEET 10F 1

METRIC

单击下面可查看定价，库存，交付和生命周期等信息

[>>TE Connectivity\(泰科\)](#)