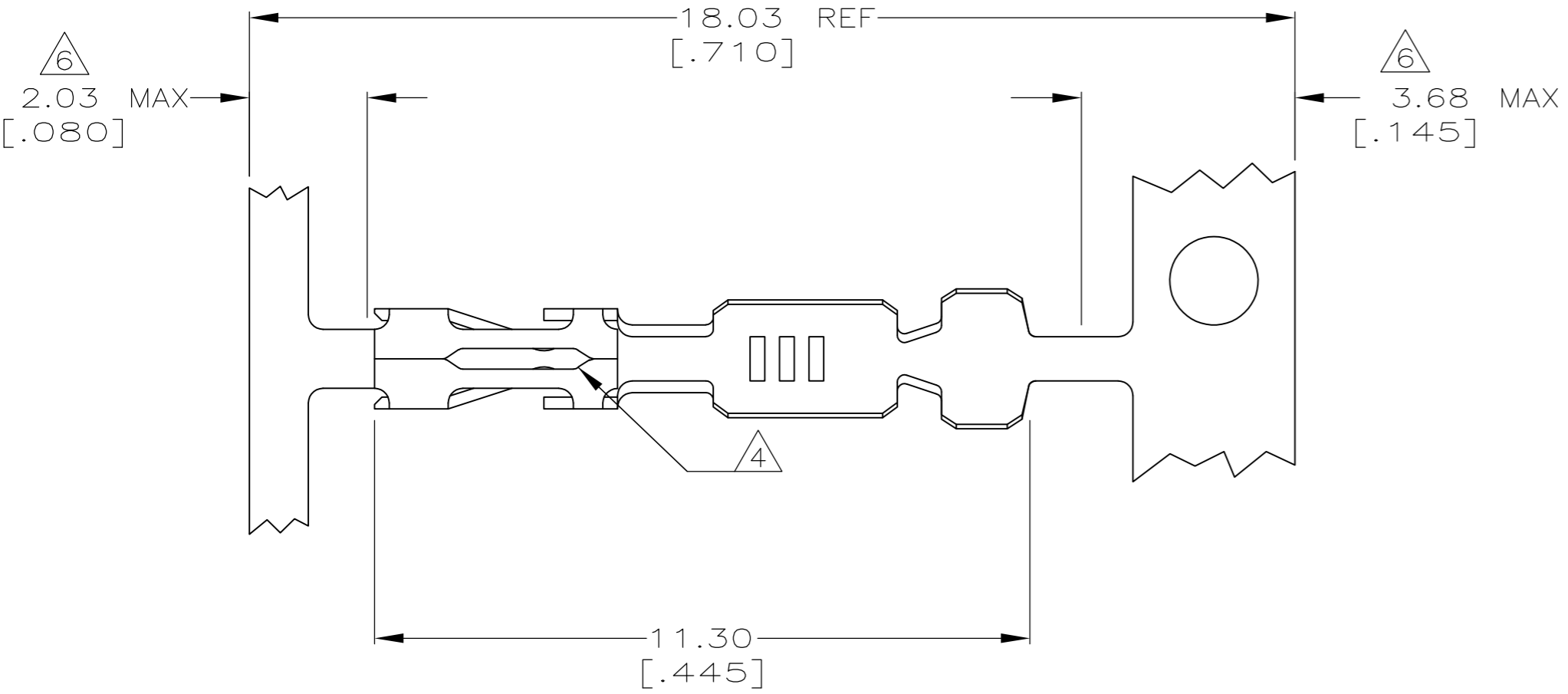
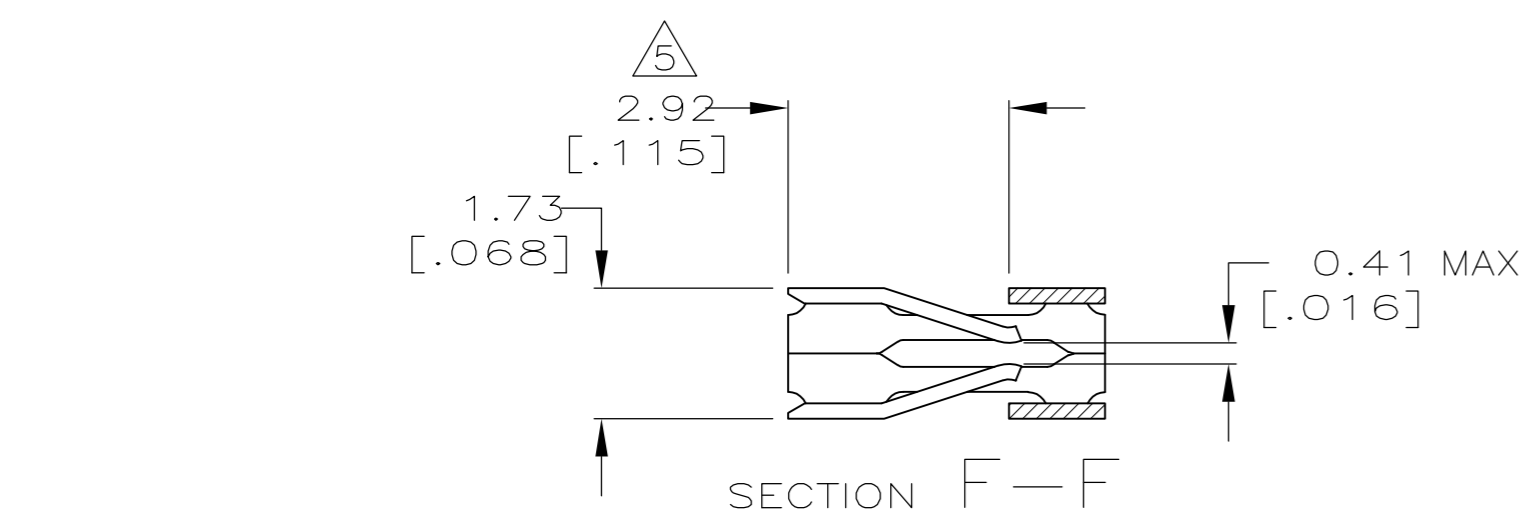
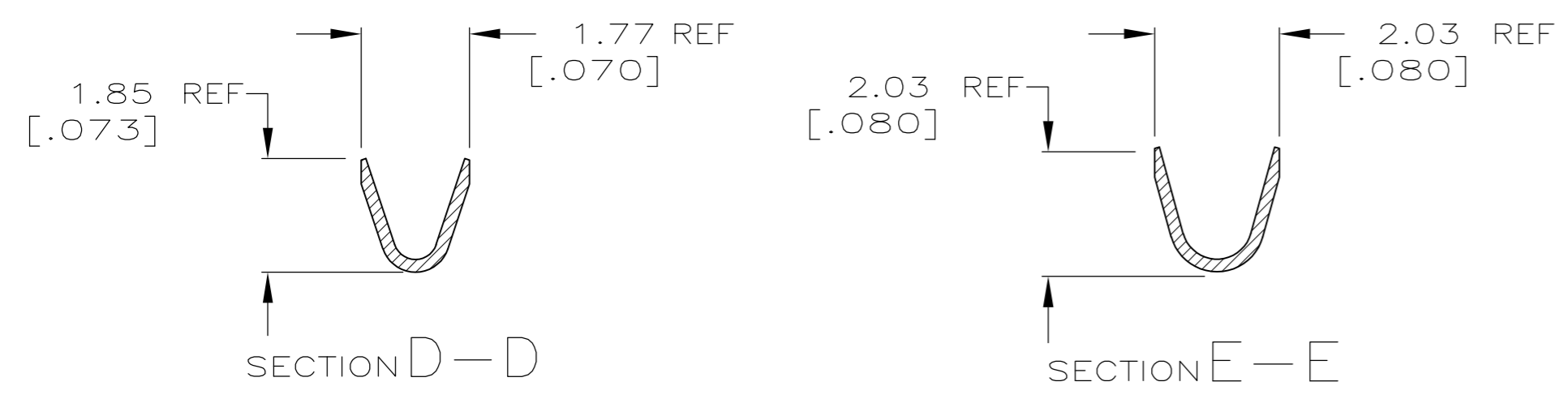
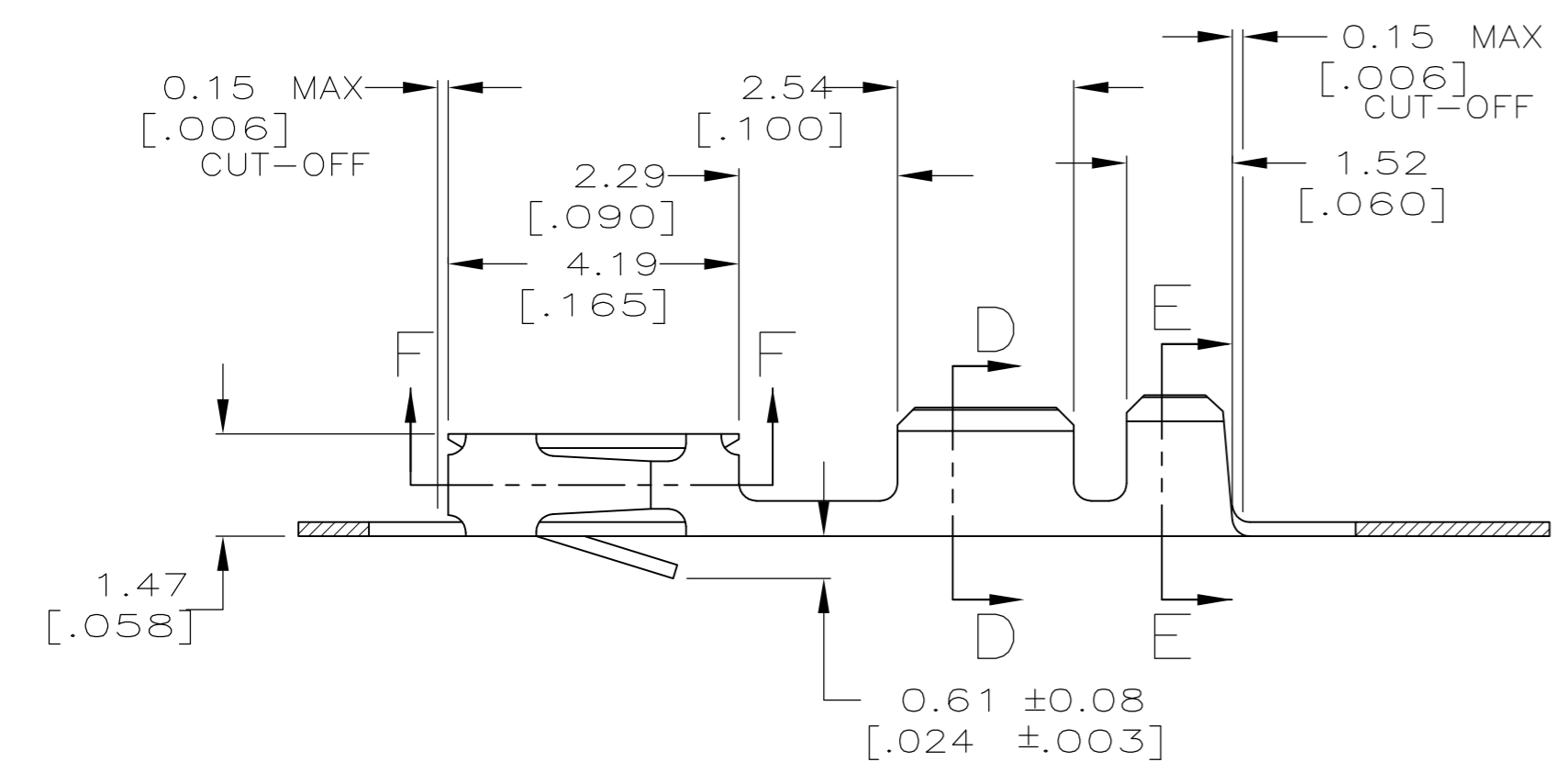


THIS DRAWING IS UNPUBLISHED. RELEASED FOR PUBLICATION
 © COPYRIGHT - By - ALL RIGHTS RESERVED.

LOC	DIST	REVISIONS			
P	LTR	DESCRIPTION	DATE	DWN	APVD
AD	39				
		K REVISED PER ECO-15-004633	30MAY2015	NK	JO



- ① REELED FOR MINI APPLICATOR.
- ② FINISH: GOLD FLASH OVER 0.00127[.000050] NICKEL, 0.000381[.000015] GOLD IN CONTACT AREA.
- ③ FINISH: GOLD FLASH OVER 0.00127[.000050] NICKEL, 0.00076[.000030] GOLD IN CONTACT AREA.
- ④ CUT OUTS ON BOX AT MANUFACTURERS OPTION.
- ⑤ POINT OF MEASUREMENT FOR PLATING THICKNESS(INSIDE BEAMS).
- ⑥ GOLD PLATING NOT REQUIRED IN THIS AREA.
- 7 WIRE RANGE #22-#26, INSULATION RANGE ϕ .061 MAX.



DESCRIPTION	FINISH	PART NUMBER
LOOSE PC.	③	102548-6
①	③	102548-5
LOOSE PC.	②	102548-3
①	②	102548-1

THIS DRAWING IS A CONTROLLED DOCUMENT.		DWN S. SHUEY 5-6-92		
DIMENSIONS: mm [INCHES]		CHK J.GESFORD 5-20-92		
TOLERANCES UNLESS OTHERWISE SPECIFIED:		APVD -	NAME	
0 PLC	± -	PRODUCT SPEC	CONTACT, CRIMP SNAP-IN, MOD IV 1/2	
1 PLC	± -	APPLICATION SPEC	-	
2 PLC	± 0.13[.005]		-	
3 PLC	± -		-	
4 PLC	± -		-	
ANGLES	± -		-	
MATERIAL CU-NI-SI	FINISH SEE TABLE	WEIGHT -	SIZE A2	CAGE CODE 00779
		CUSTOMER DRAWING	DRAWING NO C=102548	RESTRICTED TO -
		SCALE 10:1	SHEET 1 of 1	REV K

单击下面可查看定价，库存，交付和生命周期等信息

[>>TE Connectivity\(泰科\)](#)