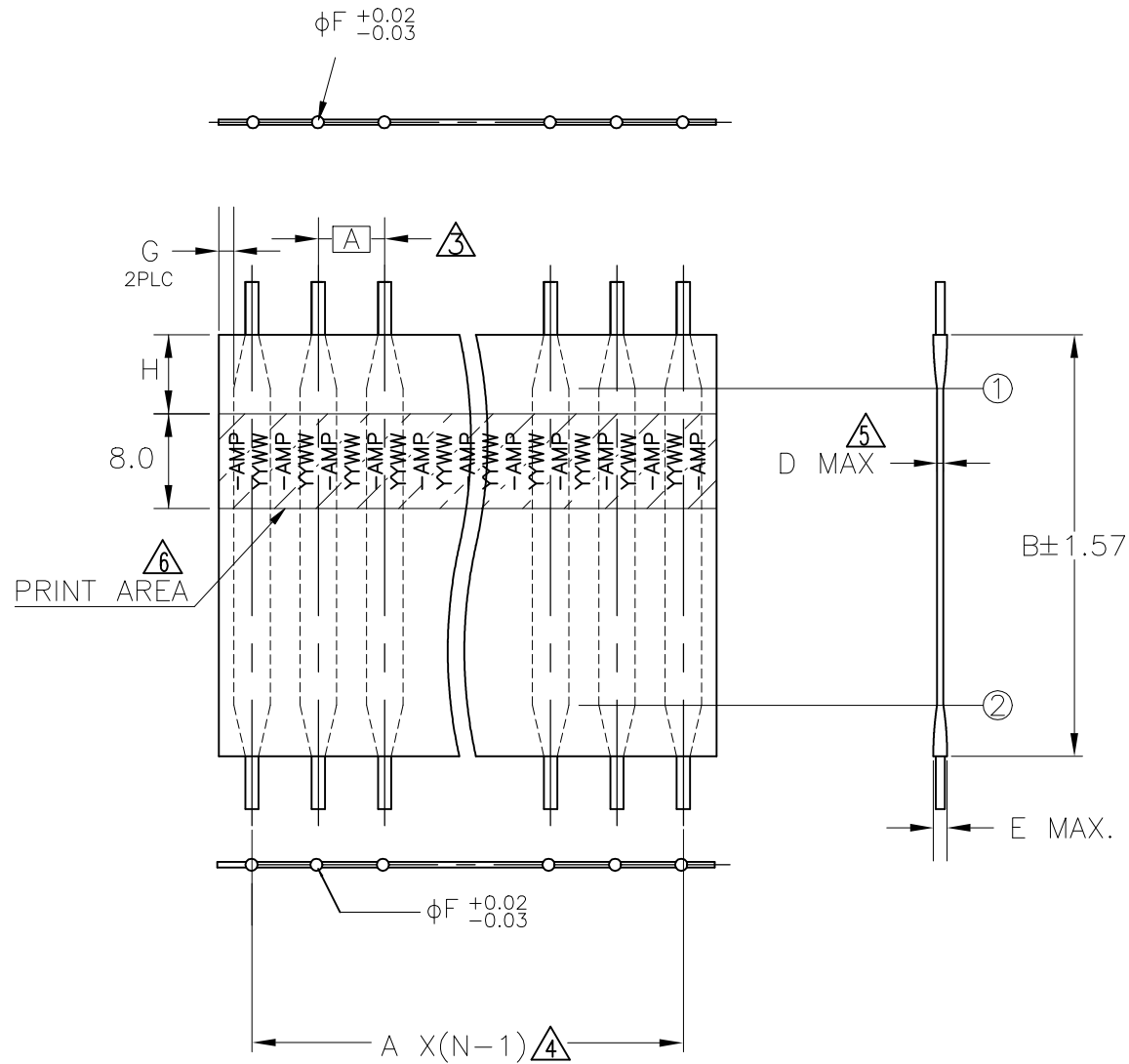
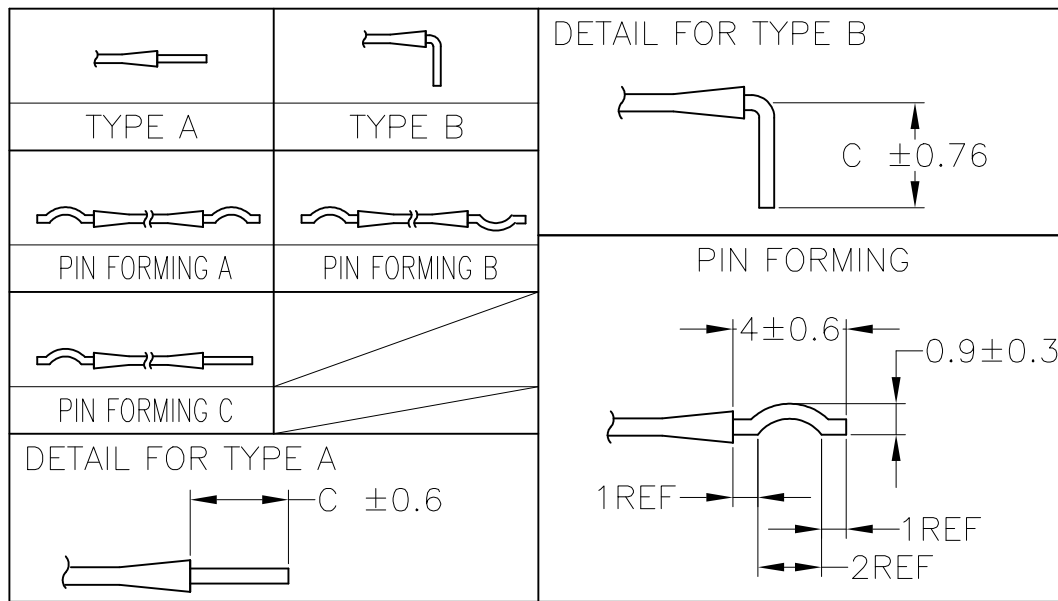


P	LTR	DESCRIPTION	DATE	DWN	APVD
	A8	REVISED	21FEB2019	H.M	P.K



- プリント基板スルーホール径： $\phi 0.94 \pm 0.025$
また、スルーホールピッチ公差は ± 0.127 である（参考）
RECOMMENDED THROUGH HOLE DIA. FOR P.C.BOARD： $\phi 0.94 \pm 0.025$
THROUGH HOLE PITCH TOLERANCE： ± 0.127
 - 本仕様から逸脱する場合は、必ず仕様打合わせを行うこと。
THE SPECIFICATION NEEDS TO BE DISCUSSED WHEN ANY OTHER CHANGE HAPPENED.
 - リード位置寸法は、リード根元寸法とする。
LEAD'S POSITIONAL DIMENSION IS MEASURED AT THE EDGE OF PAPER.
 - 公差は以下の表を参照。
TOLERANCE CHART
- | PITCH | 2~30PINS | 31~50PINS |
|-----------|------------|------------|
| 2.30~5.08 | ± 0.35 | ± 0.40 |
| 1.78~2.00 | ± 0.30 | ± 0.35 |
| 0.80~1.50 | ± 0.30 | ± 0.35 |
- ⑤ D寸法は、①～②間のワイヤー部の厚さを指す。
DIMENSION D INDICATES WIRE THICKNESS BETWEEN ① AND ②.
- ⑥ 製品に印字を行う。
PRINT ON PRODUCT.

PRINT CHARACTER	PRINT LOCATION	
-AMP	B	H
YYWW	12.7~16.0	1.0mm
	18.0~25.4	7.0mm
	28.0~152.4	10.0mm


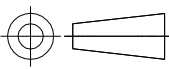


THIS DRAWING IS A CONTROLLED DOCUMENT.		DWN H.OSABE 14JAN2014	TE Connectivity Ltd.	
		CHK M.HARASAWA 14JAN2014		
		APVD N.YAMASAKI 14JAN2014	NAME FLEXSTRIP JUMPER	
DIMENSIONS: mm		PRODUCT SPEC 108-78002	-	
TOLERANCES UNLESS OTHERWISE SPECIFIED:		APPLICATION SPEC -	-	
0 PLC ± -		SIZE A3	CAGE CODE 00779	DRAWING NO C-1447169
1 PLC ± -		WEIGHT 0	RESTRICTED TO -	
2 PLC ± -		CUSTOMER DRAWING		
3 PLC ± -		SCALE NTS		
4 PLC ± -		SHEET 1 OF 9		
ANGLES ± -		REV A8		
FINISH -				

P	LTR	DESCRIPTION	DATE	DWN	APVD
-	-	SEE SHEET 1	-	-	-

FS1.27N, FS1.78N SERIES


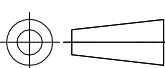
P/N	Description	Pitch (A)	Tape Length (B)	Pin Length (C)	Tape Thickness (D)	Tape Thickness (E)	Pin Diameter (F)	Margin (G)	POS
1-1447169-5	FS1.27N1.6A11 =JUMPER NOMEX	1.27	18.0	3.18	0.35MAX	0.84MAX	φ0.32	0.25MIN	11
2-1447169-8	FS1.27N3.3A30 =JUMPER NOMEX	1.27	33.0	3.18	0.35MAX	0.84MAX	φ0.32	0.25MIN	30
7-1447169-8	FS1.78N25.4A30 =JUMPER NOMEX	1.78	25.4	3.18	0.35MAX	0.84MAX	φ0.40	0.25MIN	30
8-1447169-9	FS1.78N38.1A40 =JUMPER NOMEX	1.78	38.1	3.18	0.35MAX	0.84MAX	φ0.40	0.25MIN	40
1447170-7	FS1.78N63.5A40 =JUMPER NOMEX	1.78	63.5	3.18	0.35MAX	0.84MAX	φ0.40	0.25MIN	40
1447170-8	FS1.78N63.5A5 =JUMPER NOMEX	1.78	63.5	3.18	0.35MAX	0.84MAX	φ0.40	0.25MIN	5
1-1447170-4	FS1.78N76.2A30 =JUMPER NOMEX	1.78	76.2	3.18	0.35MAX	0.84MAX	φ0.40	0.25MIN	30

THIS DRAWING IS A CONTROLLED DOCUMENT.		DWN	-	 TE Connectivity Ltd.	
DIMENSIONS: mm		CHK	-		
		APVD	-		
TOLERANCES UNLESS OTHERWISE SPECIFIED:		SEE SHEET 1		NAME	
0 PLC ± -		PRODUCT SPEC		FLEXSTRIP JUMPER	
1 PLC ± -		108-78002		-	
2 PLC ± -		APPLICATION SPEC		-	
3 PLC ± -		-		SIZE	A3
4 PLC ± -		WEIGHT		CAGE CODE	00779
ANGLES ± -		0		DRAWING NO	C-1447169
MATERIAL		-		RESTRICTED TO	-
FINISH		-		SCALE	NTS
		CUSTOMER DRAWING		SHEET	2 OF 9
				REV	A8

P	LTR	DESCRIPTION	DATE	DWN	APVD
-	-	SEE SHEET 1	-	-	-

FS2.54N SERIES

P/N	Description	Pitch (A)	Tape Length (B)	Pin Length (C)	Tape Thickness (D)	Tape Thickness (E)	Pin Diameter (F)	Margin (G)	POS
9-1447170-8	FS2.54N15A18 =JUMPER NOMEM	2.54	15.0	3.18	0.35MAX	0.84MAX	ø 0.51	0.25MIN	18
1447171-3	FS2.54N15A5 =JUMPER NOMEM	2.54	15.0	3.18	0.35MAX	0.84MAX	ø 0.51	0.25MIN	5
1447171-5	FS2.54N15A8 =JUMPER NOMEM	2.54	15.0	3.18	0.35MAX	0.84MAX	ø 0.51	0.25MIN	8
1447171-6	FS2.54N18A10 =JUMPER NOMEM	2.54	16.0	3.18	0.35MAX	0.84MAX	ø 0.51	0.25MIN	10
2-1447171-0	FS2.54N17A8 =JUMPER NOMEM	2.54	17.0	3.18	0.35MAX	0.84MAX	ø 0.51	0.25MIN	8
2-1447171-6	FS2.54N18A4 =JUMPER NOMEM	2.54	18.0	3.18	0.35MAX	0.84MAX	ø 0.51	0.25MIN	4
3-1447171-5	FS2.54N20A20 =JUMPER NOMEM	2.54	20.0	3.18	0.35MAX	0.84MAX	ø 0.51	0.25MIN	20
4-1447171-1	FS2.54N21A12 =JUMPER NOMEM	2.54	21.0	3.18	0.35MAX	0.84MAX	ø 0.51	0.25MIN	12
4-1447171-9	FS2.54N30A10 =JUMPER NOMEM	2.54	30.0	3.18	0.35MAX	0.84MAX	ø 0.51	0.25MIN	10
5-1447171-8	FS2.54N30A15 =JUMPER NOMEM	2.54	30.0	3.18	0.35MAX	0.84MAX	ø 0.51	0.25MIN	15
6-1447171-2	FS2.54N30A17 =JUMPER NOMEM	2.54	30.0	3.18	0.35MAX	0.84MAX	ø 0.51	0.25MIN	17
6-1447171-3	FS2.54N30A18 =JUMPER NOMEM	2.54	30.0	3.18	0.35MAX	0.84MAX	ø 0.51	0.25MIN	18
6-1447171-6	FS2.54N30A20 =JUMPER NOMEM	2.54	30.0	3.18	0.35MAX	0.84MAX	ø 0.51	0.25MIN	20
8-1447171-3	FS2.54N30A4 =JUMPER NOMEM	2.54	30.0	3.18	0.35MAX	0.84MAX	ø 0.51	0.25MIN	4
8-1447171-5	FS2.54N30A7 =JUMPER NOMEM	2.54	30.0	3.18	0.35MAX	0.84MAX	ø 0.51	0.25MIN	7
8-1447171-8	FS2.54N30A9 =JUMPER NOMEM	2.54	30.0	3.18	0.35MAX	0.84MAX	ø 0.51	0.25MIN	9
9-1447171-0	FS2.54N33A10 =JUMPER NOMEM	2.54	33.0	3.18	0.35MAX	0.84MAX	ø 0.51	0.25MIN	10
9-1447171-3	FS2.54N35A13 =JUMPER NOMEM	2.54	35.0	3.18	0.35MAX	0.84MAX	ø 0.51	0.25MIN	13
9-1447171-8	FS2.54N35A19 =JUMPER NOMEM	2.54	35.0	3.18	0.35MAX	0.84MAX	ø 0.51	0.25MIN	19
2-1447172-0	FS2.54N40A22P39 =JUMPER NOMEM	2.54	40.0	3.90	0.35MAX	0.84MAX	ø 0.51	0.25MIN	22
2-1447172-9	FS2.54N40A28 =JUMPER NOMEM	2.54	40.0	3.18	0.35MAX	0.84MAX	ø 0.51	0.25MIN	28
3-1447172-5	FS2.54N40A6 =JUMPER NOMEM	2.54	40.0	3.18	0.35MAX	0.84MAX	ø 0.51	0.25MIN	6
3-1447172-7	FS2.54N40A8 =JUMPER NOMEM	2.54	40.0	3.18	0.35MAX	0.84MAX	ø 0.51	0.25MIN	8
1473635-1	FS2.54N42A20 =JUMPER NOMEM	2.54	42.0	3.18	0.35MAX	0.84MAX	ø 0.51	0.25MIN	20
1717056-4	FS2.54N55A15 =JUMPER NOMEM	2.54	55.0	3.18	0.35MAX	0.84MAX	ø 0.51	0.25MIN	15
5-1447172-2	FS2.54N55A18 =JUMPER NOMEM	2.54	55.0	3.18	0.35MAX	0.84MAX	ø 0.51	0.25MIN	18
5-1447172-6	FS2.54N55A30 =JUMPER NOMEM	2.54	55.0	3.18	0.35MAX	0.84MAX	ø 0.51	0.25MIN	30
5-1447172-7	FS2.54N55A6 =JUMPER NOMEM	2.54	55.0	3.18	0.35MAX	0.84MAX	ø 0.51	0.25MIN	6
1717056-3	FS2.54N65A8 =JUMPER NOMEM	2.54	55.0	3.18	0.35MAX	0.84MAX	ø 0.51	0.25MIN	5
5-1447172-9	FS2.54N68A22 =JUMPER NOMEM	2.54	58.0	3.18/4.5	0.35MAX	0.84MAX	ø 0.51	0.25MIN	22
6-1447172-3	FS2.54N70A17PA =JUMPER (PA4.0)	2.54	70.0	4.00	0.35MAX	0.84MAX	ø 0.51	0.25MIN	17

THIS DRAWING IS A CONTROLLED DOCUMENT.		DWN	-	 TE Connectivity Ltd.	
DIMENSIONS: mm		CHK	-		
		APVD	-		
TOLERANCES UNLESS OTHERWISE SPECIFIED:		SEE SHEET 1		NAME	
0 PLC ± -		PRODUCT SPEC		FLEXSTRIP JUMPER	
1 PLC ± -		108-78002		-	
2 PLC ± -		APPLICATION SPEC		-	
3 PLC ± -		-		SIZE	A3
4 PLC ± -		WEIGHT		CAGE CODE	00779
ANGLES ± -		-		DRAWING NO	C-1447169
MATERIAL		-		RESTRICTED TO	-
FINISH		-		CUSTOMER DRAWING	SCALE NTS
				SHEET	3 of 9
				REV	A8

P	LTR	DESCRIPTION	DATE	DWN	APVD
-	-	SEE SHEET 1	-	-	-

FS2N SERIES NO.1

PN	Description	Pitch (A)	Tape Length (B)	Pin Length (C)	Tape Thickness (D)	Tape Thickness (E)	Pin Diameter (F)	Margin (G)	POS
7-1447173-2	FS2N101.6A12PA =JUMPER NOMEX	2.00	101.6	4.00	0.35MAX	0.84MAX	φ 0.40	0.25MIN	12
7-1447173-9	FS2N101.6A16PA =JUMPER NOMEX	2.00	101.6	4.00	0.35MAX	0.84MAX	φ 0.40	0.25MIN	16
8-1447173-2	FS2N101.6A20 =JUMPER NOMEX	2.00	101.6	3.18	0.35MAX	0.84MAX	φ 0.40	0.25MIN	20
8-1447173-9	FS2N101.6A3 =JUMPER NOMEX	2.00	101.6	3.18	0.35MAX	0.84MAX	φ 0.40	0.25MIN	3
9-1447173-4	FS2N101.6A6 =JUMPER NOMEX	2.00	101.6	3.18	0.35MAX	0.84MAX	φ 0.40	0.25MIN	6
1-1447174-5	FS2N12.7A10 =JUMPER NOMEX	2.00	12.7	3.18	0.35MAX	0.84MAX	φ 0.40	0.25MIN	10
2-1447174-0	FS2N12.7A13 =JUMPER NOMEX	2.00	12.7	3.18	0.35MAX	0.84MAX	φ 0.40	0.25MIN	13
2-1447174-1	FS2N12.7A14 =JUMPER NOMEX	2.00	12.7	3.18	0.35MAX	0.84MAX	φ 0.40	0.25MIN	14
2-1447174-5	FS2N12.7A17 =JUMPER NOMEX	2.00	12.7	3.18	0.35MAX	0.84MAX	φ 0.40	0.25MIN	17
2-1447174-9	FS2N12.7A20 =JUMPER NOMEX	2.00	12.7	3.18	0.35MAX	0.84MAX	φ 0.40	0.25MIN	20
3-1447174-0	FS2N12.7A22 =JUMPER NOMEX	2.00	12.7	3.18	0.35MAX	0.84MAX	φ 0.40	0.25MIN	22
3-1447174-1	FS2N12.7A24 =JUMPER NOMEX	2.00	12.7	3.18	0.35MAX	0.84MAX	φ 0.40	0.25MIN	24
3-1447174-3	FS2N12.7A26 =JUMPER NOMEX	2.00	12.7	3.18	0.35MAX	0.84MAX	φ 0.40	0.25MIN	26
3-1447174-8	FS2N12.7A4 =JUMPER NOMEX	2.00	12.7	3.18	0.35MAX	0.84MAX	φ 0.40	0.25MIN	4
4-1447174-0	FS2N12.7A5 =JUMPER NOMEX	2.00	12.7	3.18	0.35MAX	0.84MAX	φ 0.40	0.25MIN	5
4-1447174-2	FS2N12.7A6 =JUMPER NOMEX	2.00	12.7	3.18	0.35MAX	0.84MAX	φ 0.40	0.25MIN	6
1437127-7	FS2N12.7A8 =JUMPER NOMEX	2.00	12.7	3.18	0.35MAX	0.84MAX	φ 0.40	0.25MIN	8
4-1447174-6	FS2N12.7A9 =JUMPER NOMEX	2.00	12.7	3.18	0.35MAX	0.84MAX	φ 0.40	0.25MIN	9
9-1447174-9	FS2N18A4 =JUMPER NOMEX	2.00	18.0	3.18	0.35MAX	0.84MAX	φ 0.40	0.25MIN	4
1447175-5	FS2N20A18 =JUMPER NOMEX	2.00	20.0	3.18	0.35MAX	0.84MAX	φ 0.40	0.25MIN	18
1447175-9	FS2N20A9 =JUMPER NOMEX	2.00	20.0	3.18	0.35MAX	0.84MAX	φ 0.40	0.25MIN	9
1-1447175-5	FS2N25.4A10 =JUMPER NOMEX	2.00	25.4	3.18	0.35MAX	0.84MAX	φ 0.40	0.25MIN	10
2-1447175-1	FS2N25.4A12 =JUMPER NOMEX	2.00	25.4	3.18	0.35MAX	0.84MAX	φ 0.40	0.25MIN	12
2-1447175-5	FS2N25.4A12PA =JUMPER (PA4.0)	2.00	25.4	4.00	0.35MAX	0.84MAX	φ 0.40	0.25MIN	12
2-1447175-6	FS2N25.4A13 =JUMPER NOMEX	2.00	25.4	3.18	0.35MAX	0.84MAX	φ 0.40	0.25MIN	13
3-1447175-2	FS2N25.4A14 =JUMPER NOMEX	2.00	25.4	3.18	0.35MAX	0.84MAX	φ 0.40	0.25MIN	14
3-1447175-7	FS2N25.4A16 =JUMPER NOMEX	2.00	25.4	3.18	0.35MAX	0.84MAX	φ 0.40	0.25MIN	16
4-1447175-0	FS2N25.4A17 =JUMPER NOMEX	2.00	25.4	3.18	0.35MAX	0.84MAX	φ 0.40	0.25MIN	17
4-1447175-3	FS2N25.4A19 =JUMPER NOMEX	2.00	25.4	3.18	0.35MAX	0.84MAX	φ 0.40	0.25MIN	19
4-1447175-4	FS2N25.4A2 =JUMPER NOMEX	2.00	25.4	3.18	0.35MAX	0.84MAX	φ 0.40	0.25MIN	2
4-1447175-6	FS2N25.4A20 =JUMPER NOMEX	2.00	25.4	3.18	0.35MAX	0.84MAX	φ 0.40	0.25MIN	20
4-1447175-9	FS2N25.4A21 =JUMPER NOMEX	2.00	25.4	3.18	0.35MAX	0.84MAX	φ 0.40	0.25MIN	21
5-1447175-0	FS2N25.4A22 =JUMPER NOMEX	2.00	25.4	3.18	0.35MAX	0.84MAX	φ 0.40	0.25MIN	22
5-1447175-2	FS2N25.4A23 =JUMPER NOMEX	2.00	25.4	3.18	0.35MAX	0.84MAX	φ 0.40	0.25MIN	23
5-1447175-4	FS2N25.4A25 =JUMPER NOMEX	2.00	25.4	3.18	0.35MAX	0.84MAX	φ 0.40	0.25MIN	25
5-1447175-6	FS2N25.4A26 =JUMPER NOMEX	2.00	25.4	3.18	0.35MAX	0.84MAX	φ 0.40	0.25MIN	26
6-1447175-1	FS2N25.4A3 =JUMPER NOMEX	2.00	25.4	3.18	0.35MAX	0.84MAX	φ 0.40	0.25MIN	3
6-1447175-4	FS2N25.4A30 =JUMPER NOMEX	2.00	25.4	3.18	0.35MAX	0.84MAX	φ 0.40	0.25MIN	30
6-1447175-5	FS2N25.4A32 =JUMPER NOMEX	2.00	25.4	3.18	0.35MAX	0.84MAX	φ 0.40	0.25MIN	32
6-1447175-9	FS2N25.4A4 =JUMPER NOMEX	2.00	25.4	3.18	0.35MAX	0.84MAX	φ 0.40	0.25MIN	4
7-1447175-1	FS2N25.4A5 =JUMPER NOMEX	2.00	25.4	3.18	0.35MAX	0.84MAX	φ 0.40	0.25MIN	5
7-1447175-3	FS2N25.4A59 =JUMPER NOMEX	2.00	25.4	3.18	0.35MAX	0.84MAX	φ 0.40	0.25MIN	59
7-1447175-4	FS2N25.4A6 =JUMPER NOMEX	2.00	25.4	3.18	0.35MAX	0.84MAX	φ 0.40	0.25MIN	6
7-1447175-6	FS2N25.4A7 =JUMPER NOMEX	2.00	25.4	3.18	0.35MAX	0.84MAX	φ 0.40	0.25MIN	7
8-1447175-0	FS2N25.4A8 =JUMPER NOMEX	2.00	25.4	3.18	0.35MAX	0.84MAX	φ 0.40	0.25MIN	8
8-1447175-4	FS2N25.4A9 =JUMPER NOMEX	2.00	25.4	3.18	0.35MAX	0.84MAX	φ 0.40	0.25MIN	9
1437127-8	FS2N29A20 =JUMPER NOMEX	2.00	28.0	3.18	0.35MAX	0.84MAX	φ 0.40	0.25MIN	20
1447176-6	FS2N30A25 =JUMPER NOMEX	2.00	30.0	3.18	0.35MAX	0.84MAX	φ 0.40	0.25MIN	25
1-1447176-2	FS2N32A15 =JUMPER NOMEX	2.00	32.0	3.18	0.35MAX	0.84MAX	φ 0.40	0.25MIN	15
2-1447176-1	FS2N35A7 =JUMPER NOMEX	2.00	35.0	3.18	0.35MAX	0.84MAX	φ 0.40	0.25MIN	7
1437127-9	FS2N36A20 =JUMPER NOMEX	2.00	36.0	3.18	0.35MAX	0.84MAX	φ 0.40	0.25MIN	20
2-1447176-4	FS2N38.1A10 =JUMPER NOMEX	2.00	38.1	3.18	0.35MAX	0.84MAX	φ 0.40	0.25MIN	10
2-1447176-6	FS2N38.1A11 =JUMPER NOMEX	2.00	38.1	3.18	0.35MAX	0.84MAX	φ 0.40	0.25MIN	11
2-1447176-7	FS2N38.1A12 =JUMPER NOMEX	2.00	38.1	3.18	0.35MAX	0.84MAX	φ 0.40	0.25MIN	12
3-1447176-1	FS2N38.1A13 =JUMPER NOMEX	2.00	38.1	3.18	0.35MAX	0.84MAX	φ 0.40	0.25MIN	13
3-1447176-6	FS2N38.1A14 =JUMPER NOMEX	2.00	38.1	3.18	0.35MAX	0.84MAX	φ 0.40	0.25MIN	14
4-1447176-0	FS2N38.1A15 =JUMPER NOMEX	2.00	38.1	3.18	0.35MAX	0.84MAX	φ 0.40	0.25MIN	15
4-1447176-7	FS2N38.1A16 =JUMPER NOMEX	2.00	38.1	3.18	0.35MAX	0.84MAX	φ 0.40	0.25MIN	16
5-1447176-2	FS2N38.1A17 =JUMPER NOMEX	2.00	38.1	3.18	0.35MAX	0.84MAX	φ 0.40	0.25MIN	17
5-1447176-3	FS2N38.1A18 =JUMPER NOMEX	2.00	38.1	3.18	0.35MAX	0.84MAX	φ 0.40	0.25MIN	18
5-1447176-5	FS2N38.1A19 =JUMPER NOMEX	2.00	38.1	3.18	0.35MAX	0.84MAX	φ 0.40	0.25MIN	19
5-1447176-7	FS2N38.1A2 =JUMPER NOMEX	2.00	38.1	3.18	0.35MAX	0.84MAX	φ 0.40	0.25MIN	2
5-1447176-8	FS2N38.1A20 =JUMPER NOMEX	2.00	38.1	3.18	0.35MAX	0.84MAX	φ 0.40	0.25MIN	20
5-1447176-9	FS2N38.1A21 =JUMPER NOMEX	2.00	38.1	3.18	0.35MAX	0.84MAX	φ 0.40	0.25MIN	21
6-1447176-1	FS2N38.1A22 =JUMPER NOMEX	2.00	38.1	3.18	0.35MAX	0.84MAX	φ 0.40	0.25MIN	22
6-1447176-3	FS2N38.1A23 =JUMPER NOMEX	2.00	38.1	3.18	0.35MAX	0.84MAX	φ 0.40	0.25MIN	23
6-1447176-4	FS2N38.1A24 =JUMPER NOMEX	2.00	38.1	3.18	0.35MAX	0.84MAX	φ 0.40	0.25MIN	24
6-1447176-6	FS2N38.1A25 =JUMPER NOMEX	2.00	38.1	3.18	0.35MAX	0.84MAX	φ 0.40	0.25MIN	25
6-1447176-8	FS2N38.1A26 =JUMPER NOMEX	2.00	38.1	3.18	0.35MAX	0.84MAX	φ 0.40	0.25MIN	26
7-1447176-5	FS2N38.1A28 =JUMPER NOMEX	2.00	38.1	3.18	0.35MAX	0.84MAX	φ 0.40	0.25MIN	28
7-1447176-6	FS2N38.1A3 =JUMPER NOMEX	2.00	38.1	3.18	0.35MAX	0.84MAX	φ 0.40	0.25MIN	3
7-1447176-9	FS2N38.1A31 =JUMPER NOMEX	2.00	38.1	3.18	0.35MAX	0.84MAX	φ 0.40	0.25MIN	31
8-1447176-4	FS2N38.1A4 =JUMPER NOMEX	2.00	38.1	3.18	0.35MAX	0.84MAX	φ 0.40	0.25MIN	4
8-1447176-7	FS2N38.1A5 =JUMPER NOMEX	2.00	38.1	3.18	0.35MAX	0.84MAX	φ 0.40	0.25MIN	5
9-1447176-2	FS2N38.1A6 =JUMPER NOMEX	2.00	38.1	3.18	0.35MAX	0.84MAX	φ 0.40	0.25MIN	6
9-1447176-4	FS2N38.1A7 =JUMPER NOMEX	2.00	38.1	3.18	0.35MAX	0.84MAX	φ 0.40	0.25MIN	7
9-1447176-5	FS2N38.1A8 =JUMPER NOMEX	2.00	38.1	3.18	0.35MAX	0.84MAX	φ 0.40	0.25MIN	8

THIS DRAWING IS A CONTROLLED DOCUMENT.

DWN -
CHK -
APVD -

SEE SHEET 1

PRODUCT SPEC 108-78002

APPLICATION SPEC -

WEIGHT 0

CUSTOMER DRAWING

TE Connectivity Ltd.

FLEXSTRIP JUMPER


SIZE A3 CAGE CODE 00779 DRAWING NO C-1447169 RESTRICTED TO -

SCALE NTS SHEET 4 OF 9 REV A8

P	LTR	DESCRIPTION	DATE	DWN	APVD
-	-	SEE SHEET 1	-	-	-

FS2N SERIES NO.2


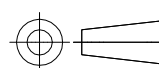
P/N	Description	Pitch (A)	Tape Length (B)	Pin Length (C)	Tape Thickness (D)	Tape Thickness (E)	Pin Diameter (F)	Margin (G)	POS
1447177-1	FS2N38.1A9 =JUMPER NOMEX	2.00	38.1	3.18	0.35MAX	0.84MAX	φ0.40	0.25MIN	9
1447177-7	FS2N38.1B12 =JUMPER NOMEX	2.00	38.1	3.18	0.35MAX	0.84MAX	φ0.40	0.25MIN	12
1-1447177-4	FS2N40A14 =JUMPER NOMEX	2.00	40.0	3.18	0.35MAX	0.84MAX	φ0.40	0.25MIN	14
2-1447177-2	FS2N42A11 =JUMPER NOMEX	2.00	42.0	3.18	0.35MAX	0.84MAX	φ0.40	0.25MIN	11
2-1447177-3	FS2N42A15 =JUMPER NOMEX	2.00	42.0	3.18	0.35MAX	0.84MAX	φ0.40	0.25MIN	15
2-1447177-5	FS2N42A9 =JUMPER NOMEX	2.00	42.0	3.18	0.35MAX	0.84MAX	φ0.40	0.25MIN	9
3-1447177-2	FS2N50.8A10 =JUMPER NOMEX	2.00	50.8	3.18	0.35MAX	0.84MAX	φ0.40	0.25MIN	10
3-1447177-5	FS2N50.8A11 =JUMPER NOMEX	2.00	50.8	3.18	0.35MAX	0.84MAX	φ0.40	0.25MIN	11
3-1447177-8	FS2N50.8A12 =JUMPER NOMEX	2.00	50.8	3.18	0.35MAX	0.84MAX	φ0.40	0.25MIN	12
4-1447177-1	FS2N50.8A13 =JUMPER NOMEX	2.00	50.8	3.18	0.35MAX	0.84MAX	φ0.40	0.25MIN	13
4-1447177-2	FS2N50.8A14 =JUMPER NOMEX	2.00	50.8	3.18	0.35MAX	0.84MAX	φ0.40	0.25MIN	14
4-1447177-4	FS2N50.8A15 =JUMPER NOMEX	2.00	50.8	3.18	0.35MAX	0.84MAX	φ0.40	0.25MIN	15
5-1447177-2	FS2N50.8A16 =JUMPER NOMEX	2.00	50.8	3.18	0.35MAX	0.84MAX	φ0.40	0.25MIN	16
5-1447177-5	FS2N50.8A17 =JUMPER NOMEX	2.00	50.8	3.18	0.35MAX	0.84MAX	φ0.40	0.25MIN	17
5-1447177-6	FS2N50.8A18 =JUMPER NOMEX	2.00	50.8	3.18	0.35MAX	0.84MAX	φ0.40	0.25MIN	18
5-1447177-8	FS2N50.8A19 =JUMPER NOMEX	2.00	50.8	3.18	0.35MAX	0.84MAX	φ0.40	0.25MIN	19
6-1447177-0	FS2N50.8A2 =JUMPER NOMEX	2.00	50.8	3.18	0.35MAX	0.84MAX	φ0.40	0.25MIN	2
6-1447177-3	FS2N50.8A20PA =JUMPER NOMEX	2.00	50.8	4.00	0.35MAX	0.84MAX	φ0.40	0.25MIN	20
6-1447177-4	FS2N50.8A21 =JUMPER NOMEX	2.00	50.8	3.18	0.35MAX	0.84MAX	φ0.40	0.25MIN	21
6-1447177-6	FS2N50.8A22 =JUMPER NOMEX	2.00	50.8	3.18	0.35MAX	0.84MAX	φ0.40	0.25MIN	22
6-1447177-8	FS2N50.8A23 =JUMPER NOMEX	2.00	50.8	3.18	0.35MAX	0.84MAX	φ0.40	0.25MIN	23
6-1447177-9	FS2N50.8A24 =JUMPER NOMEX	2.00	50.8	3.18	0.35MAX	0.84MAX	φ0.40	0.25MIN	24
7-1447177-1	FS2N50.8A25 =JUMPER NOMEX	2.00	50.8	3.18	0.35MAX	0.84MAX	φ0.40	0.25MIN	25
7-1447177-2	FS2N50.8A26 =JUMPER NOMEX	2.00	50.8	3.18	0.35MAX	0.84MAX	φ0.40	0.25MIN	26
7-1447177-5	FS2N50.8A3 =JUMPER NOMEX	2.00	50.8	3.18	0.35MAX	0.84MAX	φ0.40	0.25MIN	3
7-1447177-6	FS2N50.8A30 =JUMPER NOMEX	2.00	50.8	3.18	0.35MAX	0.84MAX	φ0.40	0.25MIN	30
7-1447177-9	FS2N50.8A33 =JUMPER NOMEX	2.00	50.8	3.18	0.35MAX	0.84MAX	φ0.40	0.25MIN	33
8-1447177-4	FS2N50.8A4 =JUMPER NOMEX	2.00	50.8	3.18	0.35MAX	0.84MAX	φ0.40	0.25MIN	4
8-1447177-5	FS2N50.8A40 =JUMPER NOMEX	2.00	50.8	3.18	0.35MAX	0.84MAX	φ0.40	0.25MIN	40
8-1447177-9	FS2N50.8A6 =JUMPER NOMEX	2.00	50.8	3.18	0.35MAX	0.84MAX	φ0.40	0.25MIN	6
9-1447177-1	FS2N50.8A7 =JUMPER NOMEX	2.00	50.8	3.18	0.35MAX	0.84MAX	φ0.40	0.25MIN	7
9-1447177-4	FS2N50.8A8 =JUMPER NOMEX	2.00	50.8	3.18	0.35MAX	0.84MAX	φ0.40	0.25MIN	8
9-1447177-6	FS2N50.8A9 =JUMPER NOMEX	2.00	50.8	3.18	0.35MAX	0.84MAX	φ0.40	0.25MIN	9
9-1447177-8	FS2N50.8A86 =JUMPER NOMEX	2.00	50.8	3.18	0.35MAX	0.84MAX	φ0.40	0.25MIN	6
1447178-8	FS2N63.5A12 =JUMPER NOMEX	2.00	63.5	3.18	0.35MAX	0.84MAX	φ0.40	0.25MIN	12
1447178-9	FS2N63.5A13 =JUMPER NOMEX	2.00	63.5	3.18	0.35MAX	0.84MAX	φ0.40	0.25MIN	13
1-1447178-1	FS2N63.5A15 =JUMPER NOMEX	2.00	63.5	3.18	0.35MAX	0.84MAX	φ0.40	0.25MIN	15
1-1447178-5	FS2N63.5A16PA =JUMPER (PA4.0)	2.00	63.5	4.00	0.35MAX	0.84MAX	φ0.40	0.25MIN	16
2-1447178-1	FS2N63.5A20 =JUMPER NOMEX	2.00	63.5	3.18	0.35MAX	0.84MAX	φ0.40	0.25MIN	20
2-1447178-3	FS2N63.5A21 =JUMPER NOMEX	2.00	63.5	3.18	0.35MAX	0.84MAX	φ0.40	0.25MIN	21
2-1447178-5	FS2N63.5A25 =JUMPER NOMEX	2.00	63.5	3.18	0.35MAX	0.84MAX	φ0.40	0.25MIN	25
2-1447178-8	FS2N63.5A28 =JUMPER NOMEX	2.00	63.5	3.18	0.35MAX	0.84MAX	φ0.40	0.25MIN	28
2-1447178-9	FS2N63.5A3 =JUMPER NOMEX	2.00	63.5	3.18	0.35MAX	0.84MAX	φ0.40	0.25MIN	3
3-1447178-0	FS2N63.5A30 =JUMPER NOMEX	2.00	63.5	3.18	0.35MAX	0.84MAX	φ0.40	0.25MIN	30
3-1447178-8	FS2N63.5A4 =JUMPER NOMEX	2.00	63.5	3.18	0.35MAX	0.84MAX	φ0.40	0.25MIN	4
3-1447178-9	FS2N63.5A5 =JUMPER NOMEX	2.00	63.5	3.18	0.35MAX	0.84MAX	φ0.40	0.25MIN	5
4-1447178-1	FS2N63.5A6 =JUMPER NOMEX	2.00	63.5	3.18	0.35MAX	0.84MAX	φ0.40	0.25MIN	6
4-1447178-3	FS2N63.5A9 =JUMPER NOMEX	2.00	63.5	3.18	0.35MAX	0.84MAX	φ0.40	0.25MIN	8
4-1447178-4	FS2N63.5A9 =JUMPER NOMEX	2.00	63.5	3.18	0.35MAX	0.84MAX	φ0.40	0.25MIN	9
5-1447178-0	FS2N72A28 =JUMPER NOMEX	2.00	72.0	3.18	0.35MAX	0.84MAX	φ0.40	0.25MIN	25
5-1447178-1	FS2N72A28 =JUMPER NOMEX	2.00	72.0	3.18	0.35MAX	0.84MAX	φ0.40	0.25MIN	28
5-1447178-2	FS2N72A32 =JUMPER NOMEX	2.00	72.0	3.18	0.35MAX	0.84MAX	φ0.40	0.25MIN	32
5-1447178-9	FS2N76.2A12 =JUMPER NOMEX	2.00	76.2	3.18	0.35MAX	0.84MAX	φ0.40	0.25MIN	12
6-1447178-2	FS2N76.2A14 =JUMPER NOMEX	2.00	76.2	3.18	0.35MAX	0.84MAX	φ0.40	0.25MIN	14
7-1447178-1	FS2N76.2A20 =JUMPER NOMEX	2.00	76.2	3.18	0.35MAX	0.84MAX	φ0.40	0.25MIN	20
7-1447178-2	FS2N76.2A26PA =JUMPER NOMEX	2.00	76.2	4.00	0.35MAX	0.84MAX	φ0.40	0.25MIN	20
7-1447178-4	FS2N76.2A26 =JUMPER NOMEX	2.00	76.2	3.18	0.35MAX	0.84MAX	φ0.40	0.25MIN	26
7-1447178-5	FS2N76.2A28 =JUMPER NOMEX	2.00	76.2	3.18	0.35MAX	0.84MAX	φ0.40	0.25MIN	28
8-1447178-1	FS2N76.2A4 =JUMPER NOMEX	2.00	76.2	3.18	0.35MAX	0.84MAX	φ0.40	0.25MIN	4
1376966-1	FS2N76.2A40 =JUMPER NOMEX	2.00	76.2	3.18	0.35MAX	0.84MAX	φ0.40	0.25MIN	40
8-1447178-4	FS2N76.2A5 =JUMPER NOMEX	2.00	76.2	3.18	0.35MAX	0.84MAX	φ0.40	0.25MIN	5
8-1447178-6	FS2N76.2A6 =JUMPER NOMEX	2.00	76.2	3.18	0.35MAX	0.84MAX	φ0.40	0.25MIN	6
8-1447178-7	FS2N76.2A7 =JUMPER NOMEX	2.00	76.2	3.18	0.35MAX	0.84MAX	φ0.40	0.25MIN	7
8-1447178-8	FS2N76.2A8 =JUMPER NOMEX	2.00	76.2	3.18	0.35MAX	0.84MAX	φ0.40	0.25MIN	8
9-1447178-5	FS2N80A28 =JUMPER NOMEX	2.00	80.0	3.18	0.35MAX	0.84MAX	φ0.40	0.25MIN	28
9-1447178-6	FS2N80A32 =JUMPER NOMEX	2.00	80.0	3.18	0.35MAX	0.84MAX	φ0.40	0.25MIN	32
1447179-2	FS2N88.9A10 =JUMPER NOMEX	2.00	88.9	3.18	0.35MAX	0.84MAX	φ0.40	0.25MIN	10
1447179-4	FS2N88.9A12 =JUMPER NOMEX	2.00	88.9	3.18	0.35MAX	0.84MAX	φ0.40	0.25MIN	12
1-1447179-6	FS2N88.9A20PA =JUMPER (PA4.0)	2.00	88.9	4.00	0.35MAX	0.84MAX	φ0.40	0.25MIN	20
2-1447179-6	FS2N88.9A6 =JUMPER NOMEX	2.00	88.9	3.18	0.35MAX	0.84MAX	φ0.40	0.25MIN	6
2-1447179-8	FS2N88.9A8 =JUMPER NOMEX	2.00	88.9	3.18	0.35MAX	0.84MAX	φ0.40	0.25MIN	8

THIS DRAWING IS A CONTROLLED DOCUMENT.		DWN	SEE SHEET 1		 TE Connectivity Ltd.	
DIMENSIONS: mm		CHK				
TOLERANCES UNLESS OTHERWISE SPECIFIED:		APVD	108-78002		NAME	
0 PLC ± - 1 PLC ± - 2 PLC ± - 3 PLC ± - 4 PLC ± - ANGLES ± -		PRODUCT SPEC				
MATERIAL		FINISH	APPLICATION SPEC		DRAWING NO	
-		-	-		C-1447169	
		WEIGHT	0		SIZE	RESTRICTED TO
			CUSTOMER DRAWING		A3	-
			SCALE		CAGE CODE	REV
			NTS		00779	A8
			SHEET		5 of 9	

P	LTR	DESCRIPTION	DATE	DWN	APVD
-	-	SEE SHEET 1	-	-	-

FSN SERIES NO.1

P/N	Description	Pitch (A)	Tape Length (B)	Pin Length (C)	Tape Thickness (D)	Tape Thickness (E)	Pin Diameter (F)	Margin (G)	POS
6-1447182-9	FSN-1.5A-10=JUMPER NOMEX	1.27	12.7	3.18	0.35MAX	0.84MAX	ø 0.32	0.25MIN	10
7-1447182-1	FSN-1.5A-12=JUMPER NOMEX	1.27	12.7	3.18	0.35MAX	0.84MAX	ø 0.32	0.25MIN	12
3-1437127-7	FSN-1.5A-13= JUMPER NOMEX	1.27	12.7	3.18	0.35MAX	0.84MAX	ø 0.32	0.25MIN	13
4-1437127-1	FSN-1.5A-17= JUMPER NOMEX	1.27	12.7	3.18	0.35MAX	0.84MAX	ø 0.32	0.25MIN	17
4-1437127-2	FSN-1.5A-18= JUMPER NOMEX	1.27	12.7	3.18	0.35MAX	0.84MAX	ø 0.32	0.25MIN	18
7-1447182-4	FSN-1.5A-19=JUMPER NOMEX	1.27	12.7	3.18	0.35MAX	0.84MAX	ø 0.32	0.25MIN	19
4-1437127-3	FSN-1.5A-20= JUMPER NOMEX	1.27	12.7	3.18	0.35MAX	0.84MAX	ø 0.32	0.25MIN	20
7-1447182-7	FSN-1.5A-22=JUMPER NOMEX	1.27	12.7	3.18	0.35MAX	0.84MAX	ø 0.32	0.25MIN	22
4-1437127-8	FSN-1.5A-25= JUMPER NOMEX	1.27	12.7	3.18	0.35MAX	0.84MAX	ø 0.32	0.25MIN	25
8-1447182-0	FSN-1.5A-3=JUMPER NOMEX	1.27	12.7	3.18	0.35MAX	0.84MAX	ø 0.32	0.25MIN	3
5-1437127-1	FSN-1.5A-32= JUMPER NOMEX	1.27	12.7	3.18	0.35MAX	0.84MAX	ø 0.32	0.25MIN	32
5-1437127-6	FSN-1.5A-5= JUMPER NOMEX	1.27	12.7	3.18	0.35MAX	0.84MAX	ø 0.32	0.25MIN	5
8-1447182-3	FSN-1.5A-6=JUMPER NOMEX	1.27	12.7	3.18	0.35MAX	0.84MAX	ø 0.32	0.25MIN	6
1437129-6	FSN-11.5A-10= JUMPER NOMEX	1.27	38.1	3.18	0.35MAX	0.84MAX	ø 0.32	0.25MIN	10
8-1447182-9	FSN-11.5A-13=JUMPER NOMEX	1.27	38.1	3.18	0.35MAX	0.84MAX	ø 0.32	0.25MIN	13
9-1447182-0	FSN-11.5A-16=JUMPER NOMEX	1.27	38.1	3.18	0.35MAX	0.84MAX	ø 0.32	0.25MIN	16
1-1437129-1	FSN-11.5A-18= JUMPER NOMEX	1.27	38.1	3.18	0.35MAX	0.84MAX	ø 0.32	0.25MIN	18
1-1437129-3	FSN-11.5A-20= JUMPER NOMEX	1.27	38.1	3.18	0.35MAX	0.84MAX	ø 0.32	0.25MIN	20
9-1447182-4	FSN-11.5A-22=JUMPER NOMEX	1.27	38.1	3.18	0.35MAX	0.84MAX	ø 0.32	0.25MIN	22
9-1447182-8	FSN-11.5A-25=JUMPER NOMEX	1.27	38.1	3.18	0.35MAX	0.84MAX	ø 0.32	0.25MIN	25
1447183-6	FSN-11.5A-4=JUMPER NOMEX	1.27	38.1	3.18	0.35MAX	0.84MAX	ø 0.32	0.25MIN	4
2-1437129-2	FSN-11.5A-5= JUMPER NOMEX	1.27	38.1	3.18	0.35MAX	0.84MAX	ø 0.32	0.25MIN	5
2-1437129-5	FSN-11.5A-7= JUMPER NOMEX	1.27	38.1	3.18	0.35MAX	0.84MAX	ø 0.32	0.25MIN	7
2-1437129-6	FSN-11.5A-8= JUMPER NOMEX	1.27	38.1	3.18	0.35MAX	0.84MAX	ø 0.32	0.25MIN	8
2-1437129-7	FSN-11.5A-9= JUMPER NOMEX	1.27	38.1	3.18	0.35MAX	0.84MAX	ø 0.32	0.25MIN	9
1437130-4	FSN-11A-10= JUMPER NOMEX	1.27	25.4	3.18	0.35MAX	0.84MAX	ø 0.32	0.25MIN	10
1437130-8	FSN-11A-12= JUMPER NOMEX	1.27	25.4	3.18	0.35MAX	0.84MAX	ø 0.32	0.25MIN	12
1-1437130-1	FSN-11A-14= JUMPER NOMEX	1.27	25.4	3.18	0.35MAX	0.84MAX	ø 0.32	0.25MIN	14
1-1437130-3	FSN-11A-15= JUMPER NOMEX	1.27	25.4	3.18	0.35MAX	0.84MAX	ø 0.32	0.25MIN	15
1-1437130-4	FSN-11A-16= JUMPER NOMEX	1.27	25.4	3.18	0.35MAX	0.84MAX	ø 0.32	0.25MIN	16
1-1437130-6	FSN-11A-18= JUMPER NOMEX	1.27	25.4	3.18	0.35MAX	0.84MAX	ø 0.32	0.25MIN	18
1-1437130-9	FSN-11A-20= JUMPER NOMEX	1.27	25.4	3.18	0.35MAX	0.84MAX	ø 0.32	0.25MIN	20
2-1437130-1	FSN-11A-22= JUMPER NOMEX	1.27	25.4	3.18	0.35MAX	0.84MAX	ø 0.32	0.25MIN	22
2-1437130-2	FSN-11A-23= JUMPER NOMEX	1.27	25.4	3.18	0.35MAX	0.84MAX	ø 0.32	0.25MIN	23
2-1437130-3	FSN-11A-24= JUMPER NOMEX	1.27	25.4	3.18	0.35MAX	0.84MAX	ø 0.32	0.25MIN	24
2-1437130-5	FSN-11A-26= JUMPER NOMEX	1.27	25.4	3.18	0.35MAX	0.84MAX	ø 0.32	0.25MIN	26
1-1447183-7	FSN-11A-27=JUMPER NOMEX	1.27	25.4	3.18	0.35MAX	0.84MAX	ø 0.32	0.25MIN	27
2-1437130-6	FSN-11A-28= JUMPER NOMEX	1.27	25.4	3.18	0.35MAX	0.84MAX	ø 0.32	0.25MIN	28
2-1437130-9	FSN-11A-30= JUMPER NOMEX	1.27	25.4	3.18	0.35MAX	0.84MAX	ø 0.32	0.25MIN	30
3-1437130-3	FSN-11A-5= JUMPER NOMEX	1.27	25.4	3.18	0.35MAX	0.84MAX	ø 0.32	0.25MIN	5
3-1437130-4	FSN-11A-6= JUMPER NOMEX	1.27	25.4	3.18	0.35MAX	0.84MAX	ø 0.32	0.25MIN	6
3-1437130-6	FSN-11A-8= JUMPER NOMEX	1.27	25.4	3.18	0.35MAX	0.84MAX	ø 0.32	0.25MIN	8
1-1447183-4	FSN-11A-19-1=JUMPER NOMEX (PL25)	1.27	25.4	2.50	0.35MAX	0.84MAX	ø 0.32	0.25MIN	19
1-1447183-6	FSN-11A-24-1=JUMPER NOMEX (PL25)	1.27	25.4	2.50	0.35MAX	0.84MAX	ø 0.32	0.25MIN	24
2-1447183-1	FSN-11A-8PL2.5=JUMPER NOMEX	1.27	25.4	2.50	0.35MAX	0.84MAX	ø 0.32	0.25MIN	8
2-1447183-7	FSN-12.5A-19=JUMPER NOMEX	1.27	63.5	3.18	0.35MAX	0.84MAX	ø 0.32	0.25MIN	13
1-1437131-1	FSN-12.5A-20= JUMPER NOMEX	1.27	63.5	3.18	0.35MAX	0.84MAX	ø 0.32	0.25MIN	20
1-1437131-5	FSN-12.5A-30= JUMPER NOMEX	1.27	63.5	3.18	0.35MAX	0.84MAX	ø 0.32	0.25MIN	30
5-1437131-2	FSN-12A-14= JUMPER NOMEX	1.27	50.8	3.18	0.35MAX	0.84MAX	ø 0.32	0.25MIN	14
5-1437131-3	FSN-12A-15= JUMPER NOMEX	1.27	50.8	3.18	0.35MAX	0.84MAX	ø 0.32	0.25MIN	15
6-1437131-0	FSN-12A-21= JUMPER NOMEX	1.27	50.8	3.18	0.35MAX	0.84MAX	ø 0.32	0.25MIN	21
6-1437131-4	FSN-12A-25= JUMPER NOMEX	1.27	50.8	3.18	0.35MAX	0.84MAX	ø 0.32	0.25MIN	25
6-1437131-8	FSN-12A-30= JUMPER NOMEX	1.27	50.8	3.18	0.35MAX	0.84MAX	ø 0.32	0.25MIN	30
2-1437161-8	FSN-12A-4= JUMPER NOMEX	1.27	50.8	3.18	0.35MAX	0.84MAX	ø 0.32	0.25MIN	4
7-1437131-5	FSN-12A-8= JUMPER NOMEX	1.27	50.8	3.18	0.35MAX	0.84MAX	ø 0.32	0.25MIN	8
4-1447183-3	FSN-13.5A-24=JUMPER NOMEX	1.27	88.9	3.18	0.35MAX	0.84MAX	ø 0.32	0.25MIN	24
1-1437133-9	FSN-14A-10=JUMPER NOMEX	1.27	101.6	3.18	0.35MAX	0.84MAX	ø 0.32	0.25MIN	10
4-1447183-9	FSN-14A-16= JUMPER NOMEX	1.27	101.6	3.18	0.35MAX	0.84MAX	ø 0.32	0.25MIN	16
6-1447183-1	FSN-15A-25=JUMPER NOMEX	1.27	127.0	3.18	0.35MAX	0.84MAX	ø 0.32	0.25MIN	25

THIS DRAWING IS A CONTROLLED DOCUMENT.		DWN	-	 TE Connectivity Ltd.		
DIMENSIONS: mm		CHK	-			
		APVD	-			
TOLERANCES UNLESS OTHERWISE SPECIFIED:		PRODUCT SPEC	108-78002			
MATERIAL		FINISH	-	NAME		FLEXSTRIP JUMPER
0 PLC ± -		SEE SHEET 1		SIZE		A3
1 PLC ± -		108-78002		CAGE CODE		00779
2 PLC ± -		APPLICATION SPEC		DRAWING NO		C-1447169
3 PLC ± -		WEIGHT		RESTRICTED TO		-
4 PLC ± -		0		SCALE		NTS
ANGLES ± -		CUSTOMER DRAWING		SHEET		6 OF 9
FINISH		-		REV		A8

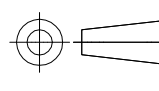
P	LTR	DESCRIPTION	DATE	DWN	APVD
-	-	SEE SHEET 1	-	-	-

FSN SERIES NO.2

P/N	Description	Pitch (A)	Tape Length (B)	Pin Length (C)	Tape Thickness (D)	Tape Thickness (E)	Pin Diameter (F)	Margin (G)	POS
7-1447183-3	FSN-2.5A-10=JUMPER NOMEX	2.54	12.7	3.18	0.35MAX	0.84MAX	φ0.51	0.25MIN	10
7-1447183-5	FSN-2.5A-11=JUMPER NOMEX	2.54	12.7	3.18	0.35MAX	0.84MAX	φ0.51	0.25MIN	11
7-1447183-7	FSN-2.5A-12=JUMPER NOMEX	2.54	12.7	3.18	0.35MAX	0.84MAX	φ0.51	0.25MIN	12
7-1447183-8	FSN-2.5A-13=JUMPER NOMEX	2.54	12.7	3.18	0.35MAX	0.84MAX	φ0.51	0.25MIN	13
8-1447183-0	FSN-2.5A-14=JUMPER NOMEX	2.54	12.7	3.18	0.35MAX	0.84MAX	φ0.51	0.25MIN	14
4-1437134-9	FSN-2.5A-15=JUMPER NOMEX	2.54	12.7	3.18	0.35MAX	0.84MAX	φ0.51	0.25MIN	15
8-1447183-2	FSN-2.5A-16=JUMPER NOMEX	2.54	12.7	3.18	0.35MAX	0.84MAX	φ0.51	0.25MIN	16
8-1447183-4	FSN-2.5A-18=JUMPER NOMEX	2.54	12.7	3.18	0.35MAX	0.84MAX	φ0.51	0.25MIN	18
8-1447183-5	FSN-2.5A-20=JUMPER NOMEX	2.54	12.7	3.18	0.35MAX	0.84MAX	φ0.51	0.25MIN	20
8-1447183-6	FSN-2.5A-20=JUMPER NOMEX	2.54	12.7	3.18	0.35MAX	0.84MAX	φ0.51	0.25MIN	20
5-1437134-7	FSN-2.5A-22=JUMPER NOMEX	2.54	12.7	3.18	0.35MAX	0.84MAX	φ0.51	0.25MIN	22
6-1437134-2	FSN-2.5A-3=JUMPER NOMEX	2.54	12.7	3.18	0.35MAX	0.84MAX	φ0.51	0.25MIN	3
6-1437134-3	FSN-2.5A-30=JUMPER NOMEX	2.54	12.7	3.18	0.35MAX	0.84MAX	φ0.51	0.25MIN	30
9-1447183-6	FSN-2.5A-4=JUMPER NOMEX	2.54	12.7	3.18	0.35MAX	0.84MAX	φ0.51	0.25MIN	4
9-1447183-8	FSN-2.5A-5=JUMPER NOMEX	2.54	12.7	3.18	0.35MAX	0.84MAX	φ0.51	0.25MIN	5
1447184-1	FSN-2.5A-6=JUMPER NOMEX	2.54	12.7	3.18	0.35MAX	0.84MAX	φ0.51	0.25MIN	6
1447184-3	FSN-2.5A-7=JUMPER NOMEX	2.54	12.7	3.18	0.35MAX	0.84MAX	φ0.51	0.25MIN	7
1447184-7	FSN-2.5A-9=JUMPER NOMEX	2.54	12.7	3.18	0.35MAX	0.84MAX	φ0.51	0.25MIN	9
3-1437137-6	FSN-21.5A-10=JUMPER NOMEX	2.54	38.1	3.18	0.35MAX	0.84MAX	φ0.51	0.25MIN	10
4-1437137-1	FSN-21.5A-11=JUMPER NOMEX	2.54	38.1	3.18	0.35MAX	0.84MAX	φ0.51	0.25MIN	11
4-1437137-2	FSN-21.5A-13=JUMPER NOMEX	2.54	38.1	3.18	0.35MAX	0.84MAX	φ0.51	0.25MIN	13
4-1437137-3	FSN-21.5A-14=JUMPER NOMEX	2.54	38.1	3.18	0.35MAX	0.84MAX	φ0.51	0.25MIN	14
4-1437137-3	FSN-21.5A-15=JUMPER NOMEX	2.54	38.1	3.18	0.35MAX	0.84MAX	φ0.51	0.25MIN	15
4-1437137-6	FSN-21.5A-17=JUMPER NOMEX	2.54	38.1	3.18	0.35MAX	0.84MAX	φ0.51	0.25MIN	17
4-1447184-0	FSN-21.5A-18=JUMPER NOMEX	2.54	38.1	3.18	0.35MAX	0.84MAX	φ0.51	0.25MIN	18
4-1437137-8	FSN-21.5A-19=JUMPER NOMEX	2.54	38.1	3.18	0.35MAX	0.84MAX	φ0.51	0.25MIN	19
4-1437137-9	FSN-21.5A-2=JUMPER NOMEX	2.54	38.1	3.18	0.35MAX	0.84MAX	φ0.51	0.25MIN	2
4-1447184-2	FSN-21.5A-20=JUMPER NOMEX	2.54	38.1	3.18	0.35MAX	0.84MAX	φ0.51	0.25MIN	20
5-1437137-4	FSN-21.5A-22=JUMPER NOMEX	2.54	38.1	3.18	0.35MAX	0.84MAX	φ0.51	0.25MIN	22
5-1437137-5	FSN-21.5A-23=JUMPER NOMEX	2.54	38.1	3.18	0.35MAX	0.84MAX	φ0.51	0.25MIN	23
5-1437137-7	FSN-21.5A-24=JUMPER NOMEX	2.54	38.1	3.18	0.35MAX	0.84MAX	φ0.51	0.25MIN	24
5-1437137-8	FSN-21.5A-25=JUMPER NOMEX	2.54	38.1	3.18	0.35MAX	0.84MAX	φ0.51	0.25MIN	25
5-1437137-9	FSN-21.5A-26=JUMPER NOMEX	2.54	38.1	3.18	0.35MAX	0.84MAX	φ0.51	0.25MIN	26
5-1447184-0	FSN-21.5A-27=JUMPER NOMEX	2.54	38.1	3.18	0.35MAX	0.84MAX	φ0.51	0.25MIN	27
5-1447184-6	FSN-21.5A-3=JUMPER NOMEX	2.54	38.1	3.18	0.35MAX	0.84MAX	φ0.51	0.25MIN	3
6-1437137-3	FSN-21.5A-30=JUMPER NOMEX	2.54	38.1	3.18	0.35MAX	0.84MAX	φ0.51	0.25MIN	30
6-1437137-4	FSN-21.5A-32=JUMPER NOMEX	2.54	38.1	3.18	0.35MAX	0.84MAX	φ0.51	0.25MIN	32
6-1447184-2	FSN-21.5A-33=JUMPER NOMEX	2.54	38.1	3.18	0.35MAX	0.84MAX	φ0.51	0.25MIN	33
6-1437137-7	FSN-21.5A-4=JUMPER NOMEX	2.54	38.1	3.18	0.35MAX	0.84MAX	φ0.51	0.25MIN	4
6-1447184-8	FSN-21.5A-5=JUMPER NOMEX	2.54	38.1	3.18	0.35MAX	0.84MAX	φ0.51	0.25MIN	5
7-1437137-2	FSN-21.5A-6=JUMPER NOMEX	2.54	38.1	3.18	0.35MAX	0.84MAX	φ0.51	0.25MIN	6
7-1447184-3	FSN-21.5A-7=JUMPER NOMEX	2.54	38.1	3.18	0.35MAX	0.84MAX	φ0.51	0.25MIN	7
7-1447184-8	FSN-21.5A-9=JUMPER NOMEX	2.54	38.1	3.18	0.35MAX	0.84MAX	φ0.51	0.25MIN	8
7-1437137-8	FSN-21.5A-9=JUMPER NOMEX	2.54	38.1	3.18	0.35MAX	0.84MAX	φ0.51	0.25MIN	9
9-1437137-4	FSN-21.5B-6=JUMPER NOMEX	2.54	38.1	3.18	0.35MAX	0.84MAX	φ0.51	0.25MIN	6
8-1447184-6	FSN-21.5B-9=JUMPER NOMEX	2.54	38.1	3.18	0.35MAX	0.84MAX	φ0.51	0.25MIN	9
6-1437139-7	FSN-21A-10=JUMPER NOMEX	2.54	25.4	3.18	0.35MAX	0.84MAX	φ0.51	0.25MIN	10
6-1437139-9	FSN-21A-11=JUMPER NOMEX	2.54	25.4	3.18	0.35MAX	0.84MAX	φ0.51	0.25MIN	11
7-1437139-1	FSN-21A-12=JUMPER NOMEX	2.54	25.4	3.18	0.35MAX	0.84MAX	φ0.51	0.25MIN	12
7-1437139-3	FSN-21A-13=JUMPER NOMEX	2.54	25.4	3.18	0.35MAX	0.84MAX	φ0.51	0.25MIN	13
7-1437139-4	FSN-21A-14=JUMPER NOMEX	2.54	25.4	3.18	0.35MAX	0.84MAX	φ0.51	0.25MIN	14
7-1437139-7	FSN-21A-15=JUMPER NOMEX	2.54	25.4	3.18	0.35MAX	0.84MAX	φ0.51	0.25MIN	15
7-1437139-9	FSN-21A-16=JUMPER NOMEX	2.54	25.4	3.18	0.35MAX	0.84MAX	φ0.51	0.25MIN	16
8-1437139-0	FSN-21A-17=JUMPER NOMEX	2.54	25.4	3.18	0.35MAX	0.84MAX	φ0.51	0.25MIN	17
8-1437139-1	FSN-21A-18=JUMPER NOMEX	2.54	25.4	3.18	0.35MAX	0.84MAX	φ0.51	0.25MIN	18
8-1437139-2	FSN-21A-19=JUMPER NOMEX	2.54	25.4	3.18	0.35MAX	0.84MAX	φ0.51	0.25MIN	19
8-1437139-3	FSN-21A-2=JUMPER NOMEX	2.54	25.4	3.18	0.35MAX	0.84MAX	φ0.51	0.25MIN	2
8-1437139-4	FSN-21A-20=JUMPER NOMEX	2.54	25.4	3.18	0.35MAX	0.84MAX	φ0.51	0.25MIN	20
8-1437139-5	FSN-21A-21=JUMPER NOMEX	2.54	25.4	3.18	0.35MAX	0.84MAX	φ0.51	0.25MIN	21
8-1437139-6	FSN-21A-22=JUMPER NOMEX	2.54	25.4	3.18	0.35MAX	0.84MAX	φ0.51	0.25MIN	22
8-1437139-9	FSN-21A-25=JUMPER NOMEX	2.54	25.4	3.18	0.35MAX	0.84MAX	φ0.51	0.25MIN	25
9-1437139-0	FSN-21A-26=JUMPER NOMEX	2.54	25.4	3.18	0.35MAX	0.84MAX	φ0.51	0.25MIN	26
9-1437139-1	FSN-21A-27=JUMPER NOMEX	2.54	25.4	3.18	0.35MAX	0.84MAX	φ0.51	0.25MIN	27
9-1437139-2	FSN-21A-28=JUMPER NOMEX	2.54	25.4	3.18	0.35MAX	0.84MAX	φ0.51	0.25MIN	28
9-1437139-7	FSN-21A-3=JUMPER NOMEX	2.54	25.4	3.18	0.35MAX	0.84MAX	φ0.51	0.25MIN	3
9-1437139-8	FSN-21A-30=JUMPER NOMEX	2.54	25.4	3.18	0.35MAX	0.84MAX	φ0.51	0.25MIN	30
1437140-9	FSN-21A-4=JUMPER NOMEX	2.54	25.4	3.18	0.35MAX	0.84MAX	φ0.51	0.25MIN	4
1-1437140-1	FSN-21A-5=JUMPER NOMEX	2.54	25.4	3.18	0.35MAX	0.84MAX	φ0.51	0.25MIN	5
1-1437140-4	FSN-21A-6=JUMPER NOMEX	2.54	25.4	3.18	0.35MAX	0.84MAX	φ0.51	0.25MIN	6
1-1437140-6	FSN-21A-7=JUMPER NOMEX	2.54	25.4	3.18	0.35MAX	0.84MAX	φ0.51	0.25MIN	7
2-1437140-1	FSN-21A-9=JUMPER NOMEX	2.54	25.4	3.18	0.35MAX	0.84MAX	φ0.51	0.25MIN	9
5-1447185-6	FSN-21A-9PA=JUMPER (PA4.0)	2.54	25.4	4.00	0.35MAX	0.84MAX	φ0.51	0.25MIN	9
5-1447185-9	FSN-21A-14=JUMPER NOMEX	2.54	25.4	3.18	0.35MAX	0.84MAX	φ0.51	0.25MIN	14
6-1447185-2	FSN-21A-5=JUMPER NOMEX	2.54	25.4	3.18	0.35MAX	0.84MAX	φ0.51	0.25MIN	5

THIS DRAWING IS A CONTROLLED DOCUMENT.

DIMENSIONS: mm



TOLERANCES UNLESS OTHERWISE SPECIFIED:

0 PLC	±
1 PLC	±
2 PLC	±
3 PLC	±
4 PLC	±
ANGLES	±

MATERIAL: - FINISH: -

WEIGHT: 0

PRODUCT SPEC: 108-78002

APPLICATION SPEC: -

TE Connectivity Ltd.

FLEXSTRIP JUMPER

SIZE: A3 CAGE CODE: 00779 DRAWING NO: 1447169

RESTRICTED TO: -

CUSTOMER DRAWING SCALE: NTS SHEET: 7 of 9 REV: A8

P	LTR	DESCRIPTION	DATE	DWN	APVD
-	-	SEE SHEET 1	-	-	-

FSN SERIES NO.3

P/N	Description	Pitch (A)	Tape Length (B)	Pin Length (C)	Tape Thickness (D)	Tape Thickness (E)	Pin Diameter (F)	Margin (G)	POS
2-1437141-9	FSN-22.5A-10= JUMPER NOMEX	2.54	63.5	3.18	0.35MAX	0.84MAX	φ0.51	0.25MIN	10
3-1437141-0	FSN-22.5A-11= JUMPER NOMEX	2.54	63.5	3.18	0.35MAX	0.84MAX	φ0.51	0.25MIN	11
3-1437141-1	FSN-22.5A-12= JUMPER NOMEX	2.54	63.5	3.18	0.35MAX	0.84MAX	φ0.51	0.25MIN	12
7-1447185-4	FSN-22.5A-14PA JUMPER NOMEX	2.54	63.5	4.00	0.35MAX	0.84MAX	φ0.51	0.25MIN	14
3-1437141-4	FSN-22.5A-15= JUMPER NOMEX	2.54	63.5	3.18	0.35MAX	0.84MAX	φ0.51	0.25MIN	15
3-1437141-5	FSN-22.5A-16= JUMPER NOMEX	2.54	63.5	3.18	0.35MAX	0.84MAX	φ0.51	0.25MIN	16
3-1437141-7	FSN-22.5A-18= JUMPER NOMEX	2.54	63.5	3.18	0.35MAX	0.84MAX	φ0.51	0.25MIN	18
8-1447185-8	FSN-22.5A-19= JUMPER NOMEX	2.54	63.5	3.18	0.35MAX	0.84MAX	φ0.51	0.25MIN	19
3-1437141-9	FSN-22.5A-20= JUMPER NOMEX	2.54	63.5	3.18	0.35MAX	0.84MAX	φ0.51	0.25MIN	20
4-1437141-2	FSN-22.5A-22= JUMPER NOMEX	2.54	63.5	3.18	0.35MAX	0.84MAX	φ0.51	0.25MIN	22
9-1447185-6	FSN-22.5A-25= JUMPER NOMEX	2.54	63.5	3.18	0.35MAX	0.84MAX	φ0.51	0.25MIN	25
1447186-1	FSN-22.5A-26= JUMPER NOMEX	2.54	63.5	3.18	0.35MAX	0.84MAX	φ0.51	0.25MIN	26
4-1437141-9	FSN-22.5A-3= JUMPER NOMEX	2.54	63.5	3.18	0.35MAX	0.84MAX	φ0.51	0.25MIN	3
1447186-6	FSN-22.5A-30= JUMPER NOMEX	2.54	63.5	3.18	0.35MAX	0.84MAX	φ0.51	0.25MIN	30
1447186-8	FSN-22.5A-31= JUMPER NOMEX	2.54	63.5	3.18	0.35MAX	0.84MAX	φ0.51	0.25MIN	31
5-1437141-1	FSN-22.5A-4= JUMPER NOMEX	2.54	63.5	3.18	0.35MAX	0.84MAX	φ0.51	0.25MIN	4
5-1437141-2	FSN-22.5A-5= JUMPER NOMEX	2.54	63.5	3.18	0.35MAX	0.84MAX	φ0.51	0.25MIN	5
5-1437141-3	FSN-22.5A-6= JUMPER NOMEX	2.54	63.5	3.18	0.35MAX	0.84MAX	φ0.51	0.25MIN	6
5-1437141-4	FSN-22.5A-7= JUMPER NOMEX	2.54	63.5	3.18	0.35MAX	0.84MAX	φ0.51	0.25MIN	7
5-1437141-5	FSN-22.5A-8= JUMPER NOMEX	2.54	63.5	3.18	0.35MAX	0.84MAX	φ0.51	0.25MIN	8
5-1437141-6	FSN-22.5A-9= JUMPER NOMEX	2.54	63.5	3.18	0.35MAX	0.84MAX	φ0.51	0.25MIN	9
2-1437142-8	FSN-22A-10= JUMPER NOMEX	2.54	50.8	3.18	0.35MAX	0.84MAX	φ0.51	0.25MIN	10
3-1437142-0	FSN-22A-11= JUMPER NOMEX	2.54	50.8	3.18	0.35MAX	0.84MAX	φ0.51	0.25MIN	11
3-1437142-2	FSN-22A-12= JUMPER NOMEX	2.54	50.8	3.18	0.35MAX	0.84MAX	φ0.51	0.25MIN	12
3-1437142-3	FSN-22A-13= JUMPER NOMEX	2.54	50.8	3.18	0.35MAX	0.84MAX	φ0.51	0.25MIN	13
3-1437142-4	FSN-22A-14= JUMPER NOMEX	2.54	50.8	3.18	0.35MAX	0.84MAX	φ0.51	0.25MIN	14
3-1437142-5	FSN-22A-15= JUMPER NOMEX	2.54	50.8	3.18	0.35MAX	0.84MAX	φ0.51	0.25MIN	15
3-1437142-6	FSN-22A-16= JUMPER NOMEX	2.54	50.8	3.18	0.35MAX	0.84MAX	φ0.51	0.25MIN	16
3-1437142-7	FSN-22A-17= JUMPER NOMEX	2.54	50.8	3.18	0.35MAX	0.84MAX	φ0.51	0.25MIN	17
3-1437142-8	FSN-22A-18= JUMPER NOMEX	2.54	50.8	3.18	0.35MAX	0.84MAX	φ0.51	0.25MIN	18
3-1437142-9	FSN-22A-19= JUMPER NOMEX	2.54	50.8	3.18	0.35MAX	0.84MAX	φ0.51	0.25MIN	19
4-1437142-0	FSN-22A-2= JUMPER NOMEX	2.54	50.8	3.18	0.35MAX	0.84MAX	φ0.51	0.25MIN	2
4-1437142-1	FSN-22A-20= JUMPER NOMEX	2.54	50.8	3.18	0.35MAX	0.84MAX	φ0.51	0.25MIN	20
4-1437142-3	FSN-22A-21= JUMPER NOMEX	2.54	50.8	3.18	0.35MAX	0.84MAX	φ0.51	0.25MIN	21
4-1437142-4	FSN-22A-22= JUMPER NOMEX	2.54	50.8	3.18	0.35MAX	0.84MAX	φ0.51	0.25MIN	22
4-1437142-5	FSN-22A-23= JUMPER NOMEX	2.54	50.8	3.18	0.35MAX	0.84MAX	φ0.51	0.25MIN	23
4-1437142-6	FSN-22A-24= JUMPER NOMEX	2.54	50.8	3.18	0.35MAX	0.84MAX	φ0.51	0.25MIN	24
4-1437142-9	FSN-22A-25= JUMPER NOMEX	2.54	50.8	3.18	0.35MAX	0.84MAX	φ0.51	0.25MIN	25
5-1437142-0	FSN-22A-26= JUMPER NOMEX	2.54	50.8	3.18	0.35MAX	0.84MAX	φ0.51	0.25MIN	26
7-1447186-7	FSN-22A-28= JUMPER NOMEX	2.54	50.8	3.18	0.35MAX	0.84MAX	φ0.51	0.25MIN	28
5-1437142-2	FSN-22A-3= JUMPER NOMEX	2.54	50.8	3.18	0.35MAX	0.84MAX	φ0.51	0.25MIN	3
5-1437142-3	FSN-22A-30= JUMPER NOMEX	2.54	50.8	3.18	0.35MAX	0.84MAX	φ0.51	0.25MIN	30
8-1447186-5	FSN-22A-31= JUMPER NOMEX	2.54	50.8	3.18	0.35MAX	0.84MAX	φ0.51	0.25MIN	31
9-1447186-0	FSN-22A-34= JUMPER NOMEX	2.54	50.8	3.18	0.35MAX	0.84MAX	φ0.51	0.25MIN	34
9-1447186-1	FSN-22A-37= JUMPER NOMEX	2.54	50.8	3.18	0.35MAX	0.84MAX	φ0.51	0.25MIN	37
5-1437142-9	FSN-22A-4= JUMPER NOMEX	2.54	50.8	3.18	0.35MAX	0.84MAX	φ0.51	0.25MIN	4
9-1447186-7	FSN-22A-4PA =JUMPER (PA4.0)	2.54	50.8	4.00	0.35MAX	0.84MAX	φ0.51	0.25MIN	4
6-1437142-2	FSN-22A-5= JUMPER NOMEX	2.54	50.8	3.18	0.35MAX	0.84MAX	φ0.51	0.25MIN	5
1447187-1	FSN-22A-5PA =JUMPER (PA4.0)	2.54	50.8	4.00	0.35MAX	0.84MAX	φ0.51	0.25MIN	5
6-1437142-7	FSN-22A-6= JUMPER NOMEX	2.54	50.8	3.18	0.35MAX	0.84MAX	φ0.51	0.25MIN	6
6-1437142-9	FSN-22A-7= JUMPER NOMEX	2.54	50.8	3.18	0.35MAX	0.84MAX	φ0.51	0.25MIN	7
7-1437142-2	FSN-22A-8= JUMPER NOMEX	2.54	50.8	3.18	0.35MAX	0.84MAX	φ0.51	0.25MIN	8
1447178-7	FSN-22A-8PA= JUMPER NOMEX	2.54	50.8	4.00	0.35MAX	0.84MAX	φ0.51	0.25MIN	8
7-1437142-5	FSN-22A-9= JUMPER NOMEX	2.54	50.8	3.18	0.35MAX	0.84MAX	φ0.51	0.25MIN	9
1-1447187-3	FSN-22AB-8= JUMPER NOMEX	2.54	50.8	3.18	0.35MAX	0.84MAX	φ0.51	0.25MIN	8
1437143-2	FSN-22B-20= JUMPER NOMEX	2.54	50.8	3.18	0.35MAX	0.84MAX	φ0.51	0.25MIN	20
6-1437143-4	FSN-23.5A-10= JUMPER NOMEX	2.54	88.9	3.18	0.35MAX	0.84MAX	φ0.51	0.25MIN	10
6-1437143-5	FSN-23.5A-11= JUMPER NOMEX	2.54	88.9	3.18	0.35MAX	0.84MAX	φ0.51	0.25MIN	11
6-1437143-6	FSN-23.5A-12= JUMPER NOMEX	2.54	88.9	3.18	0.35MAX	0.84MAX	φ0.51	0.25MIN	12
6-1437143-8	FSN-23.5A-14= JUMPER NOMEX	2.54	88.9	3.18	0.35MAX	0.84MAX	φ0.51	0.25MIN	14
2069384-1	FSN-23.5A-21= JUMPER NOMEX	2.54	88.9	3.18	0.35MAX	0.84MAX	φ0.51	0.25MIN	21

THIS DRAWING IS A CONTROLLED DOCUMENT.

DIMENSIONS: mm

TOLERANCES UNLESS OTHERWISE SPECIFIED:

0 PLC ± -
 1 PLC ± -
 2 PLC ± -
 3 PLC ± -
 4 PLC ± -
 ANGLES ± -

MATERIAL: - FINISH: -

SEE SHEET 1

PRODUCT SPEC: 108-78002

APPLICATION SPEC: -

WEIGHT: 0

CUSTOMER DRAWING

DWN: -
 CHK: -
 APVD: -

NAME: FLEXSTRIP JUMPER

SIZE: A3 CAGE CODE: 00779 DRAWING NO: C-1447169 RESTRICTED TO: -

SCALE: NTS SHEET: 8 OF 9 REV: A8

STE TE Connectivity Ltd.

P	LTR	DESCRIPTION	DATE	DWN	APVD
-	-	SEE SHEET 1	-	-	-

FSN SERIES NO.4

P/N	Description	Pitch (A)	Tape Length (B)	Pin Length (C)	Tape Thickness (D)	Tape Thickness (E)	Pin Diameter (F)	Margin (G)	POS
8-1437143-5	FSN-23A-8= JUMPER NOMEX	2.54	88.9	3.18	0.35MAX	0.84MAX	φ0.51	0.25MIN	8
8-1437143-6	FSN-23A-9= JUMPER NOMEX	2.54	88.9	3.18	0.35MAX	0.84MAX	φ0.51	0.25MIN	9
2-1437144-5	FSN-23A-10= JUMPER NOMEX	2.54	76.2	3.18	0.35MAX	0.84MAX	φ0.51	0.25MIN	10
2-1437144-7	FSN-23A-11= JUMPER NOMEX	2.54	76.2	3.18	0.35MAX	0.84MAX	φ0.51	0.25MIN	11
3-1437144-0	FSN-23A-13= JUMPER NOMEX	2.54	76.2	3.18	0.35MAX	0.84MAX	φ0.51	0.25MIN	13
3-1437144-1	FSN-23A-14= JUMPER NOMEX	2.54	76.2	3.18	0.35MAX	0.84MAX	φ0.51	0.25MIN	14
3-1437144-3	FSN-23A-15= JUMPER NOMEX	2.54	76.2	3.18	0.35MAX	0.84MAX	φ0.51	0.25MIN	15
3-1437144-4	FSN-23A-16= JUMPER NOMEX	2.54	76.2	3.18	0.35MAX	0.84MAX	φ0.51	0.25MIN	16
3-1437144-6	FSN-23A-18= JUMPER NOMEX	2.54	76.2	3.18	0.35MAX	0.84MAX	φ0.51	0.25MIN	18
4-1447187-2	FSN-23A-18-3.5= JUMPER (PL3.5)	2.54	76.2	3.50	0.35MAX	0.84MAX	φ0.51	0.25MIN	18
3-1437144-8	FSN-23A-19= JUMPER NOMEX	2.54	76.2	3.18	0.35MAX	0.84MAX	φ0.51	0.25MIN	19
4-1437144-0	FSN-23A-20= JUMPER NOMEX	2.54	76.2	3.18	0.35MAX	0.84MAX	φ0.51	0.25MIN	20
4-1437144-2	FSN-23A-21= JUMPER NOMEX	2.54	76.2	3.18	0.35MAX	0.84MAX	φ0.51	0.25MIN	21
4-1437144-3	FSN-23A-22= JUMPER NOMEX	2.54	76.2	3.18	0.35MAX	0.84MAX	φ0.51	0.25MIN	22
4-1437144-4	FSN-23A-23= JUMPER NOMEX	2.54	76.2	3.18	0.35MAX	0.84MAX	φ0.51	0.25MIN	23
4-1437144-5	FSN-23A-24= JUMPER NOMEX	2.54	76.2	3.18	0.35MAX	0.84MAX	φ0.51	0.25MIN	24
4-1437144-6	FSN-23A-25= JUMPER NOMEX	2.54	76.2	3.18	0.35MAX	0.84MAX	φ0.51	0.25MIN	25
4-1437144-7	FSN-23A-26= JUMPER NOMEX	2.54	76.2	3.18	0.35MAX	0.84MAX	φ0.51	0.25MIN	26
5-1437144-1	FSN-23A-30= JUMPER NOMEX	2.54	76.2	3.18	0.35MAX	0.84MAX	φ0.51	0.25MIN	30
5-1437144-6	FSN-23A-4= JUMPER NOMEX	2.54	76.2	3.18	0.35MAX	0.84MAX	φ0.51	0.25MIN	4
5-1437144-8	FSN-23A-5= JUMPER NOMEX	2.54	76.2	3.18	0.35MAX	0.84MAX	φ0.51	0.25MIN	5
5-1437144-9	FSN-23A-6= JUMPER NOMEX	2.54	76.2	3.18	0.35MAX	0.84MAX	φ0.51	0.25MIN	6
6-1447187-9	FSN-23A-6PA= JUMPER (PA4.0)	2.54	76.2	4.00	0.35MAX	0.84MAX	φ0.51	0.25MIN	6
6-1437144-0	FSN-23A-7= JUMPER NOMEX	2.54	76.2	3.18	0.35MAX	0.84MAX	φ0.51	0.25MIN	7
7-1447187-1	FSN-23A-8-3.5= JUMPER (PL3.5)	2.54	76.2	3.18 ^{±0.76}	0.35MAX	0.84MAX	φ0.51	0.25MIN	8
3-1447187-1	FSN-23A-11-3.5= JUMPER (PL3.5)	2.54	76.2	3.18 ^{±0.76}	0.35MAX	0.84MAX	φ0.51	0.25MIN	11
6-1437144-3	FSN-23A-9= JUMPER NOMEX	2.54	76.2	3.18	0.35MAX	0.84MAX	φ0.51	0.25MIN	9
7-1447187-8	FSN-23B-12= JUMPER NOMEX	2.54	76.2	3.18	0.35MAX	0.84MAX	φ0.51	0.25MIN	12
4-1437145-8	FSN-24A-10= JUMPER NOMEX	2.54	101.6	3.18	0.35MAX	0.84MAX	φ0.51	0.25MIN	10
8-1447178-7	FSN-24A-12PA= JUMPER NOMEX	2.54	101.6	4.00	0.35MAX	0.84MAX	φ0.51	0.25MIN	12
5-1437145-4	FSN-24A-14= JUMPER NOMEX	2.54	101.6	3.18	0.35MAX	0.84MAX	φ0.51	0.25MIN	14
5-1437145-6	FSN-24A-15= JUMPER NOMEX	2.54	101.6	3.18	0.35MAX	0.84MAX	φ0.51	0.25MIN	15
6-1437145-4	FSN-24A-2= JUMPER NOMEX	2.54	101.6	3.18	0.35MAX	0.84MAX	φ0.51	0.25MIN	2
6-1437145-5	FSN-24A-20= JUMPER NOMEX	2.54	101.6	3.18	0.35MAX	0.84MAX	φ0.51	0.25MIN	20
7-1437145-1	FSN-24A-25= JUMPER NOMEX	2.54	101.6	3.18	0.35MAX	0.84MAX	φ0.51	0.25MIN	25
8-1437145-1	FSN-24A-4= JUMPER NOMEX	2.54	101.6	3.18	0.35MAX	0.84MAX	φ0.51	0.25MIN	4
8-1437145-4	FSN-24A-5= JUMPER NOMEX	2.54	101.6	3.18	0.35MAX	0.84MAX	φ0.51	0.25MIN	5
8-1437145-6	FSN-24A-7= JUMPER NOMEX	2.54	101.6	3.18	0.35MAX	0.84MAX	φ0.51	0.25MIN	7
8-1437145-8	FSN-24A-8= JUMPER NOMEX	2.54	101.6	3.18	0.35MAX	0.84MAX	φ0.51	0.25MIN	8
2-1447188-2	FSN-25A-10= JUMPER NOMEX	2.54	127.0	3.18	0.35MAX	0.84MAX	φ0.51	0.25MIN	10
2-1447188-4	FSN-25A-11= JUMPER NOMEX	2.54	127.0	3.18	0.35MAX	0.84MAX	φ0.51	0.25MIN	11
2-1447188-8	FSN-25A-15= JUMPER NOMEX	2.54	127.0	3.18	0.35MAX	0.84MAX	φ0.51	0.25MIN	15
3-1447188-3	FSN-25A-20= JUMPER NOMEX	2.54	127.0	3.18	0.35MAX	0.84MAX	φ0.51	0.25MIN	20
3-1447188-6	FSN-25A-22= JUMPER NOMEX	2.54	127.0	3.18	0.35MAX	0.84MAX	φ0.51	0.25MIN	22
4-1447188-0	FSN-25A-3= JUMPER NOMEX	2.54	127.0	3.18	0.35MAX	0.84MAX	φ0.51	0.25MIN	3
4-1447188-7	FSN-25A-6= JUMPER NOMEX	2.54	127.0	3.18	0.35MAX	0.84MAX	φ0.51	0.25MIN	6
4-1447188-9	FSN-25A-7= JUMPER NOMEX	2.54	127.0	3.18	0.35MAX	0.84MAX	φ0.51	0.25MIN	7
9-1437146-1	FSN-26A-12= JUMPER NOMEX	2.54	152.4	3.18	0.35MAX	0.84MAX	φ0.51	0.25MIN	12
9-1437146-3	FSN-26A-14= JUMPER NOMEX	2.54	152.4	3.18	0.35MAX	0.84MAX	φ0.51	0.25MIN	14
9-1437146-6	FSN-26A-16= JUMPER NOMEX	2.54	152.4	3.18	0.35MAX	0.84MAX	φ0.51	0.25MIN	16
6-1447188-3	FSN-26A-2= JUMPER NOMEX	2.54	152.4	3.18	0.35MAX	0.84MAX	φ0.51	0.25MIN	2
1437147-9	FSN-26A-4= JUMPER NOMEX	2.54	152.4	3.18	0.35MAX	0.84MAX	φ0.51	0.25MIN	4
1-1437147-1	FSN-26A-5= JUMPER NOMEX	2.54	152.4	3.18	0.35MAX	0.84MAX	φ0.51	0.25MIN	5
1-1437147-3	FSN-26A-7= JUMPER NOMEX	2.54	152.4	3.18	0.35MAX	0.84MAX	φ0.51	0.25MIN	7
6-1447188-8	FSN-26A-8= JUMPER NOMEX	2.54	152.4	3.18	0.35MAX	0.84MAX	φ0.51	0.25MIN	8
8-1437147-9	FSN-28A-3= JUMPER NOMEX	2.54	203.2	3.18	0.35MAX	0.84MAX	φ0.51	0.25MIN	3
9-1437147-1	FSN-28A-4= JUMPER NOMEX	2.54	203.2	3.18	0.35MAX	0.84MAX	φ0.51	0.25MIN	4
9-1437147-2	FSN-28A-5= JUMPER NOMEX	2.54	203.2	3.18	0.35MAX	0.84MAX	φ0.51	0.25MIN	5
9-1447188-0	FSN-29A-4= JUMPER NOMEX	2.54	228.6	3.18	0.35MAX	0.84MAX	φ0.51	0.25MIN	4
4-1437148-7	FSN-31A-3= JUMPER NOMEX	3.18	25.4	3.18	0.35MAX	0.84MAX	φ0.51	0.25MIN	3
8-1437149-9	FSN-52A-17= JUMPER NOMEX	5.08	50.8	3.18	0.35MAX	0.84MAX	φ0.51	0.25MIN	17
9-1437149-9	FSN-52A-2= JUMPER NOMEX	5.08	50.8	3.18	0.35MAX	0.84MAX	φ0.51	0.25MIN	2

THIS DRAWING IS A CONTROLLED DOCUMENT.

DWN -
CHK -
APVD -

SEE SHEET 1

PRODUCT SPEC 108-78002

APPLICATION SPEC -

WEIGHT 0

CUSTOMER DRAWING

TE Connectivity Ltd.

FLEXSTRIP JUMPER

SIZE A3 CAGE CODE 00779 DRAWING NO C-1447169 RESTRICTED TO -

SCALE NTS SHEET 9 OF 9 REV A8

单击下面可查看定价，库存，交付和生命周期等信息

[>>TE Connectivity\(泰科\)](#)