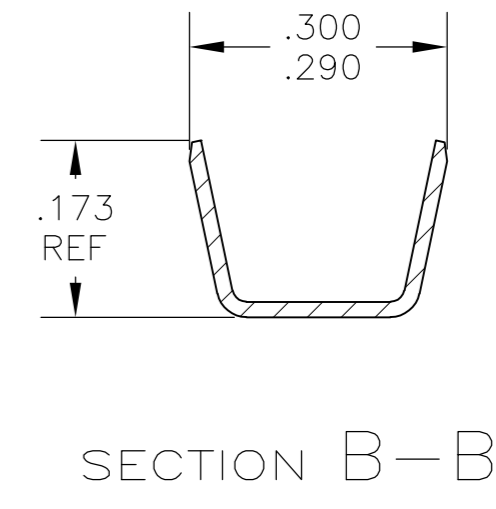
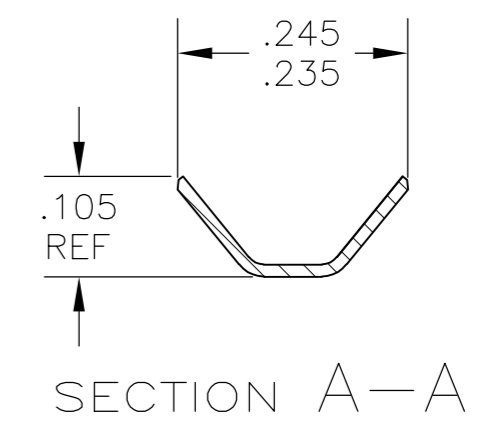
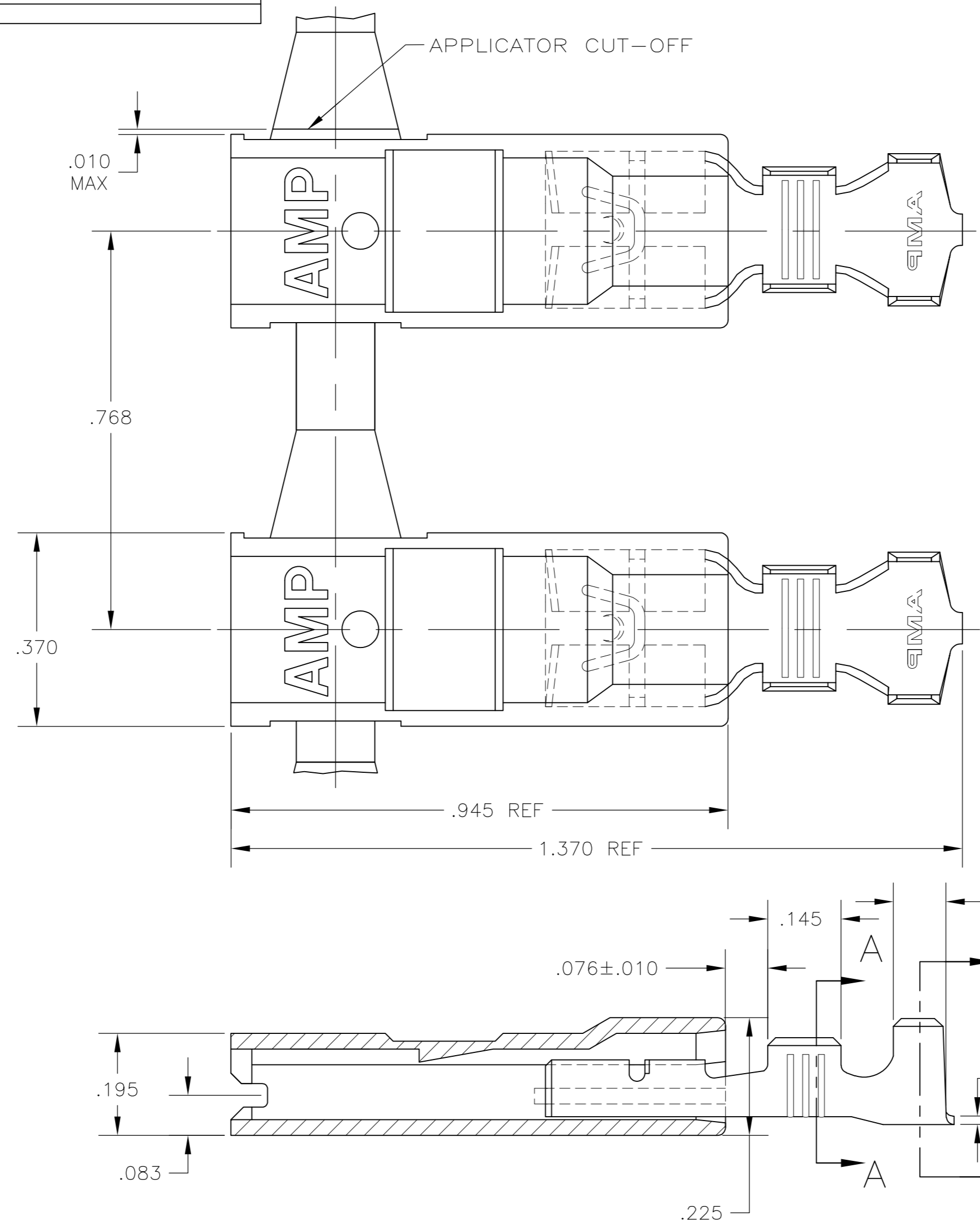


THIS DRAWING IS UNPUBLISHED. RELEASED FOR PUBLICATION
 © COPYRIGHT - By - ALL RIGHTS RESERVED.

LOC	DIST	REVISIONS			
P	LTR	DESCRIPTION	DATE	DWN	APVD
AF	50				
	D2	REVISED PER ECR-12-013219	08JAN13	KH	KR



- 1 LOW-INSERTION FASTON TERMINALS ARE USED IN THIS PRODUCT.
- 2 TIN PLATE PER .000080 MIN
- 3 WIRE SIZE IS 18-14 OR TWO 18'S AWG OR TWO 20'S AWG
- 4 INSULATION RANGE IS .110-.180 DIA OR TWO .105 MAX DIA
- 5 MATING TAB THK IS .032±.001

STANDARD	6/6 VO NYLON, NATURAL	BRASS - TIN	2	521632-2
STANDARD	6/6 VO NYLON, NATURAL	BRASS - PLAIN		521632-1
PACKAGING	HOUSING MATERIAL & FINISH	TERMINAL MATERIAL & FINISH		PART NO.

THIS DRAWING IS A CONTROLLED DOCUMENT.		DWN	JR RUTH	12MAY03	 TE Connectivity	
DIMENSIONS: INCHES		CHK	MS FEHER	12MAY03		
TOLERANCES UNLESS OTHERWISE SPECIFIED:		APVD	J HUMMEL	12MAY03		
0 PLC ± - 1 PLC ± - 2 PLC ± - 3 PLC ± .010 4 PLC ± - ANGLES ± - FINISH SEE TABLE		PRODUCT SPEC	108-1285			NAME
MATERIAL	SEE TABLE	APPLICATION SPEC	114-2124		SIZE	A2
		WEIGHT	-		CAGE CODE	00779
		CUSTOMER DRAWING			DRAWING NO	C=521632
		SCALE	5:1		SHEET	1 of 1
		REV	D2			

单击下面可查看定价，库存，交付和生命周期等信息

[>>TE Connectivity\(泰科\)](#)