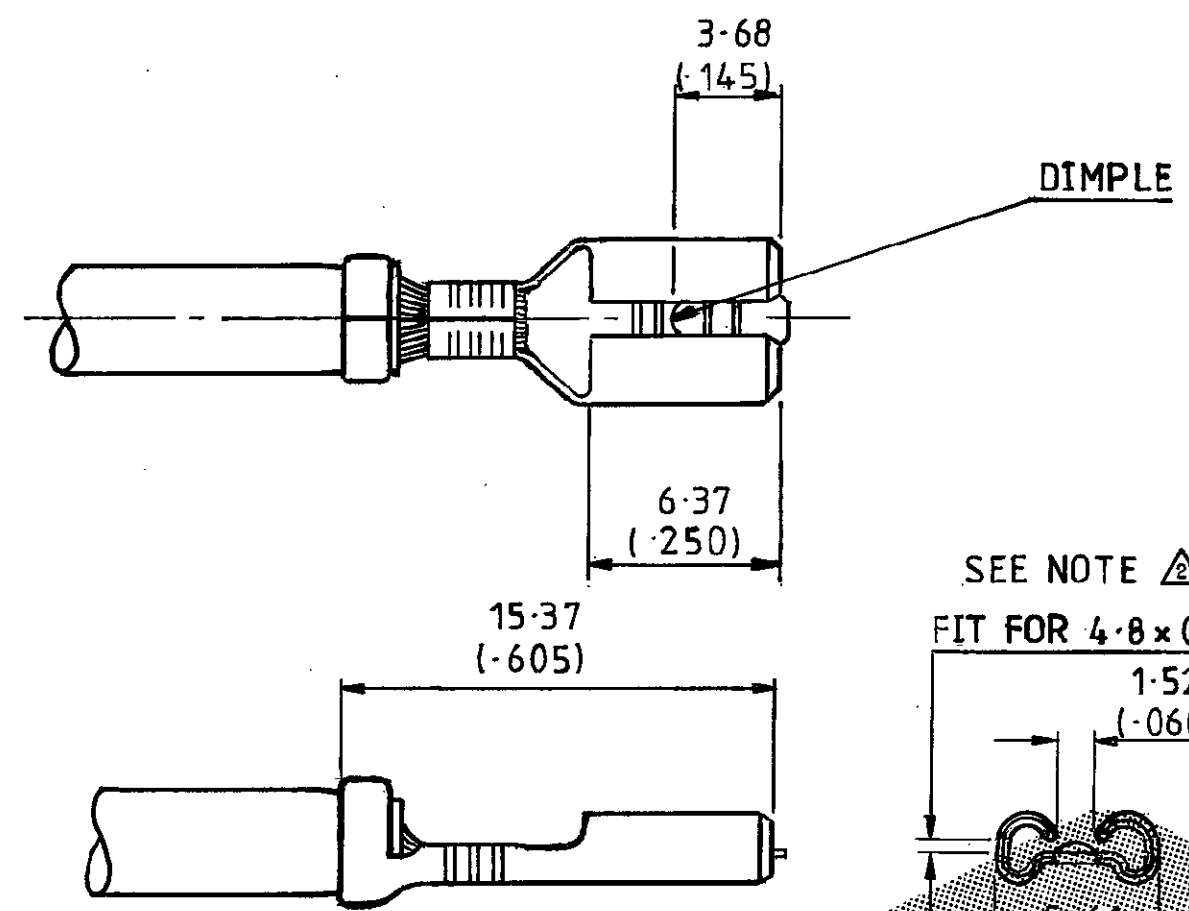


**DO NOT SCALE**  
DIMENSIONS IN m.m.  
(IMPERIAL IN BRACKETS)

**METRIC**



SEE NOTE  $\Delta$   
FIT FOR 4-8 x 0-81 (.187 x .032) TAB

SEE NOTE  $\Delta$   
SEE NOTE  $\Delta$   
SEE NOTE  $\Delta$   
SEE NOTE  $\Delta$

$\Delta$  MAX. INSERTION FORCE  
33N (7.5 lbf) WITH 0-81 TAB.

$\Delta$  TO SUIT 4-8 x 0-51 (.187 x 0-020) TAB  
(PART NO 150681-8)

LOOSE PIECE	FINISH	MATERIAL	PART NUMBER
	NONE	BRASS	1-150681-3
	ELECTRO-TIN	PHOS. BRONZE	1-150681-2
	NONE	PHOS. BRONZE	1-150681-1
	NONE	NICKEL SILVER	150681-8
	NONE	NICKEL SILVER	150681-7
	NICKEL	STEEL	150681-6
	NONE	STEEL	150681-5
151457-4	ELECTRO-TIN	BRASS	150681-4
151457-3	NONE	BRASS	150681-3
151457-2	ELECTRO-TIN	PHOS. BRONZE	150681-2
151457-1	NONE	PHOS. BRONZE	150681-1

**CUSTOMER DWG**  
FOR REFERENCE ONLY

THIS DRAWING IS UNPUBLISHED | RELEASED FOR PUBLICATION 1963BP  
© COPYRIGHT 19 BY AMP OF GREAT BRITAIN LTD. ALL INTERNATIONAL RIGHTS RESERVED. AMP PRODUCTS MAY BE COVERED BY BRITISH AND FOREIGN PATENTS AND/OR PATENTS PENDING.

ISS	REVISION RECORD	DR	DATE	ISS	REVISION RECORD	DR	DATE
		F	10-5-82		REDRAWN	D.M.	10-5-82
		E	1-8-79		-7 ADDED	D.M.	1-8-79
		D	2-11-76		-5 & 6 ADDED	P.S.	2-11-76
		C	10-10-74		CHAMFER ADDED	P.S.	10-10-74
		B	25-9-73		-4 ADDED	P.S.	25-9-73
		A	6-3-73		TABLE UPDATED		6-3-73

TOLERANCES UNLESS OTHERWISE STATED:-  
DEC  $\pm$  0,5  
ANGLES  $\pm$  1°  
DR. A.B.HAYDEN  
CHK. *M. V. V.*  
APP. *M. V. V.*

INS. DIA. RANGE	WIRE RANGE	SCALE
.090 - .130	20 - 16 AWG.	4:1
<b>AMP</b> of Great Britain Ltd.		
TERMINAL HOUSE, STANMORE, MIDDX.		
NAME WIRE TERMINAL .187		
SERIES FASTON REECEPLE		
A3	LOC. DWG. NO.	SHEET
E	C150681	1 of 1

单击下面可查看定价，库存，交付和生命周期等信息

[>>TE Connectivity\(泰科\)](#)