

THIS DRAWING IS UNPUBLISHED.

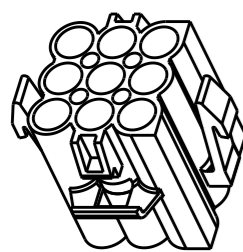
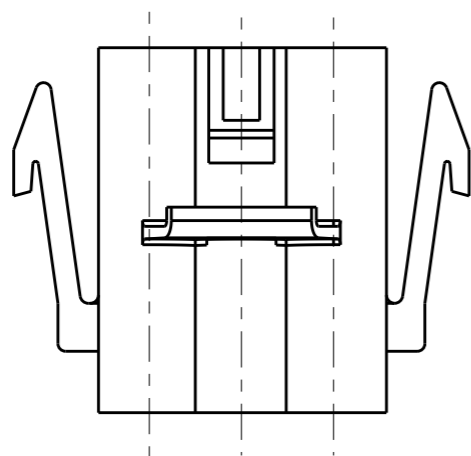
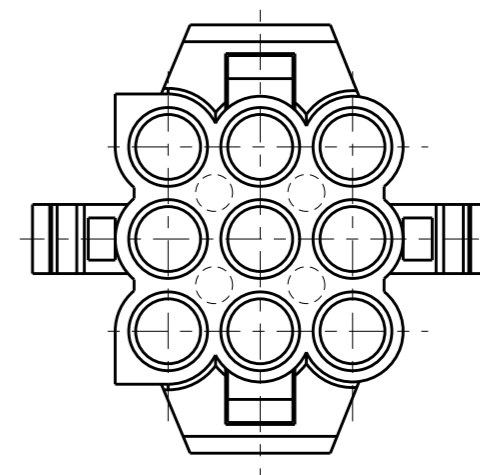
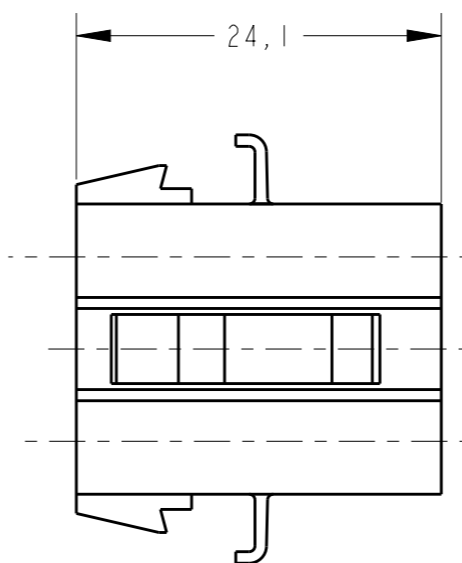
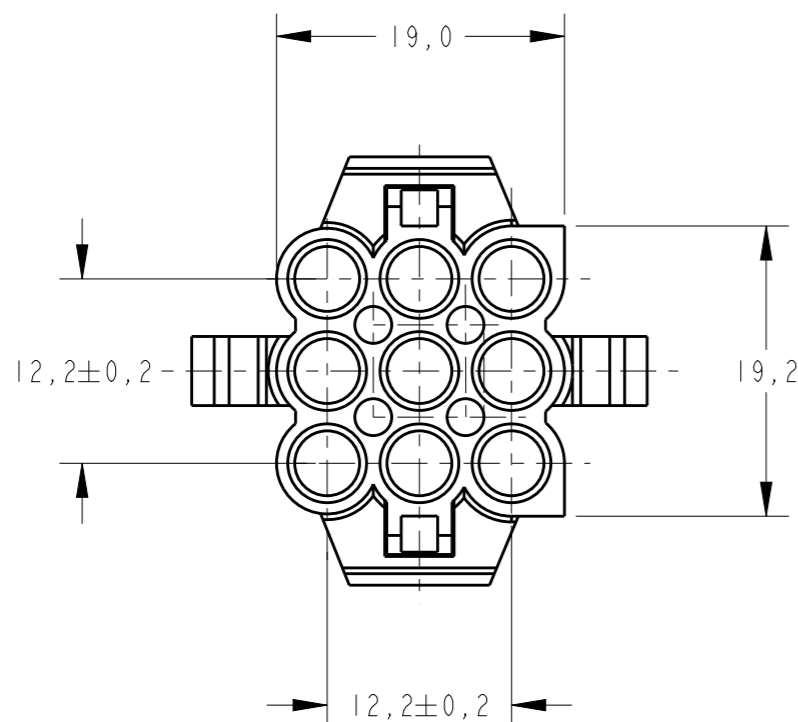
RELEASED FOR PUBLICATION

20

© COPYRIGHT 20 BY - ALL RIGHTS RESERVED.

REVISIONS

P	LTR	DESCRIPTION	DATE	DWN	APVD
	C2	REDRAWN REV. ECO16-006713	06JUN2016	HC	WLS



SCALE 1:1

OBSOLETE	NATURAL	PA 6.6 VI5	880124 6
OBSOLETE	RED	PA 6.6	880124 5
OBSOLETE	BLUE	PA 6.6	880124 4
OBSOLETE	GREEN	PA 6.6	880124-3
OBSOLETE	WHITE	PA 6.6	880124 2
OBSOLETE	BLACK	PA 6.6	880124 1
	NATURAL	PA 6.6	880124-0
NOTE	FINISH	MATERIAL	PART NUMBER

THIS DRAWING IS A CONTROLLED DOCUMENT.

DWN 24MAY2016

H.C. CANTERI

CHK 25MAY2016

W.L. STEFANI

APVD -

PRODUCT SPEC -

APPLICATION SPEC -

WEIGHT -

CUSTOMER DRAWING



TE Connectivity

NAME 9 CIRCUIT .140 DIA.MATE-N-LOK PLUG

SIZE A3 CAGE CODE 00779 DRAWING NO C-880124 RESTRICTED TO -

SCALE 2:1 SHEET 1 OF 1 REV C2

DIMENSIONS:		TOLERANCES UNLESS OTHERWISE SPECIFIED:	
mm		0 PLC	±-
		1 PLC	±0,5
		2 PLC	±-
		3 PLC	±-
		4 PLC	±-
MATERIAL -		ANGLES	±1°
FINISH -			

单击下面可查看定价，库存，交付和生命周期等信息

[>>TE Connectivity\(泰科\)](#)