

4

3

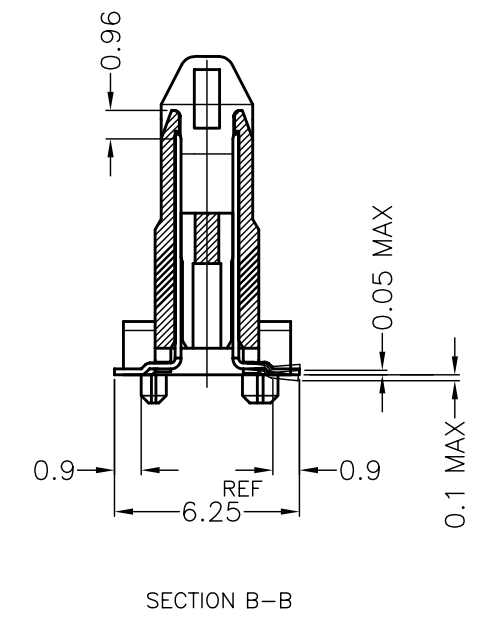
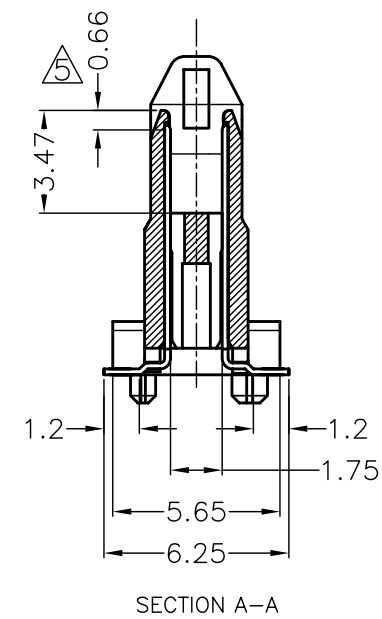
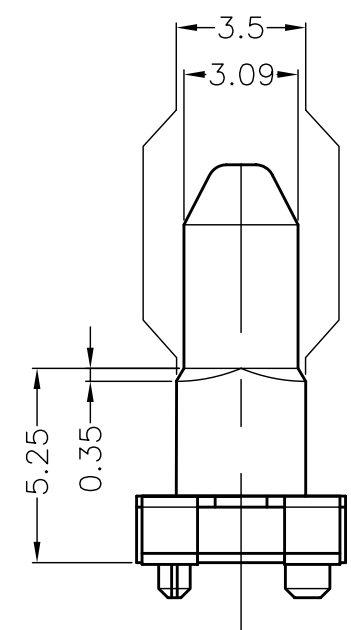
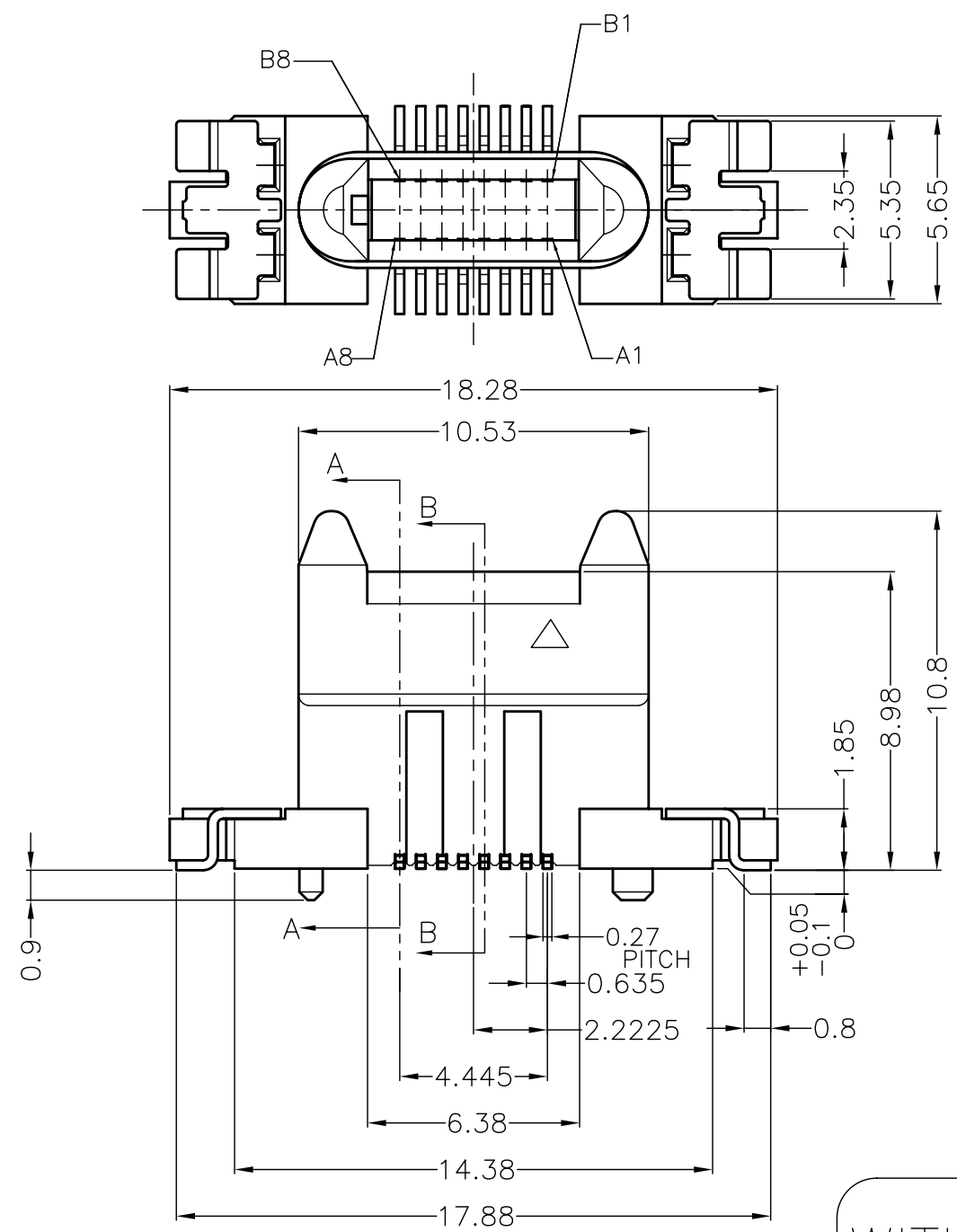
2

1

THIS DRAWING IS UNPUBLISHED. RELEASED FOR PUBLICATION
 © COPYRIGHT BY TYCO ELECTRONICS CORPORATION. ALL RIGHTS RESERVED.

LOC	DIST	REVISIONS			
P	LTR	DESCRIPTION	DATE	DWN	APVD
		F1	REVISED (ECR-09-003882)	19FEB09	B.W H.K

AS SHOWN; 2023089-1~3



WITHOUT CAP CONDITION

④	2023089-3
③	2023089-2
②	2023089-1
FINISH	P/N

1	CAP	④
2	SOLDER PEG	③
16	CONTACT	②
1	HOUSING	①
Q'TY	NAME	ITEM NO.

THIS DRAWING IS A CONTROLLED DOCUMENT.		DWN	G.SHIH	02JAN08	Tyco Electronics Corporation Taipei, Taiwan	
DIMENSIONS: mm		CHK	M.CHAO	18JAN08	NAME	
TOLERANCES UNLESS OTHERWISE SPECIFIED:		APVD	H.KODAMA	18JAN08	ASSY	
0 PLC ± -		PRODUCT SPEC	108-99014	0.635mm PITCH BAY CONNECTOR, PLUG 16POS		
1 PLC ± - ±0.25		APPLICATION SPEC		SIZE	CAGE CODE	DRAWING NO
2 PLC ± - ±3°		WEIGHT		A3	00779	2023089
3 PLC ± - ±3°		CUSTOMER DRAWING		SCALE	SHEET	REV
4 PLC ± -				5:1	1 of 4	F1
ANGLES ± -						
MATERIAL	FINISH					
①	SEE TABLE					

4

3

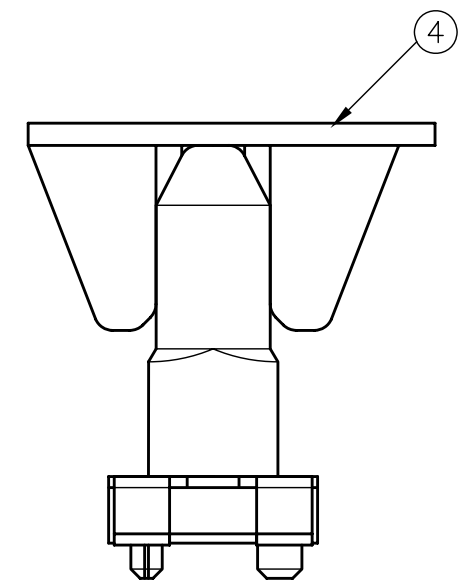
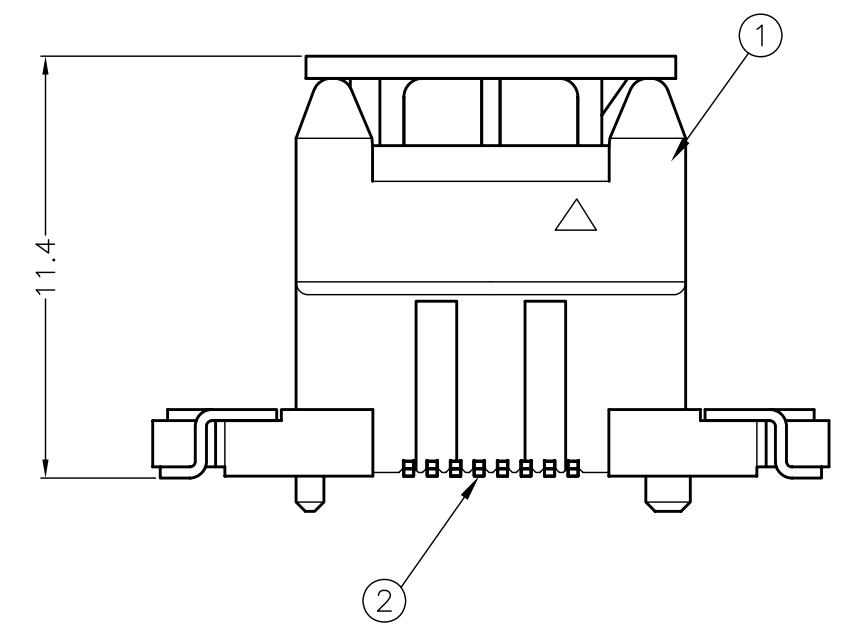
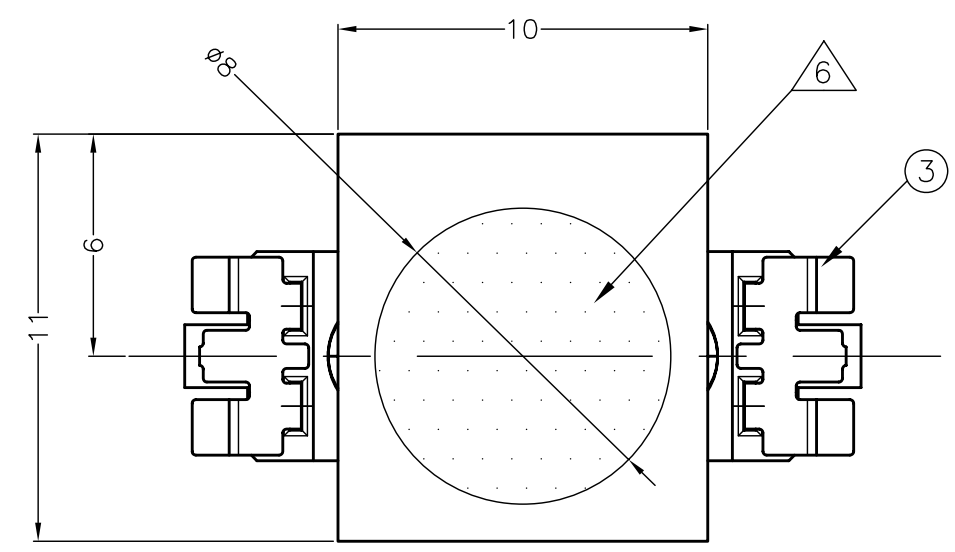
2

1

THIS DRAWING IS UNPUBLISHED. RELEASED FOR PUBLICATION
 © COPYRIGHT BY TYCO ELECTRONICS CORPORATION. ALL RIGHTS RESERVED.

LOC	DIST	REVISIONS				
P	LTR	DESCRIPTION	DATE	DWN	APVD	
		SEE SHEET 1				

AS SHOWN;2023089-1~3



NOTE

- ① MATERIAL: ① HOUSING: THERMO-PLASTIC(UL94V-0,BLACK)
 ② CONTACT: COPPER ALLOY
 ③ SOLDER PEG: COPPER ALLOY
 ④ CAP: THERMO-PLASTIC(UL94V-0,BLACK)
- ②.FINISH: CONTACT: ALL OVER Ni 0.002 MIN. UNDER PLATING.
 Au 0.0002 MIN. PLATING ON CONTACT AREA.
 MATTE Sn 0.001~0.003 PLATING ON TINE AREA
 SOLDER PEG: ALL OVER Ni 0.0005 MIN. UNDER PLATING.
 MATTE Sn 0.001~0.003 PLATING ON TINE AREA
- ③.FINISH: CONTACT: ALL OVER Ni 0.002 MIN. UNDER PLATING.
 Au 0.00038 MIN. PLATING ON CONTACT AREA.
 MATTE Sn 0.001~0.003 PLATING ON TINE AREA
 SOLDER PEG: ALL OVER Ni 0.0005 MIN. UNDER PLATING.
 MATTE Sn 0.001~0.003 PLATING ON TINE AREA
- ④.FINISH: CONTACT: ALL OVER Ni 0.002 MIN. UNDER PLATING.
 Au 0.00076 MIN. PLATING ON CONTACT AREA.
 MATTE Sn 0.001~0.003 PLATING ON TINE AREA
 SOLDER PEG: ALL OVER Ni 0.0005 MIN. UNDER PLATING.
 MATTE Sn 0.001~0.003 PLATING ON TINE AREA
- 5. APPLIED POS. No. A7,A8,B7,B8
- 6. PICK & PLACE VACUUM AREA
- 7. NET WEIGHT: 0.8g

WITH CAP CONDITION

THIS DRAWING IS A CONTROLLED DOCUMENT.		DWN	Tyco Electronics Corporation Taipei,Taiwan		
DIMENSIONS: mm		CHK	NAME ASSY 0.635mm PITCH BAY CONNECTOR, PLUG 16POS		
TOLERANCES UNLESS OTHERWISE SPECIFIED: 0 PLC ± - 1 PLC ± - ±0.25 2 PLC ± - 3 PLC ± - ±3° 4 PLC ± - ANGLES ± -		APVD	PRODUCT SPEC	APPLICATION SPEC	RESTRICTED TO
MATERIAL	FINISH	WEIGHT	SIZE A3	CAGE CODE 00779	DRAWING NO 2023089
CUSTOMER DRAWING			SCALE 5:1	SHEET 2 OF 4	REV F1

4

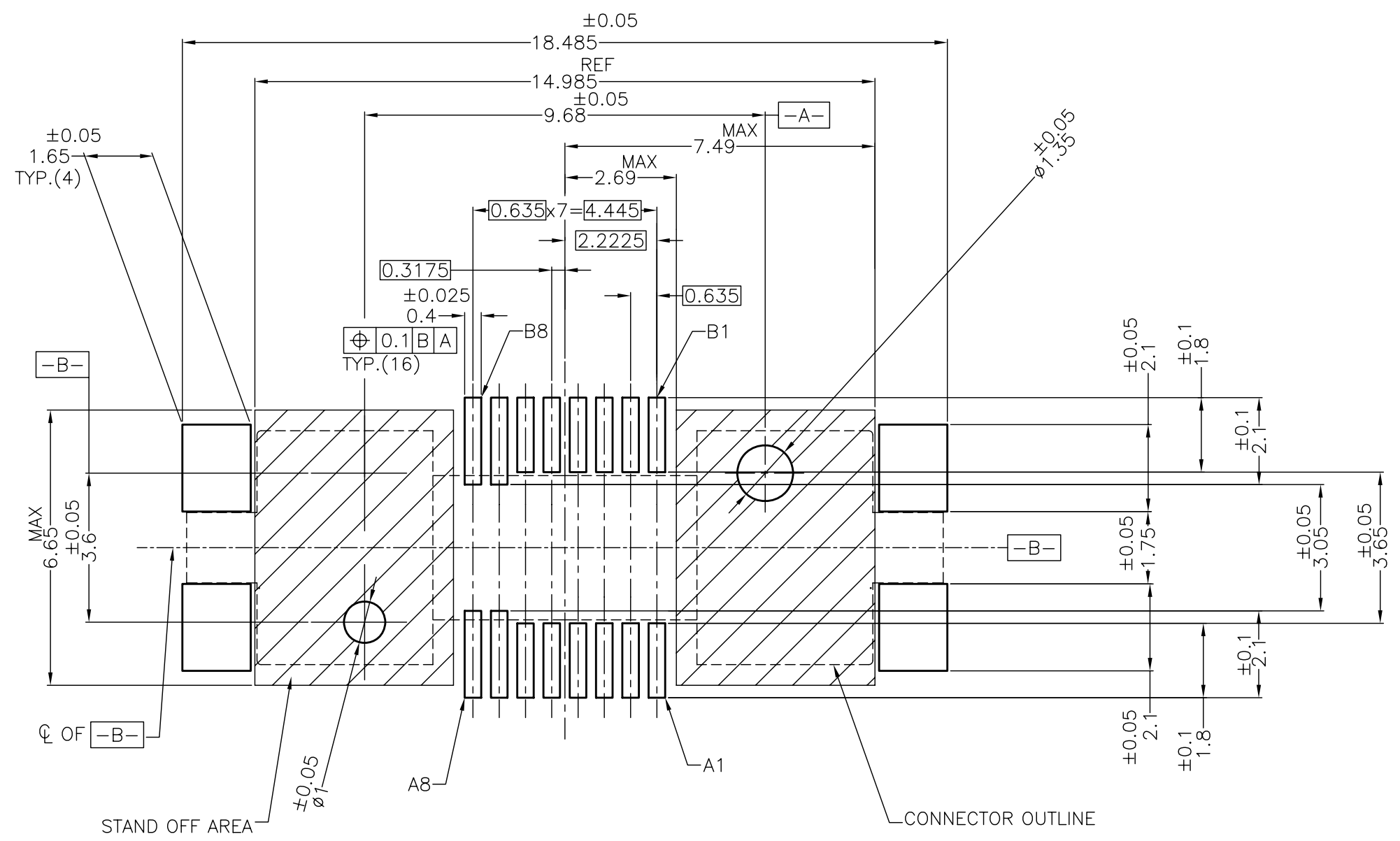
3

2

1

THIS DRAWING IS UNPUBLISHED. RELEASED FOR PUBLICATION
 © COPYRIGHT BY TYCO ELECTRONICS CORPORATION. ALL RIGHTS RESERVED.

LOC	DIST	REVISIONS			
P	LTR	DESCRIPTION	DATE	DWN	APVD
DW		SEE SHEET 1			



RECOMMENDED P.C BOARD LAYOUT
(REFERENCE)

THIS DRAWING IS A CONTROLLED DOCUMENT.		DWN		Tyco Electronics Corporation Taipei, Taiwan	
DIMENSIONS: mm		CHK		NAME	
TOLERANCES UNLESS OTHERWISE SPECIFIED:		APVD		ASSY	
0 PLC ± -		PRODUCT SPEC		0.635mm PITCH BAY CONNECTOR, PLUG 16POS	
1 PLC ± ±0.05		APPLICATION SPEC		SIZE	
2 PLC ± -		WEIGHT		CAGE CODE	
3 PLC ± -		CUSTOMER DRAWING		DRAWING NO	
4 PLC ± -		SCALE		RESTRICTED TO	
ANGLES ± -		8:1		A3 00779	
FINISH		SHEET		2023089	
		3 of 4		REV	
		REV		F1	

4

3

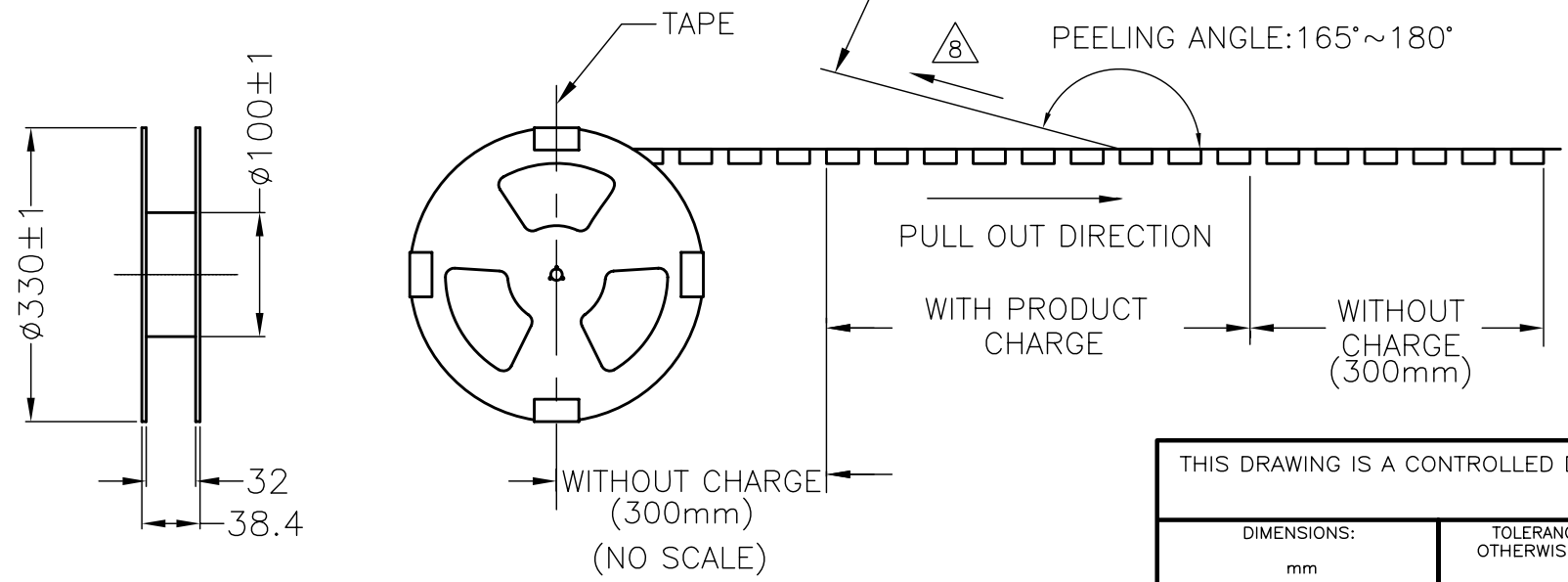
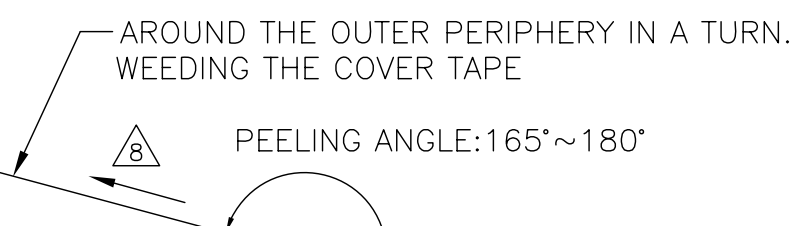
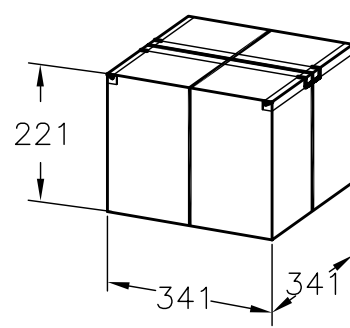
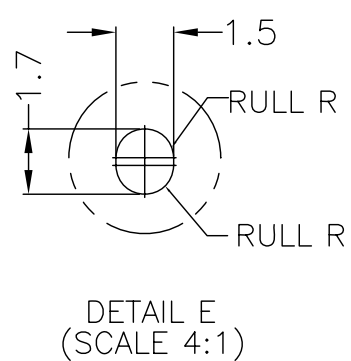
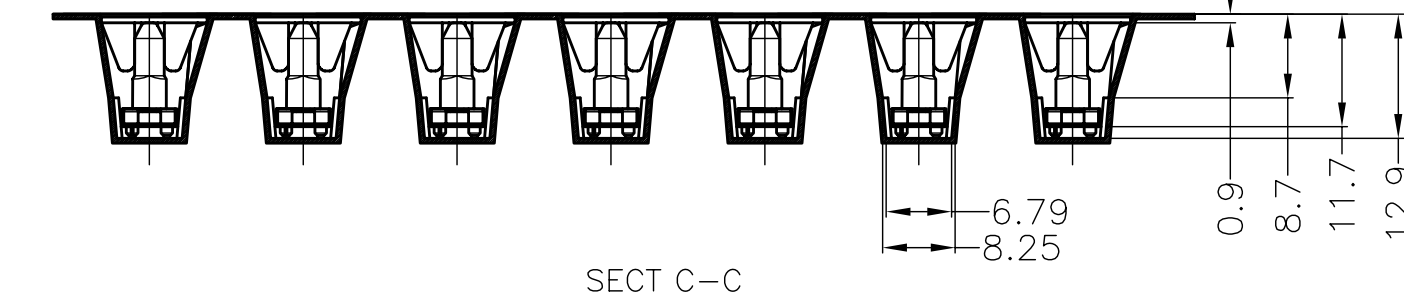
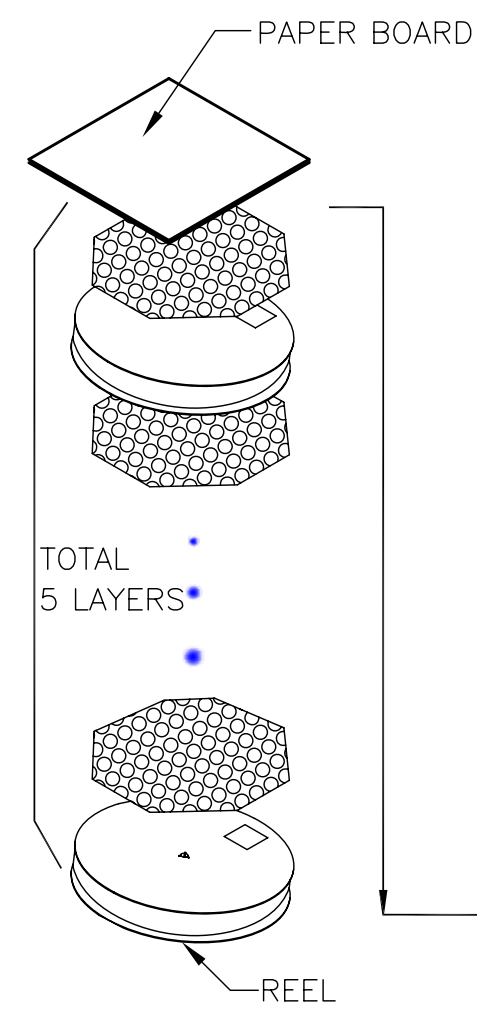
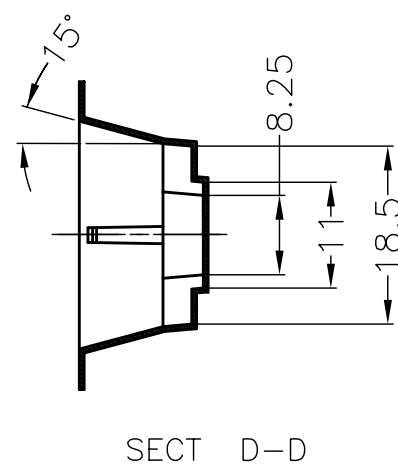
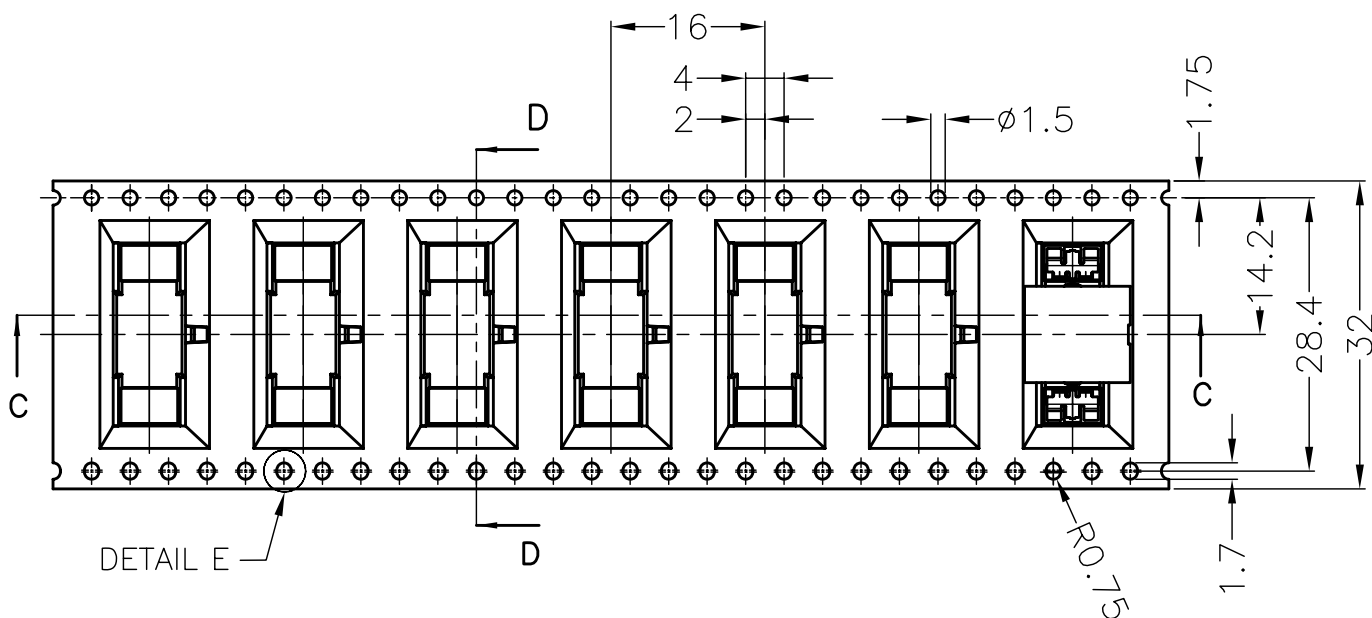
2

1

THIS DRAWING IS UNPUBLISHED. RELEASED FOR PUBLICATION

© COPYRIGHT BY TYCO ELECTRONICS CORPORATION. ALL RIGHTS RESERVED.

LOC	DIST	REVISIONS				
P	LTR	DESCRIPTION	DATE	DWN	APVD	
DW		SEE SHEET 1				



3.2	0.813	250	5	1250
G/W (Kg)	N/W (Kg)	PCS/TAPE	REELS/CARTON	TOTAL QUANTITY (PCS)

△ PEELING STRENGTH OF COVER TAPE: 0.2N ~ 1.2N
 9. PACKING MATERIAL: CARRY TAPE: PS; COLOR: BLACK
 COVER TAPE: PET; COLOR: CLEAR

THIS DRAWING IS A CONTROLLED DOCUMENT.		DWN		Tyco Electronics Corporation	
DIMENSIONS: mm		CHK		Taipei, Taiwan	
TOLERANCES UNLESS OTHERWISE SPECIFIED:		APVD		NAME	
0 PLC ± -		PRODUCT SPEC		ASSY	
1 PLC ± -		APPLICATION SPEC		0.635mm PITCH BAY CONNECTOR, PLUG 16POS	
2 PLC ± -		WEIGHT		SIZE	
3 PLC ± -		CUSTOMER DRAWING		CAGE CODE	
4 PLC ± -		SCALE		DRAWING NO	
ANGLES ± -		NON		A3 00779	
FINISH		SHEET		G-2023089	
		4 of 4		RESTRICTED TO	
		REV		F1	

单击下面可查看定价，库存，交付和生命周期等信息

[>>TE Connectivity\(泰科\)](#)