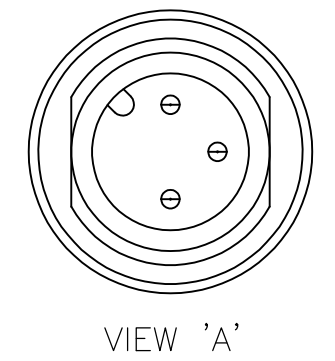
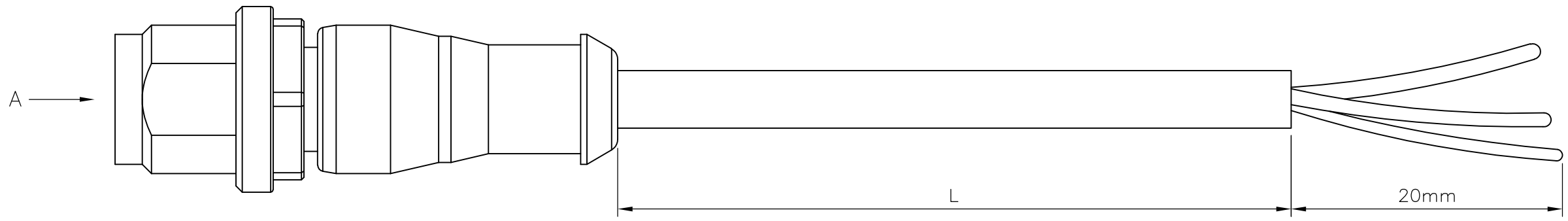


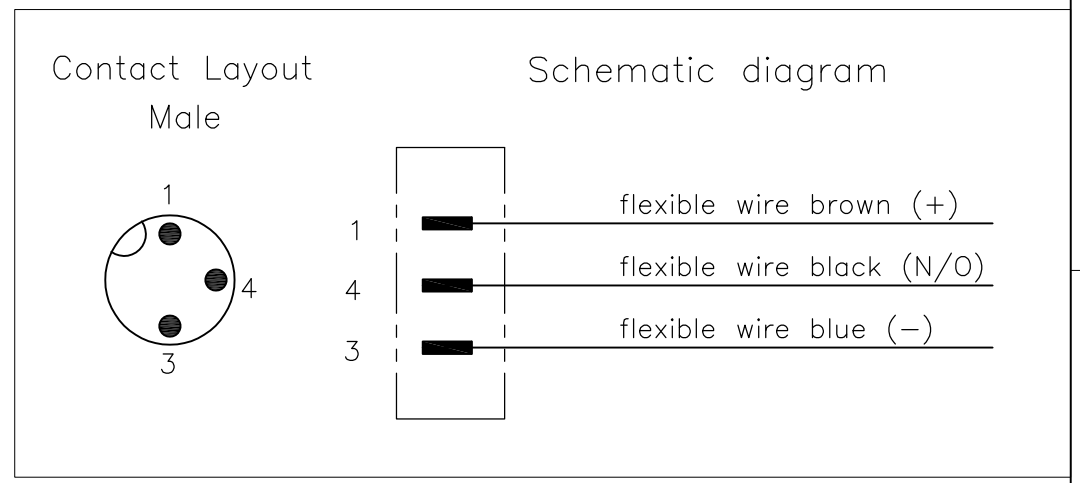
THIS DRAWING IS UNPUBLISHED. RELEASED FOR PUBLICATION
 © COPYRIGHT - By - ALL RIGHTS RESERVED.

P	LTR	DESCRIPTION	DATE	DWN	APVD
	A	INITIAL RELEASE	16NOV2013	GSK	BvH
	A1	ECR-14-011671	16AUG2014	GSK	BvH
	A2	ECR-16-003945	16MAR2016	GSK	BvH

NOTES:
 Tolerances cable lengths:
 0m to 0.5m +30mm
 0.5m to 1.0m +50mm
 1.0m to 3.0m +100mm
 < 3.0m +1.5%



TECHNICAL DATA	
Operating voltage	max. 250 V AC/DC
Operating current per contact	max. 4 A
Locking of ports	Screw thread M12 x 1 mm (recommended torque 0.6 Nm) self-securing
Protection	IP67 inserted and tightened (EN 60529)



PUR CABLE	
No./diameter of wires	3 x 0.34 mm ²
Wire isolation	PP (br, bl, bk)
C-track properties	5 million
Jacket	PUR (UL/CSA)
Outer diameter	approx. 4.3 mm
Bend radius (moving)	10 x outer diameter
Temperature range (fixed)	-40...+80 °C
Temperature range (mobile)	-25...+80 °C

3 pos	10mtr	PVC	Black	1-2273022-4	3x22AWG PVC 10.0m	8
	5mtr			1-2273022-3	3x22AWG PVC 5.0m	7
	3mtr			1-2273022-2	3x22AWG PVC 3.0m	6
	1.5mtr			1-2273022-1	3x22AWG PVC 1.5m	5
3 pos	10mtr	PUR	Black	2273022-4	3x22AWG PUR 10.0m	4
	5mtr			2273022-3	3x22AWG PUR 5.0m	3
	3mtr			2273022-2	3x22AWG PUR 3.0m	2
	1.5mtr			2273022-1	3x22AWG PUR 1.5m	1
LENGTH "L"	MATERIAL	JACKET COLOR	TE PN	DESCRIPTION	ITEM	

PVC CABLE	
No./diameter of wires	3 x 0.34 mm ²
Wire isolation	PVC (br, bl, bk)
C-track properties	
Jacket	PVC (UL/CSA)
Outer diameter	approx. 4.6 mm
Bend radius (moving)	10 x outer diameter
Temperature range (fixed)	-30...+80 °C
Temperature range (mobile)	-5...+80 °C

THIS DRAWING IS A CONTROLLED DOCUMENT.

DWN	16NOV2013	SATHISH KUMAR.G
CHK	16NOV2013	B.VELDHOVEN
APVD	16NOV2013	A.VAN ZANDVOORT
PRODUCT SPEC	108-19483	
APPLICATION SPEC	114-32127	
WEIGHT	A3 00779	
CUSTOMER DRAWING		

TE Connectivity
 M12 X 1.0 STRAIGHT PLUG PIGT A

SIZE	CAGE CODE	DRAWING NO	RESTRICTED TO
A3	00779	C-2273022	-
SCALE	SHEET	REV	
NTS	1 OF 1	A2	

单击下面可查看定价，库存，交付和生命周期等信息

[>>TE Connectivity\(泰科\)](#)