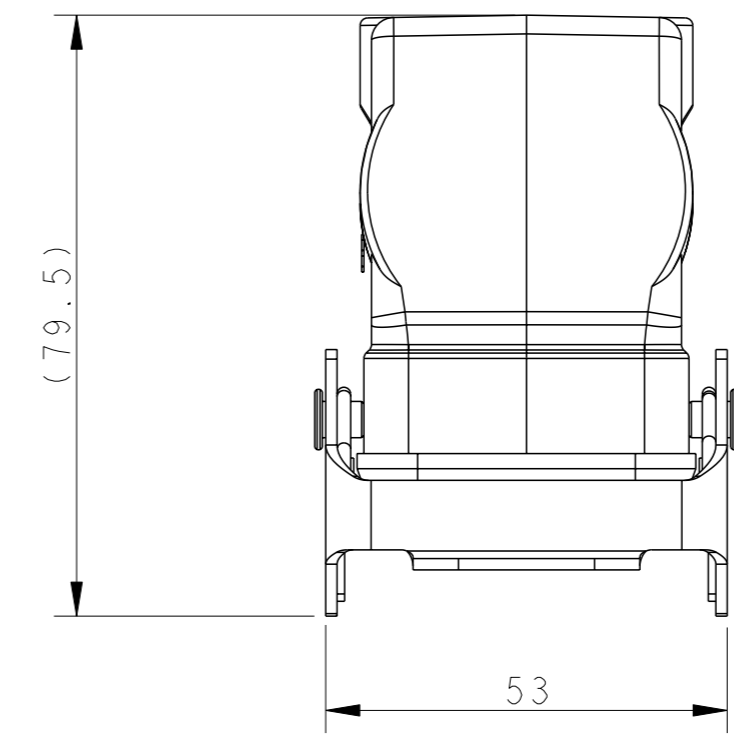
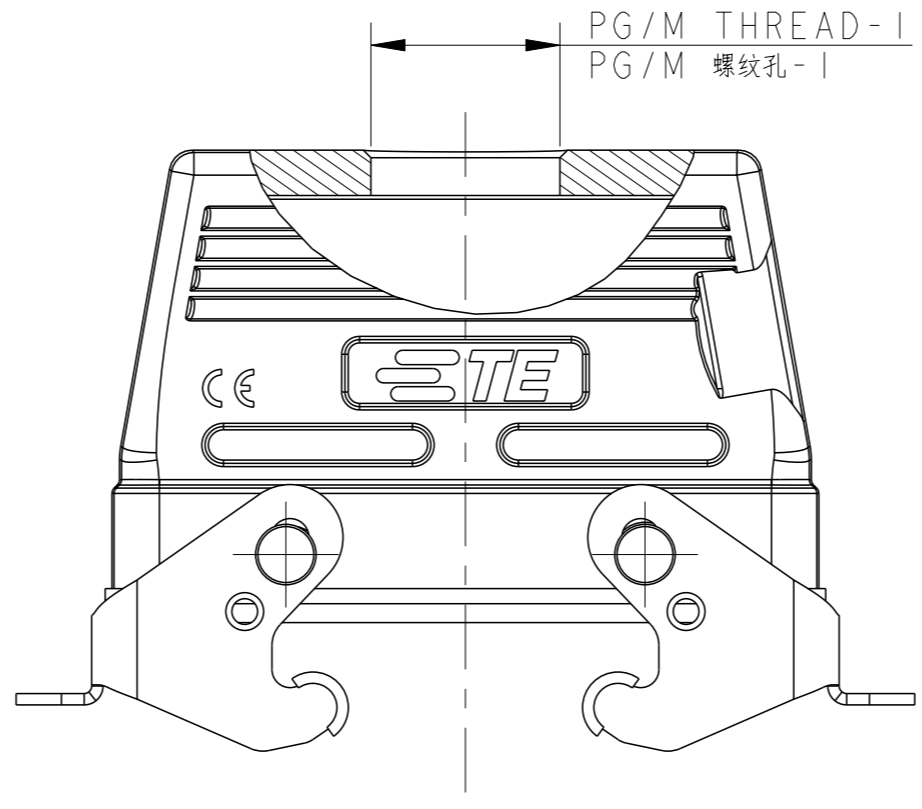
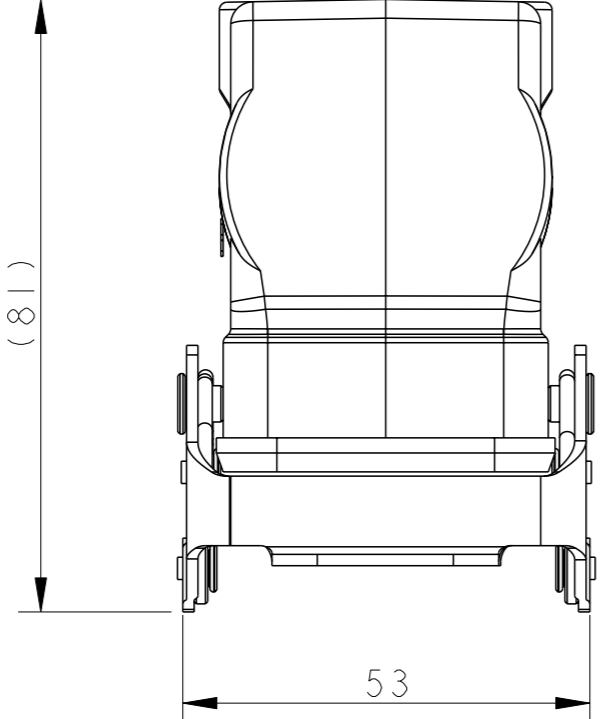
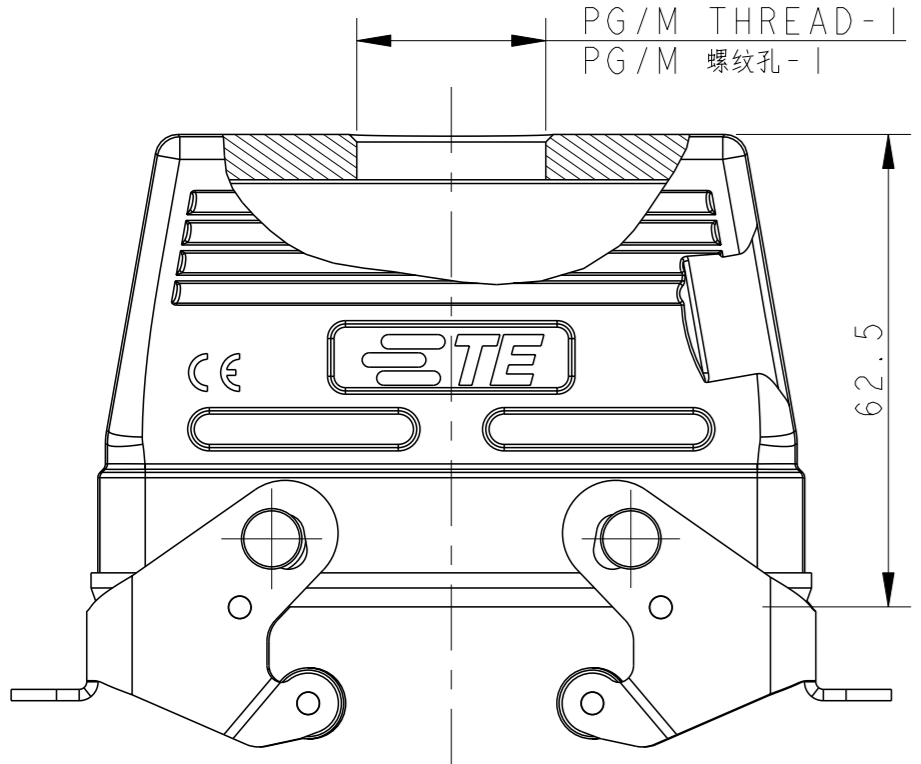
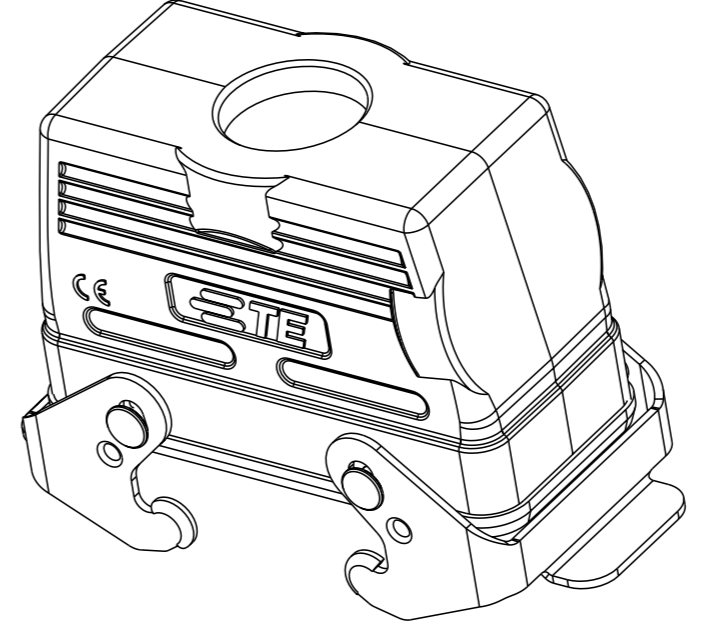
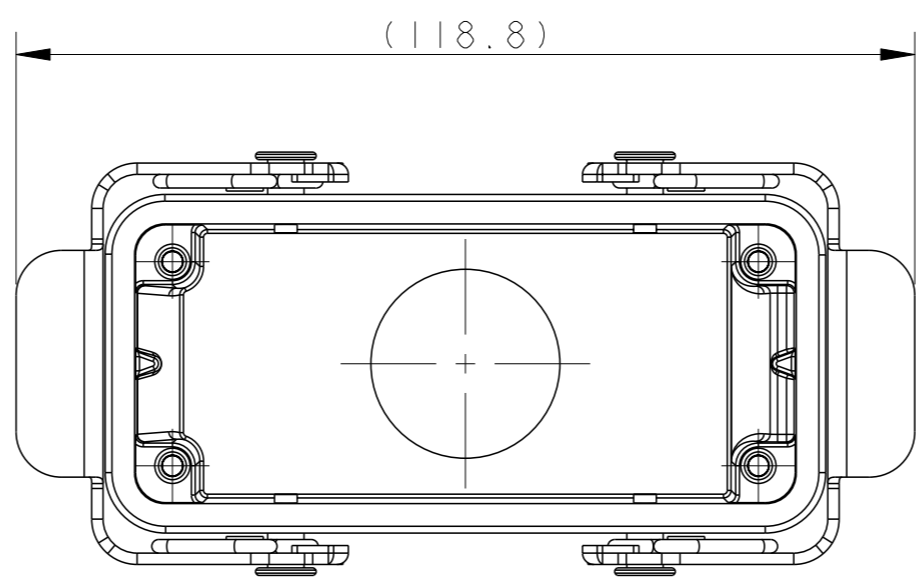
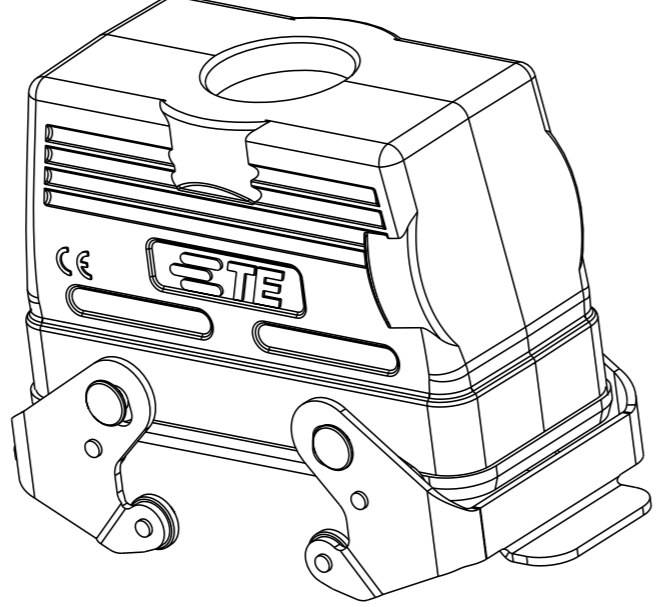
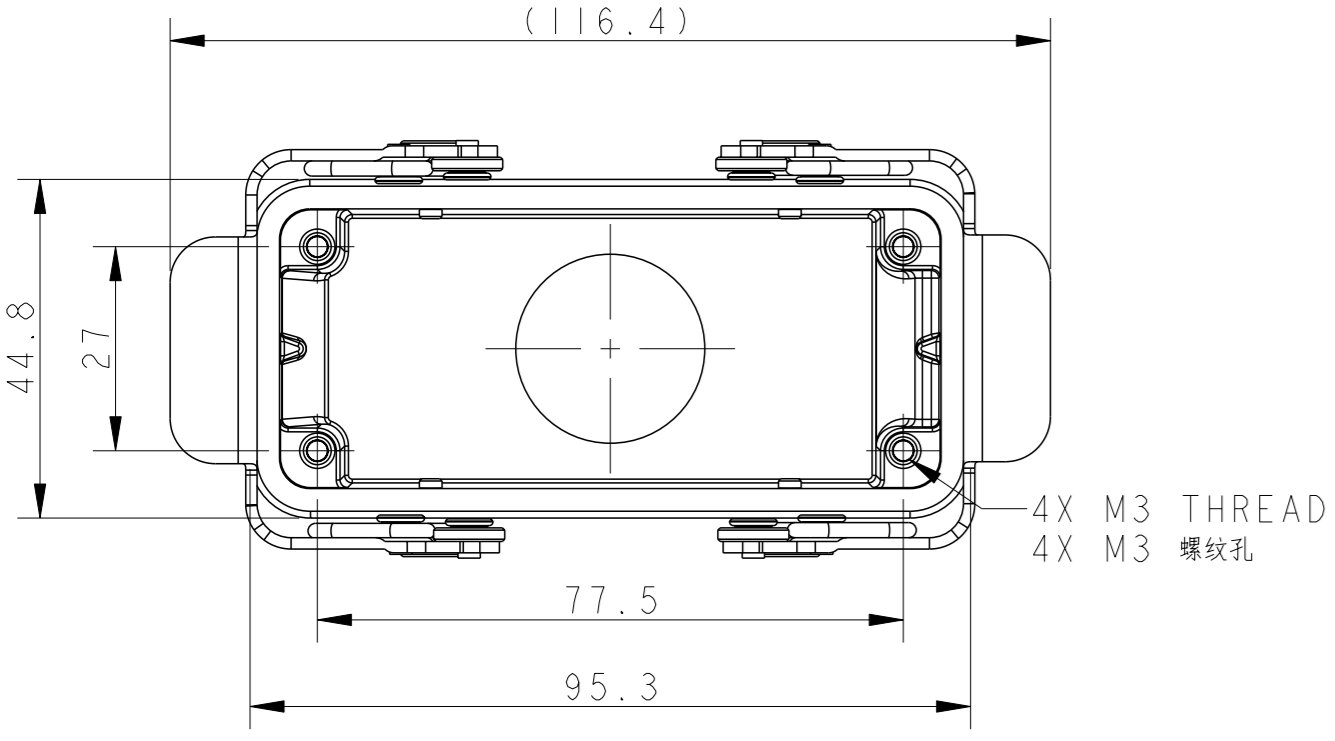


REVISIONS				
#	DATE	DESCRIPTION	OWN	APPROV
A1	12SEP2016	ECR-16-012641	BS	CW
A2	13JUL2018	ECR-18-009192	KW	CW
B	20OCT2020	ECR-20-008190	WOR	CW
B1	30JUN2021	ECR-21-105138	WOR	CW



NOTES:  
 1. TECHNICAL CHARACTERISTICS:  
 HOUSING MATERIAL: DIE CAST ALUMINIUM ALLOY  
 SURFACE TREATMENT: POWDER COATED, GRAY  
 DEGREE OF PROTECTION: IP65 (MATED)

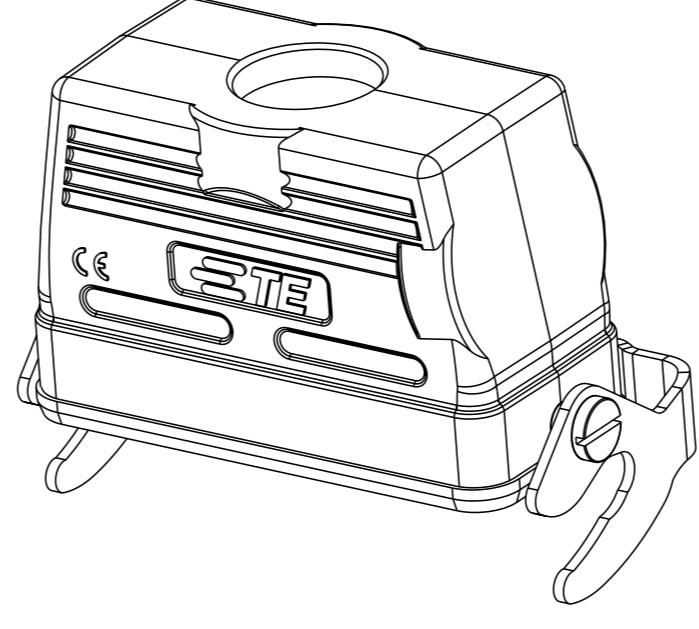
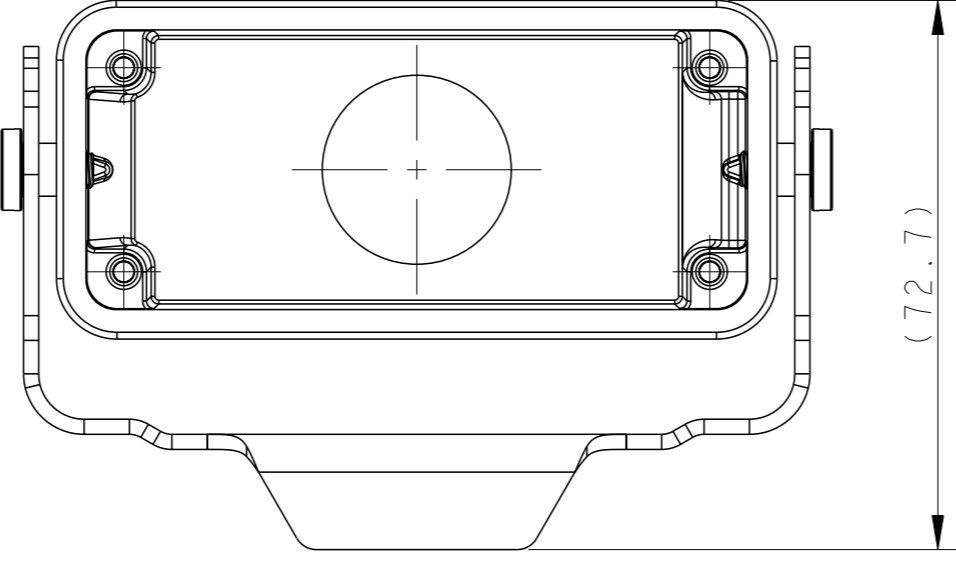
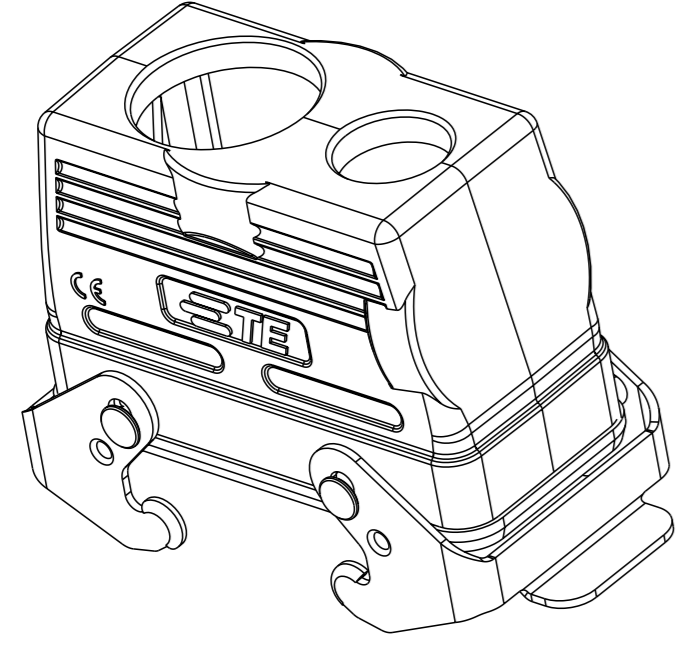
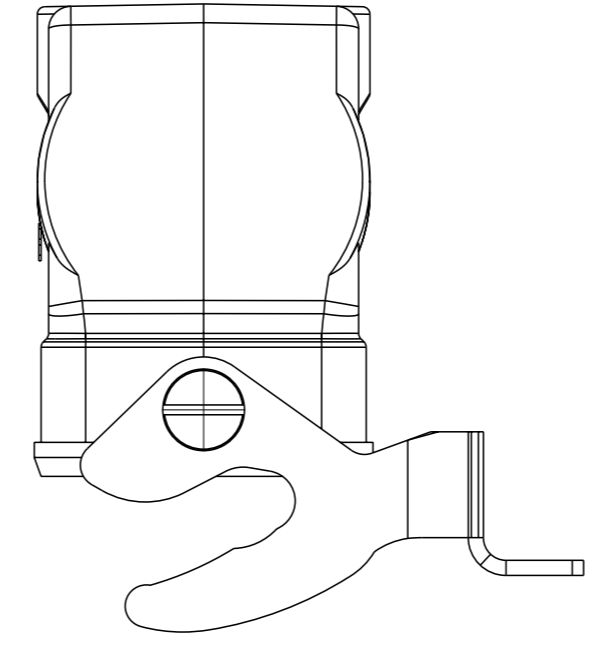
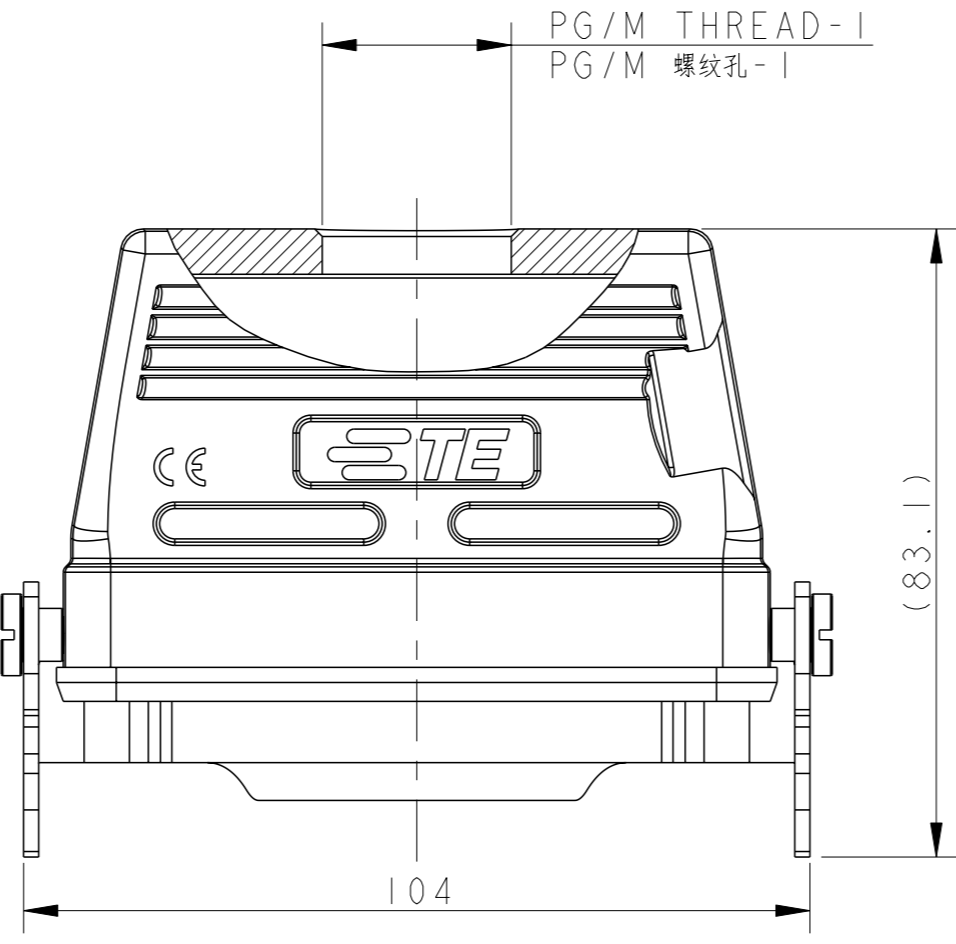
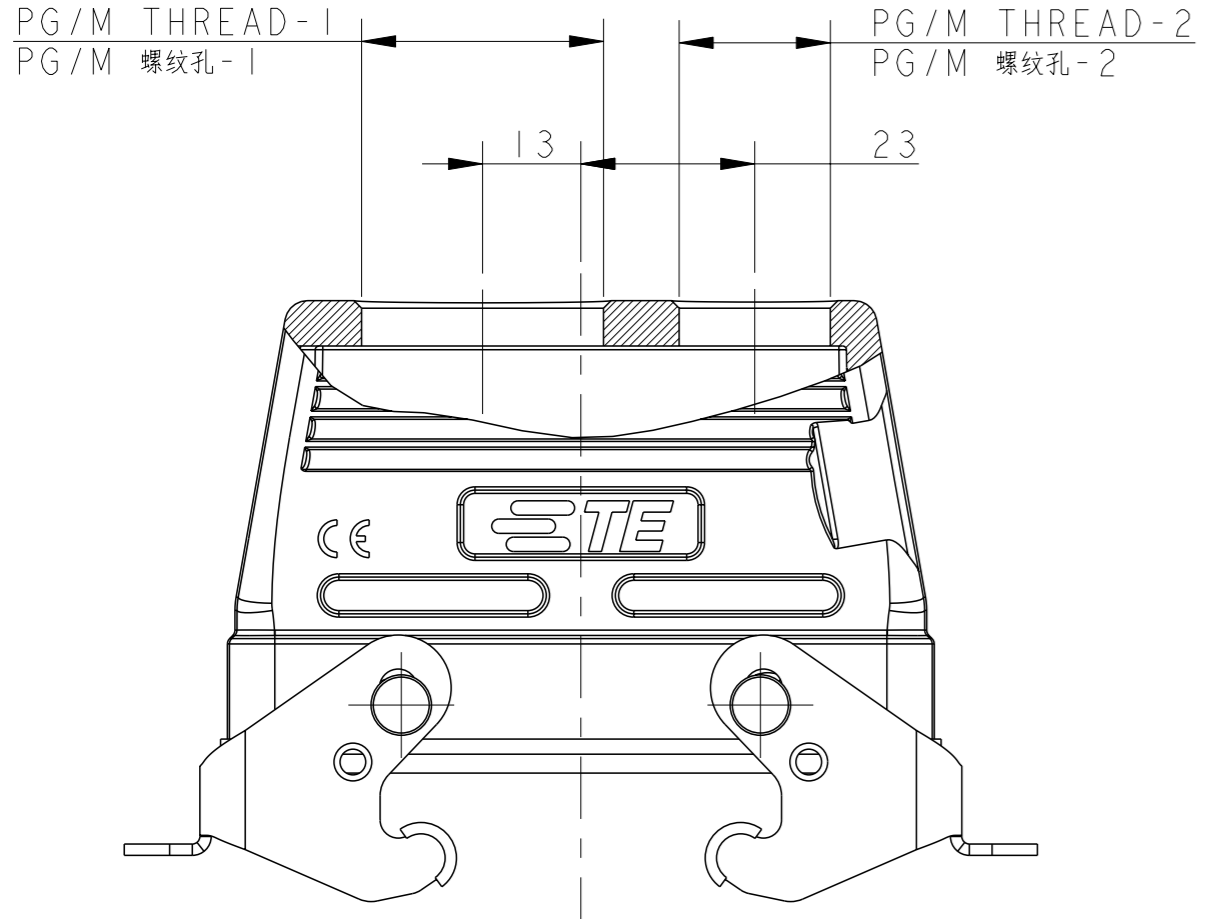
注释:  
 1. 技术参数:  
 壳体材料: 铝合金  
 表面处理: 灰色粉末喷涂  
 防护等级: IP65(配合)



TYPE 1: LOW CONSTRUCTION + STAINLESS STEEL DOUBLE LOCKING  
 类型1: 低结构壳体+不锈钢双扣

TYPE 2: LOW CONSTRUCTION + METAL DOUBLE LOCKING  
 OTHER SPEC REFER TO TYPE 1  
 类型2: 低结构壳体+彩钢双扣, 其他规格参照类型1

PART NUMBER	DESCRIPTION	PG/M THREAD-1	PG/M THREAD-2	TYPE
T1710161116-000	H16B-TBFS-PG16	PG16	-	TYPE 1
T1710161120-000	H16B-TBFS-M20	M20	-	
T1710161121-000	H16B-TBFS-PG21	PG21	-	
T1710161125-000	H16B-TBFS-M25	M25	-	TYPE 2
T1710162113-000	H16B-TBF-PG13.5	PG13.5	-	
T1710162129-000	H16B-TBF-PG29	PG29	-	
T1710162121-000	H16B-TBF-PG21	PG21	-	TYPE 3
T1710162125-000	H16B-TBF-M25	M25	-	
T1710162132-000	H16B-TBF-M32	M32	-	
T1710161632-000	H16B-TBF-M32/M16	M32	M16	TYPE 3
T1710162032-000	H16B-TBF-M32/M20	M32	M20	
T1730163121-000	H16B-TBF-LB-PG21	PG21	-	TYPE 4
T1730163125-000	H16B-TBF-LB-M25	M25	-	
T1730163132-000	H16B-TBF-LB-M32	M32	-	



TYPE 3: LOW CONSTRUCTION + METAL DOUBLE LOCKING  
 2 ENTRY HOLE  
 OTHER SPEC REFER TO TYPE 2  
 类型3: 低结构壳体+彩钢双扣, 2个进线孔, 其他规格参照类型2

TYPE 4: LOW CONSTRUCTION + METAL SINGLE LOCKING  
 OTHER SPEC REFER TO TYPE 1  
 类型4: 低结构壳体+彩钢单扣, 其他规格参照类型1

THIS DRAWING IS A CONTROLLED DOCUMENT. OWN: DAVID LI 06 JUL 2015. CHK: CHRIS WANG 06 JUL 2015. APVD: XIANG XU 06 JUL 2015.

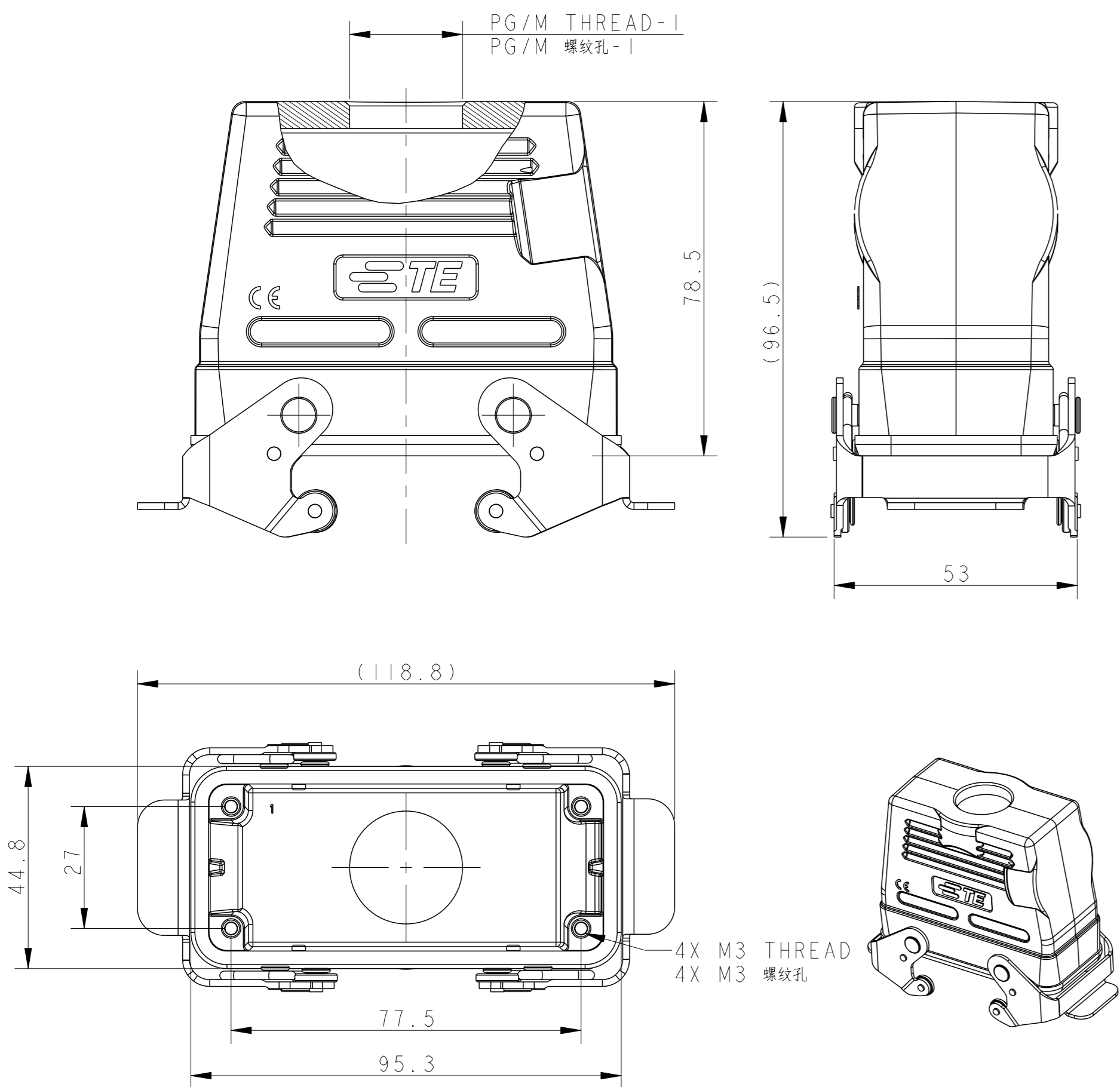
**STE** TE Connectivity

H16B-TBFS/TBF/TBF-LB-PG/M

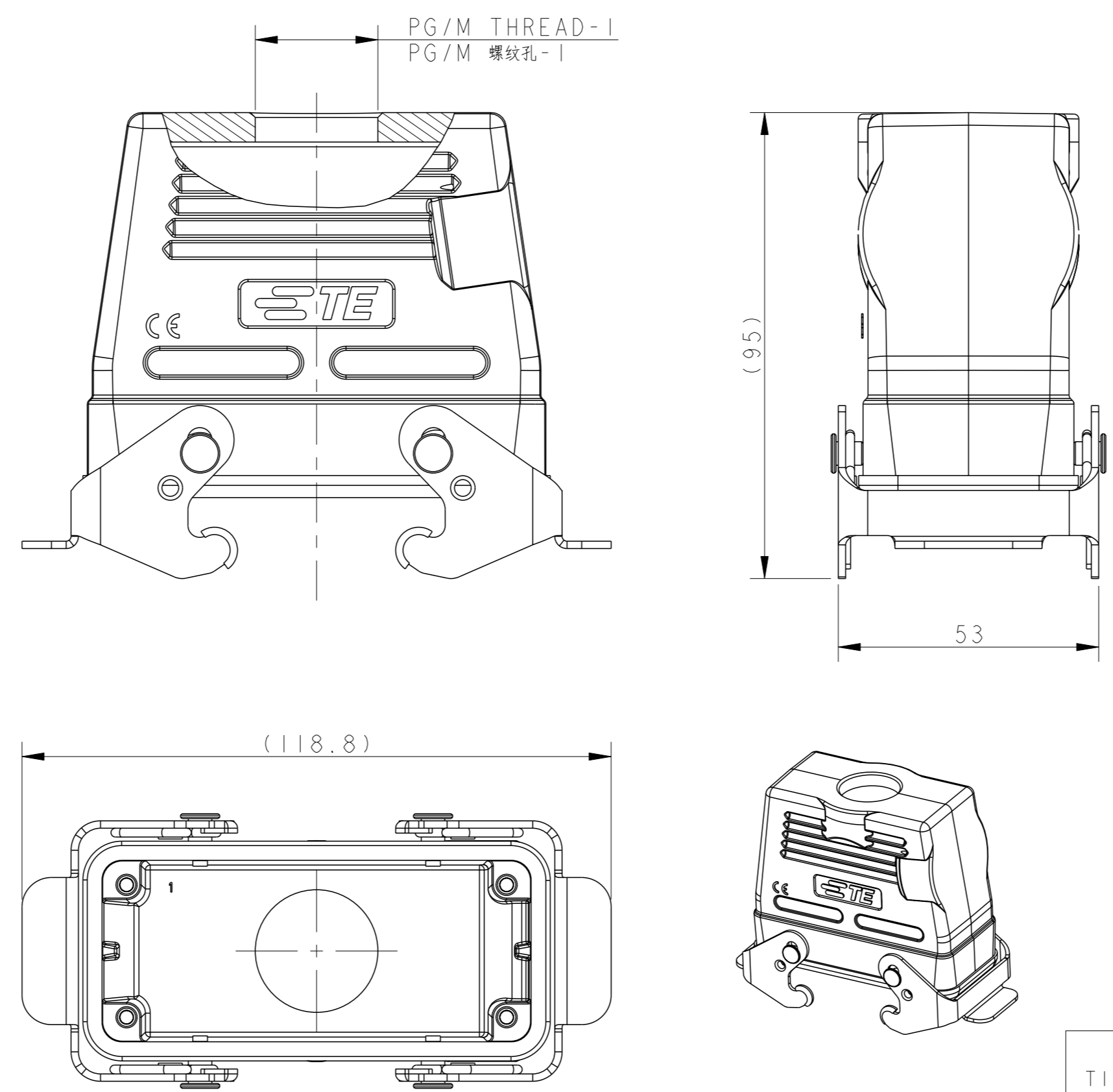
SIZE: A1. CAGE CODE: -. DRAWING NO: C-T17X016XXXX000. RESTRICTED TO: REV 1.

NOTES:  
SEE SHEET 1.  
注释:  
见第1页

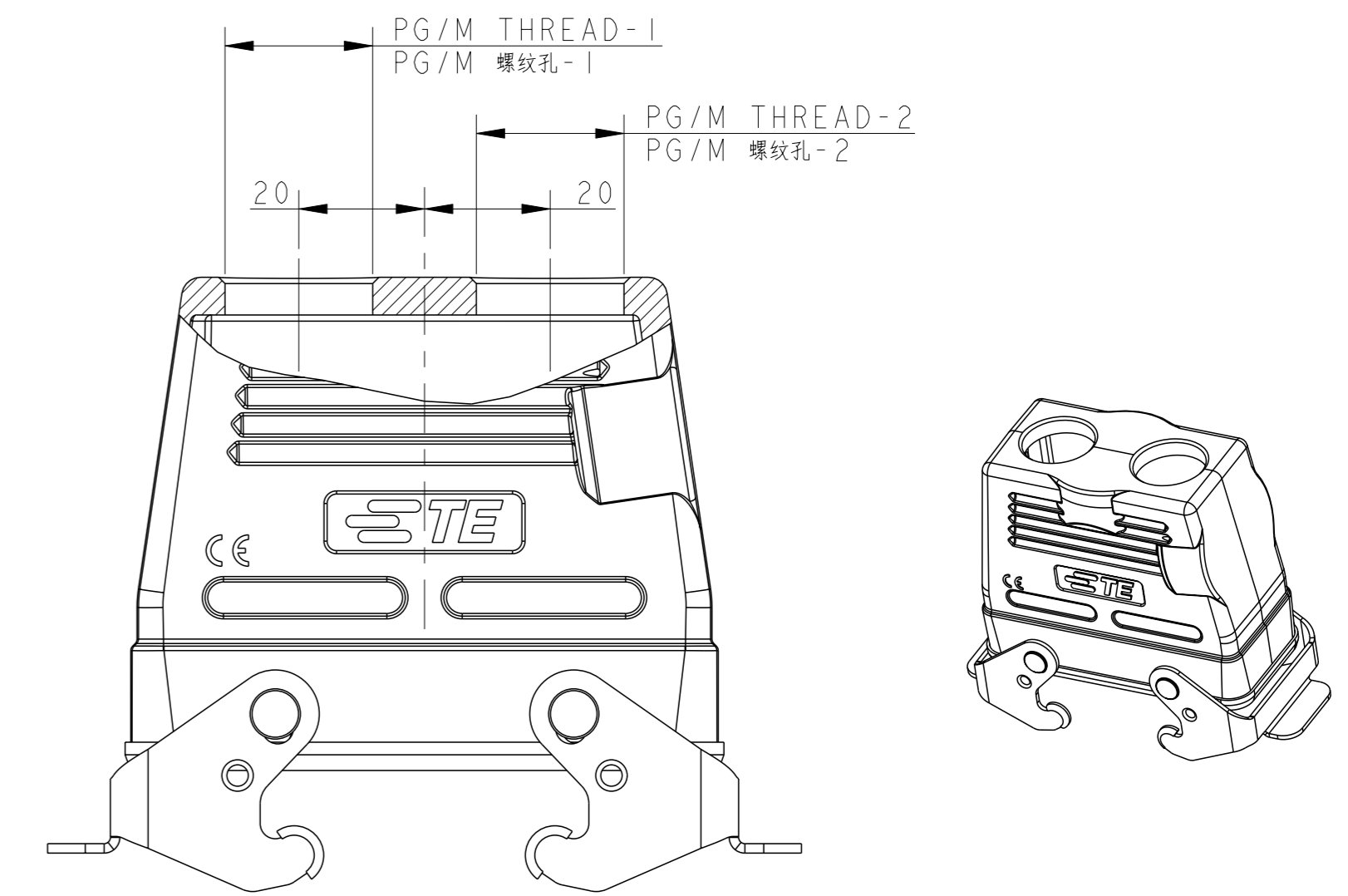
REVISIONS				
#	DATE	DESCRIPTION	DATE	APPV
-	-	SEE SHEET 1	-	-



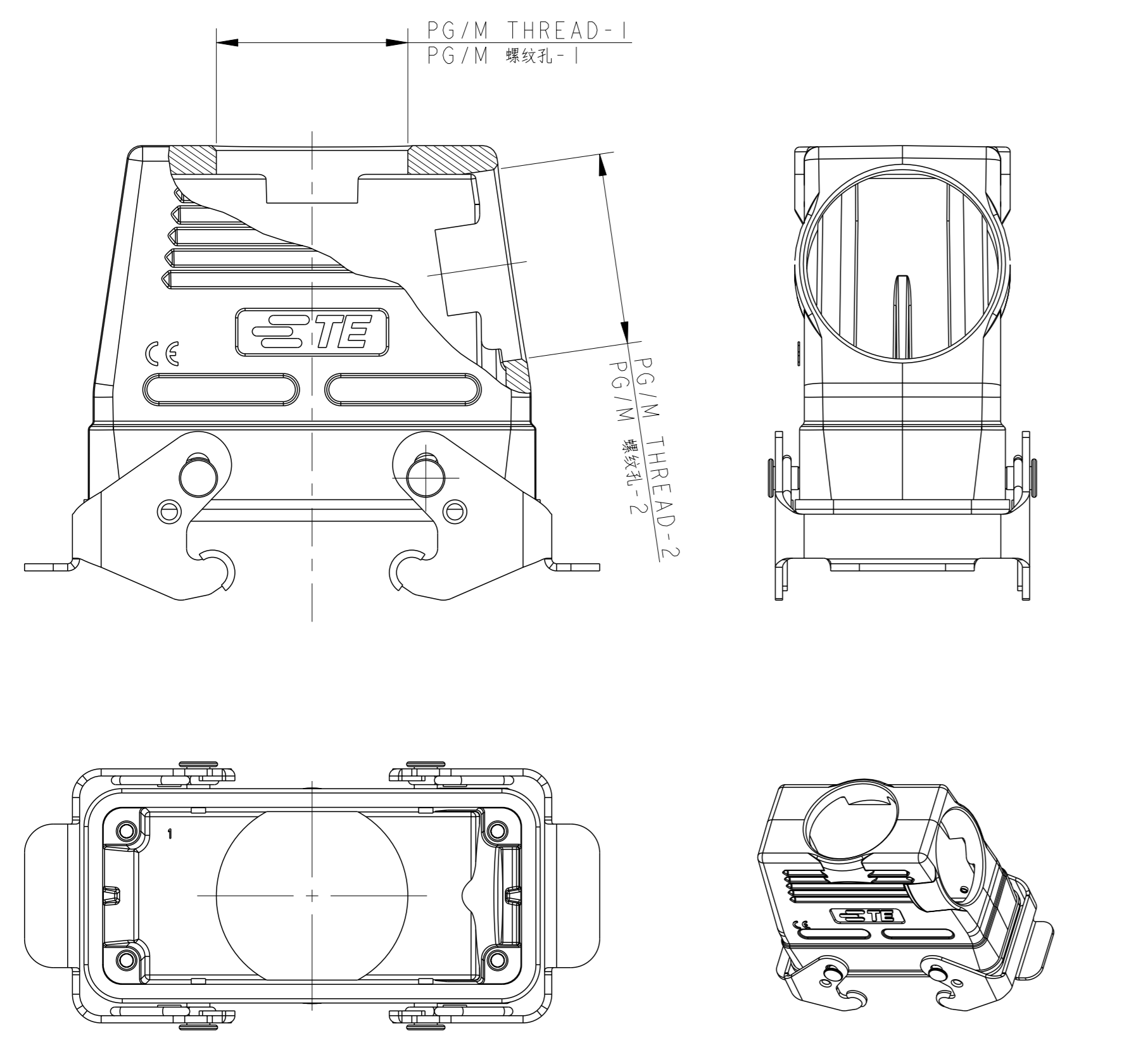
TYPE 5: HIGH CONSTRUCTION + STAINLESS STEEL DOUBLE LOCKING  
类型5: 高结构壳体+不锈钢双扣



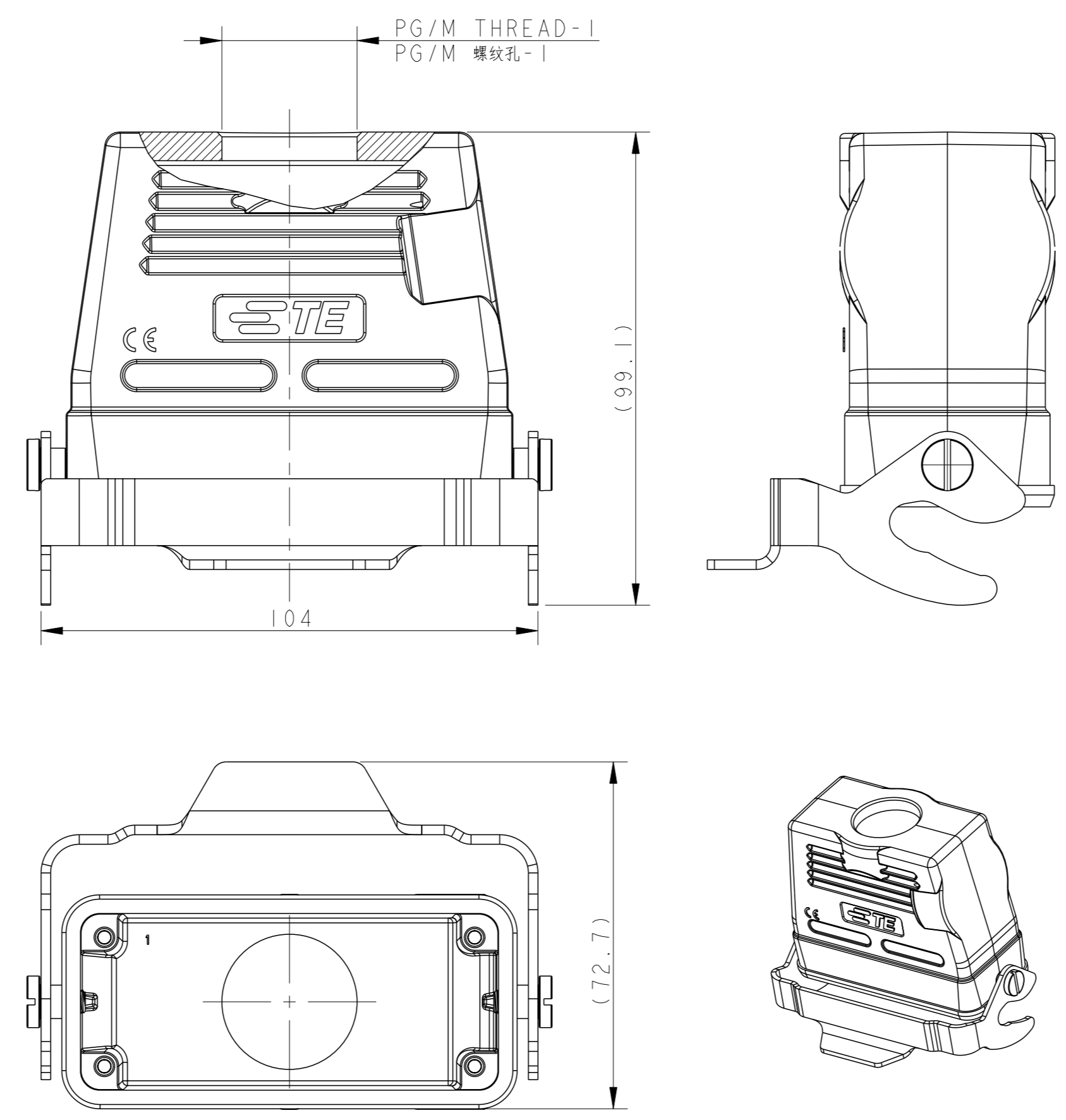
TYPE 6: HIGH CONSTRUCTION + METAL DOUBLE LOCKING  
OTHER SPEC REFER TO TYPE 5  
类型6: 高结构壳体+彩锌双扣, 其他规格参照类型5



TYPE 7: HIGH CONSTRUCTION + METAL DOUBLE LOCKING  
2 ENTRY HOLE  
OTHER SPEC REFER TO TYPE 6  
类型7: 高结构壳体+彩锌双扣, 2个进线孔, 其他规格参照类型6



TYPE 8: HIGH CONSTRUCTION + METAL DOUBLE LOCKING  
2 ENTRY HOLE  
OTHER SPEC REFER TO TYPE 6  
类型8: 高结构壳体+彩锌双扣, 2个进线孔, 其他规格参照类型6



TYPE 9: HIGH CONSTRUCTION + METAL SINGLE LOCKING  
OTHER SPEC REFER TO TYPE 5  
类型9: 高结构壳体+彩锌单扣, 其他规格参照类型5

PART NUMBER	DESCRIPTION	PG/M THREAD-1	PG/M THREAD-2	TYPE
T1750161121-000	H16B-TBFHS-PG21	H16B HOUSING, CABLE-TO-CABLE, STAINLESS STEEL DOUBEL LOCKING, TOP ENTRY PG21, HIGH CONSTRUCTION, POWDER COATED, GRAY	PG21	-
T1750161129-000	H16B-TBFHS-PG29	H16B HOUSING, CABLE-TO-CABLE, STAINLESS STEEL DOUBEL LOCKING, TOP ENTRY PG29, HIGH CONSTRUCTION, POWDER COATED, GRAY	PG29	TYPE 5
T1750161132-000	H16B-TBFHS-M32	H16B HOUSING, CABLE-TO-CABLE, STAINLESS STEEL DOUBEL LOCKING, TOP ENTRY M32, HIGH CONSTRUCTION, POWDER COATED, GRAY	M32	-
T1750162121-000	H16B-TBFH-PG21	H16B HOUSING, CABLE-TO-CABLE, METAL DOUBEL LOCKING, TOP ENTRY PG21, HIGH CONSTRUCTION, POWDER COATED, GRAY	PG21	-
T1750162125-000	H16B-TBFH-M25	H16B HOUSING, CABLE-TO-CABLE, METAL DOUBEL LOCKING, TOP ENTRY M25, HIGH CONSTRUCTION, POWDER COATED, GRAY	M25	-
T1750162129-000	H16B-TBFH-PG29	H16B HOUSING, CABLE-TO-CABLE, METAL DOUBEL LOCKING, TOP ENTRY PG29, HIGH CONSTRUCTION, POWDER COATED, GRAY	PG29	TYPE 6
T1750162132-000	H16B-TBFH-M32	H16B HOUSING, CABLE-TO-CABLE, METAL DOUBEL LOCKING, TOP ENTRY M32, HIGH CONSTRUCTION, POWDER COATED, GRAY	M32	-
T1750162140-000	H16B-TBFH-M40	H16B HOUSING, CABLE-TO-CABLE, METAL DOUBEL LOCKING, TOP ENTRY M40, HIGH CONSTRUCTION, POWDER COATED, GRAY	M40	-
T1750162221-000	H16B-TBFH-2PG21	H16B HOUSING, CABLE-TO-CABLE, METAL DOUBEL LOCKING, TOP ENTRY 2PG21, HIGH CONSTRUCTION, POWDER COATED, GRAY	PG21	PG21
T1750162225-000	H16B-TBFH-2M25	H16B HOUSING, CABLE-TO-CABLE, METAL DOUBEL LOCKING, TOP ENTRY 2M25, HIGH CONSTRUCTION, POWDER COATED, GRAY	M25	M25
T1750164040-000	H16B-TBFH-2M40	H16B HOUSING, CABLE-TO-CABLE, METAL DOUBEL LOCKING, TOP ENTRY M40, SIDE ENTRY M40, HIGH CONSTRUCTION, POWDER COATED, GRAY	M40	M40
T1770162121-000	H16B-TBFH-LB-PG21	H16B HOUSING, CABLE-TO-CABLE, METAL SINGLE LOCKING, TOP ENTRY PG21, HIGH CONSTRUCTION, POWDER COATED, GRAY	PG21	-
T1770162129-000	H16B-TBFH-LB-PG29	H16B HOUSING, CABLE-TO-CABLE, METAL SINGLE LOCKING, TOP ENTRY PG29, HIGH CONSTRUCTION, POWDER COATED, GRAY	PG29	TYPE 9
T1770162132-000	H16B-TBFH-LB-M32	H16B HOUSING, CABLE-TO-CABLE, METAL SINGLE LOCKING, TOP ENTRY M32, HIGH CONSTRUCTION, POWDER COATED, GRAY	M32	-

THIS DRAWING IS A CONTROLLED DOCUMENT. DIMENSIONS: mm. TOLERANCES UNLESS OTHERWISE SPECIFIED: 0 PLC ±, 1 PLC ±, 2 PLC ±, 3 PLC ±, 4 PLC ±. MATERIAL: TBD. FINISH: -. WEIGHT: -. CUSTOMER DRAWING.

OWN: DAVID LI 06 JUL 2015. CHK: CHRIS WANG 06 JUL 2015. APPV: XIANG XU 06 JUL 2015. NAME: H16B-TBFS/TBF/TBF-LB-PG/M. SIZE: A1. CASE CODE: -. DRAWING NO: C-T17X016XXXX000. RESTRICTED TO: -. SCALE: 1:1. SHEET 2 OF 2. REV: B1.

**STE** TE Connectivity

Printed on 2 Jun 2021 10:21 (China Standard Time) from TE334346

单击下面可查看定价，库存，交付和生命周期等信息

[>>TE Connectivity\(泰科\)](#)