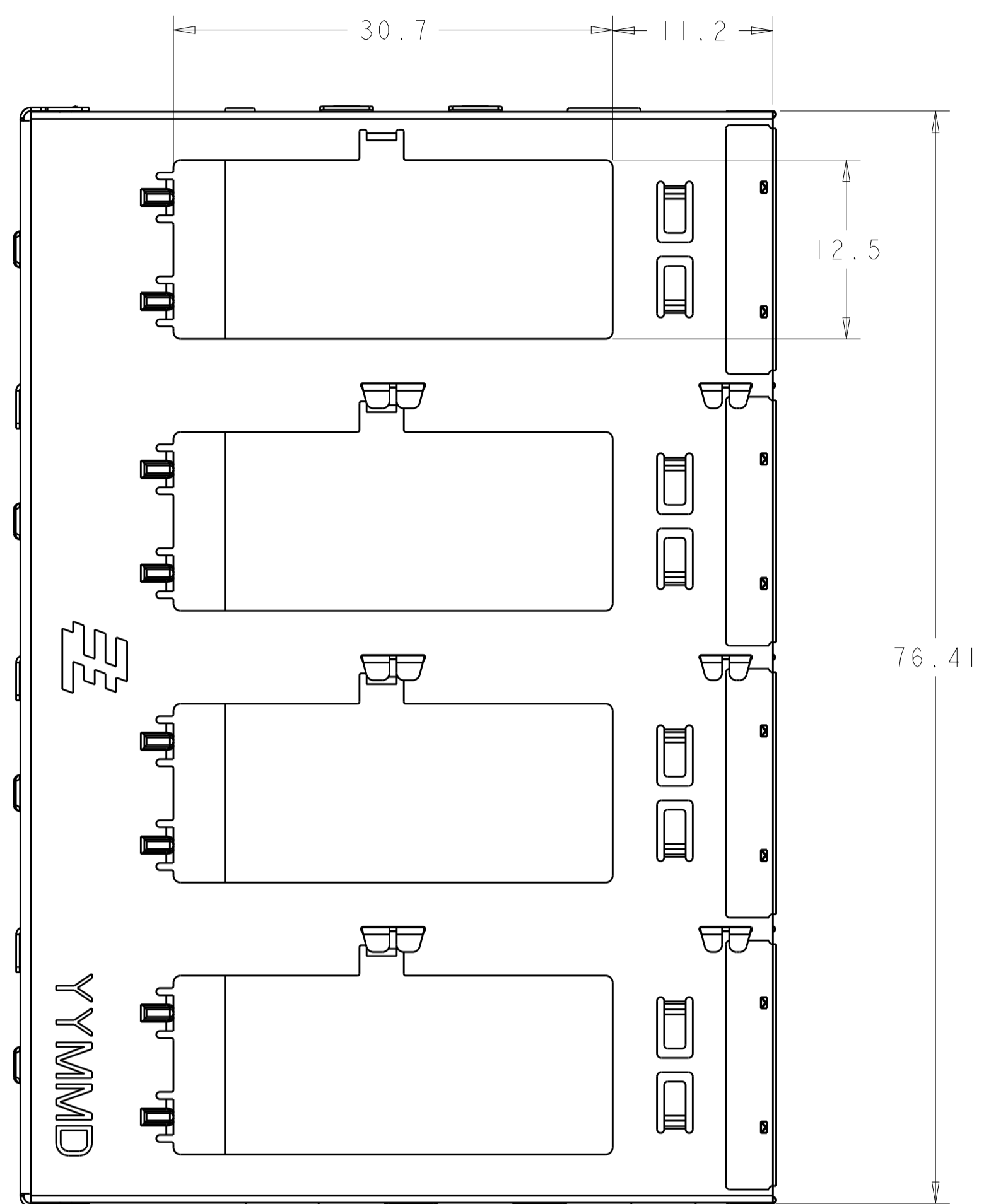
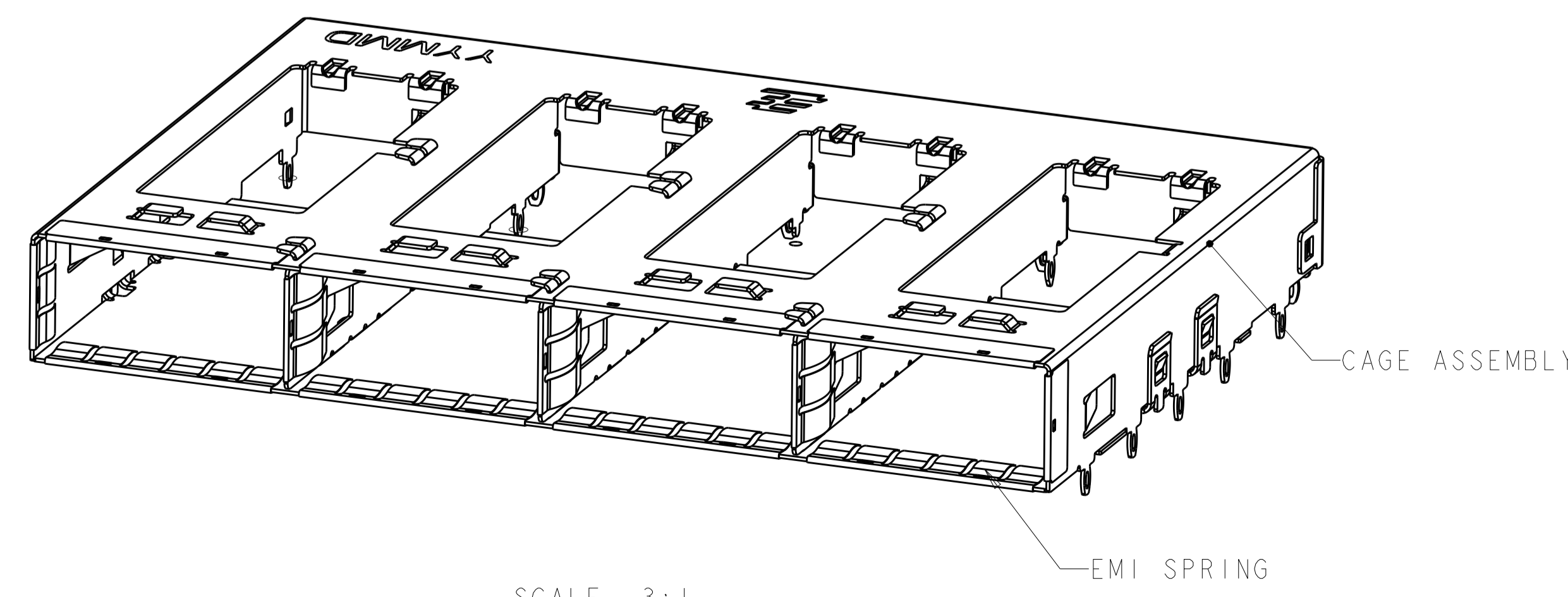
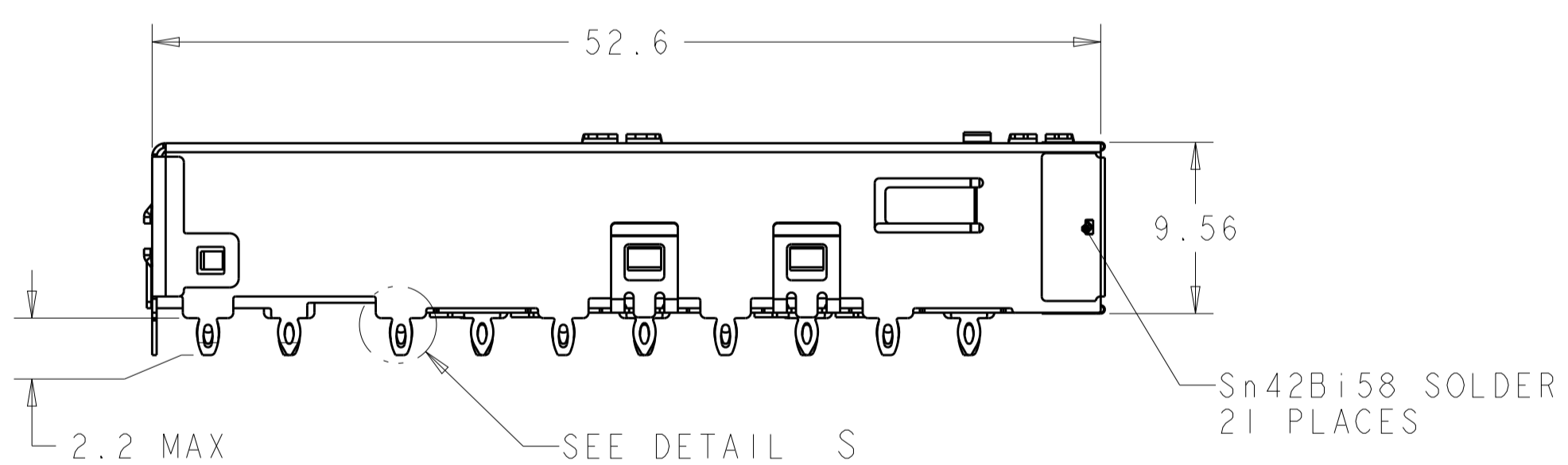


LOC	DIST	REVISIONS			
P	LTN	DESCRIPTION	DATE	DWN	APVD
A		INITIAL RELEASE	31JAN2013	JY	AC

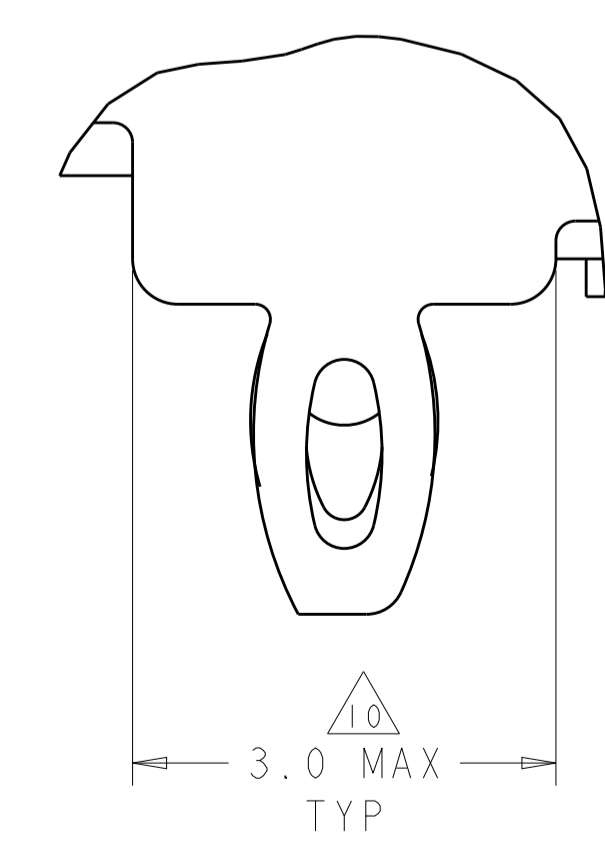
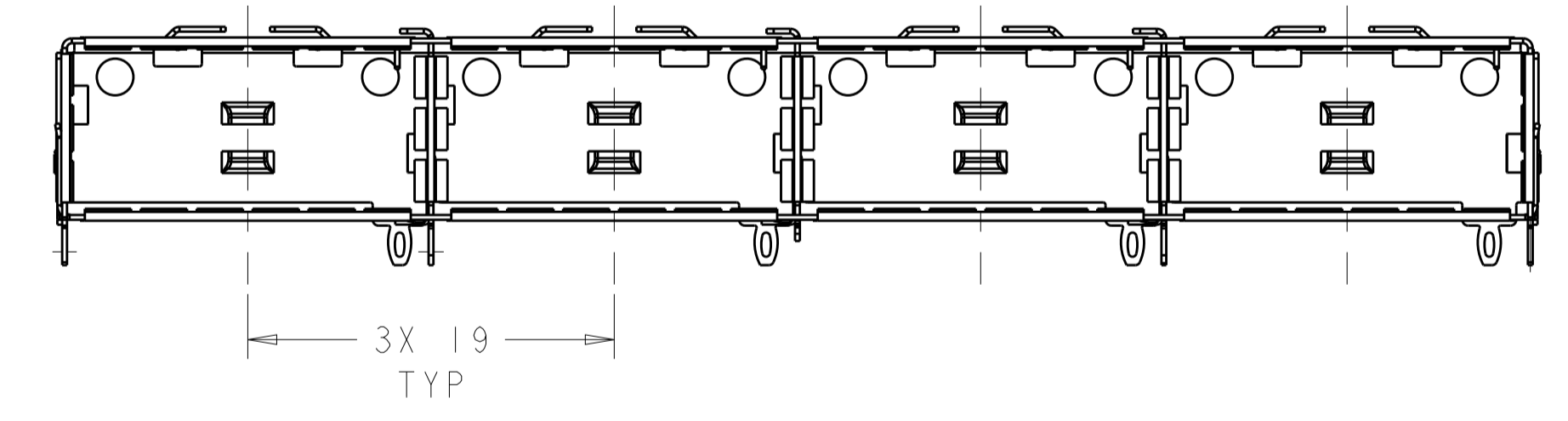


SCALE 3:1



SCALE 3:1

- △ CAGE ASSEMBLY MATERIAL: NICKEL SILVER, 0.25 THICK
EMI SPRING MATERIAL: COPPER ALLOY
- △ PITCH BETWEEN PORTS OF ONE 1X4 CAGE ASSEMBLY.
- △ SPACING BETWEEN CAGES ON THE SAME PC BOARD, TO BE SPECIFIED BY CUSTOMER, MUST COMPLY WITH MINIMUM DIMENSIONS SHOWN.
- △ REFERENCE APPLICATION SPEC 114-13218 FOR RECOMMENDED DRILL HOLE DIAMETER AND PLATING THICKNESS.
- △ DATUMS AND BASIC DIMENSIONS ESTABLISHED BY CUSTOMER.
- △ DIMENSION C IS THE NOMINAL THICKNESS OF CUSTOMER SUPPLIED PC BOARD,
SINGLE SIDED PC BOARD MINIMUM THICKNESS = 1.45mm
DOUBLE SIDED PC BOARD MINIMUM THICKNESS = 2.2mm PER QSFP.
- △ DATUM -A- IS TOP SURFACE OF PC BOARD.
- △ UNPLATED THRU HOLE.
- 9. MATES WITH QSFP MSA COMPATIBLE TRANSCEIVER.
- △10 SURFACE TRACES PERMITTED WITHIN THIS AREA EXCEPT WHERE CAGE STANDOFFS, SHOWN IN DETAIL S, CONTACT PC BOARD.
- △11 BASELINE FOR THESE DIMENSIONS IS THE CENTER OF COMPLIANT PIN HOLE.
- △12 DATE CODE (YYWWD) MARKED ON TOP OF CAGE.
- △13 EMI SPRING FINISH: 2µm MINIMUM TIN

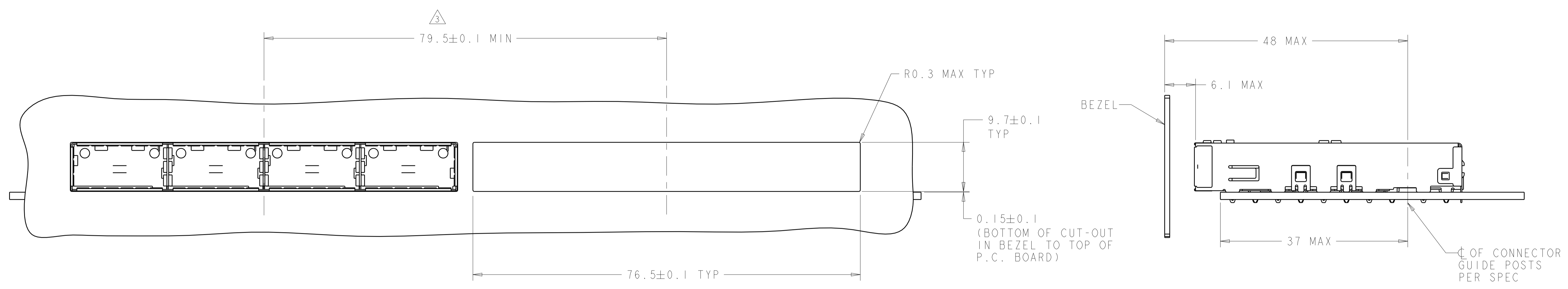


DETAIL S
SCALE 20:1

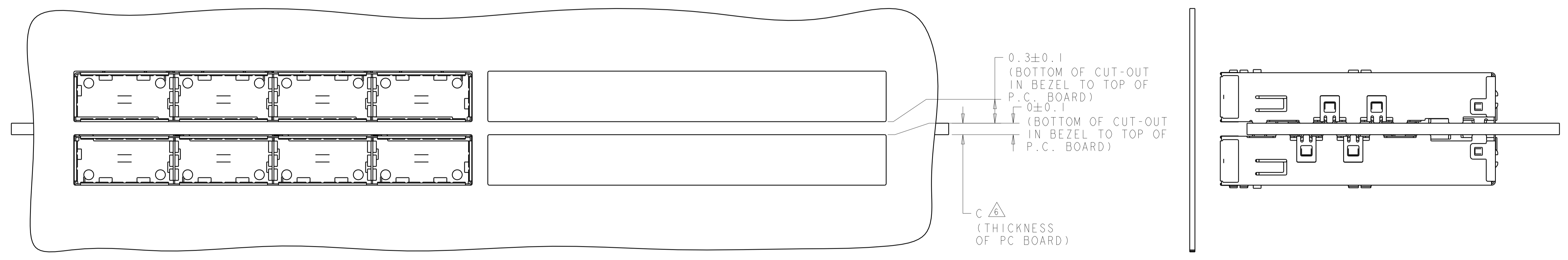
2170402-1
PART NUMBER

THIS DRAWING IS A CONTROLLED DOCUMENT.		DWN: JASON YANG 22AUG2012	TE Connectivity	
		CHK: ALEX CAI 22AUG2012		
DIMENSIONS:		APVD: ALEX CAI 22AUG2012	NAME: 1X4 QSFP, CAGE ASSEMBLY, W/O FLANGE	
mm	0 PLC ±	PRODUCT SPEC	SIZE: CAGE CODE DRAWING NO	
	1 PLC ±0.25	108-2286	RESTRICTED TO	
	2 PLC ±0.15	APPLICATION SPEC	A100779C=2170402	
	3 PLC ±	114-13218	SCALE: 1:1 SHEET 1 OF 4 REV A	
	4 PLC ±	WEIGHT		
	ANGLES ±	Customer Drawing		
MATERIAL	FINISH			

LOC	DIST	REVISIONS					
GP	00	P.	LTH	DESCRIPTION	DATE	DWN	APVD
-	-	-	-	SEE SHEET 1	-	-	-



ONE SIDED CONFIGURATION
 SCALE 5:2

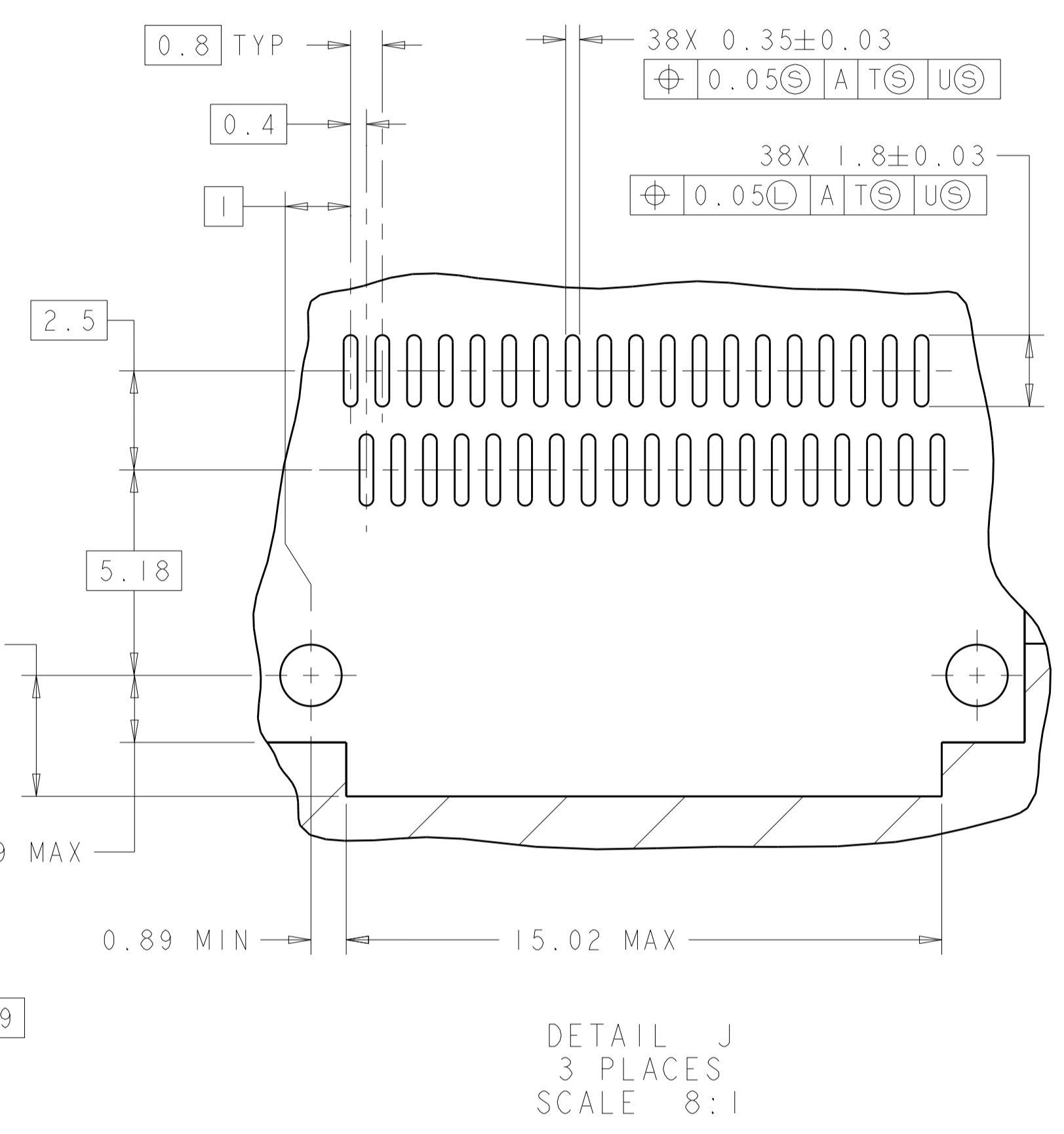
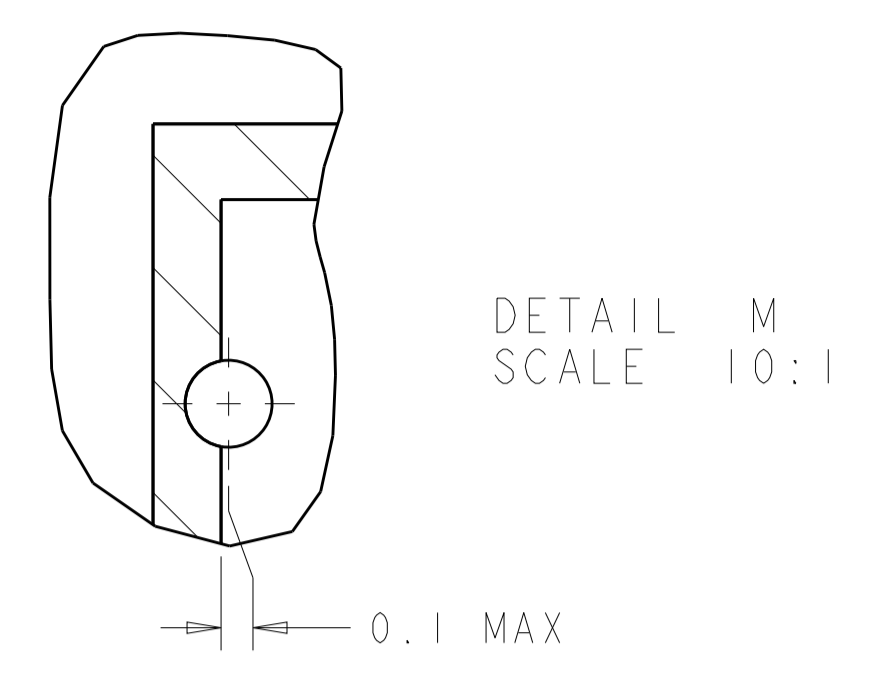
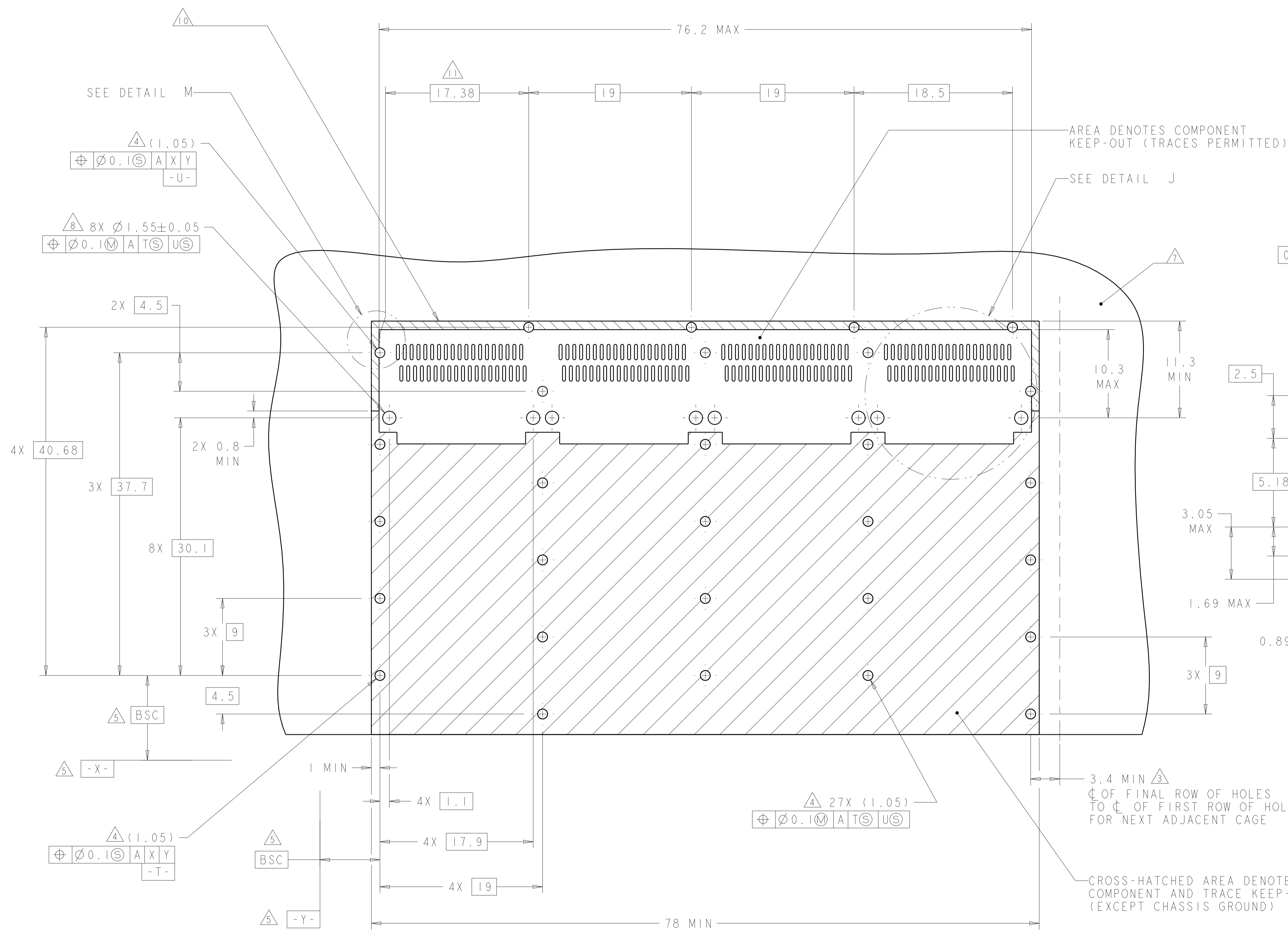


BELLY TO BELLY CONFIGURATION SIMILAR
 TO ONE SIDED EXCEPT WHERE NOTED
 SCALE 5:2

THIS DRAWING IS A CONTROLLED DOCUMENT.		DWN: JASON YANG 22AUG2012	TE Connectivity
DIMENSIONS:		CHK: ALEX CAI 22AUG2012	
mm	0 PLC ±	APVD: ALEX CAI 22AUG2012	NAME: 1X4 QSFP, CAGE ASSEMBLY, W/O FLANGE
	1 PLC ±0.25	PRODUCT SPEC	SIZE: CAGE CODE DRAWING NO
	2 PLC ±0.15	108-2286	RESTRICTED TO
	3 PLC ±	APPLICATION SPEC	A100779C=2170402
	4 PLC ±	114-13218	SCALE 1:1 SHEET 2 OF 4 REV A
MATERIAL:	FINISH:	WEIGHT:	Customer Drawing

LOC	DIST	REV	DATE	BY	APPD
GP	00				

REVISIONS			
NO.	DESCRIPTION	DATE	BY
-	SEE SHEET 1	-	-

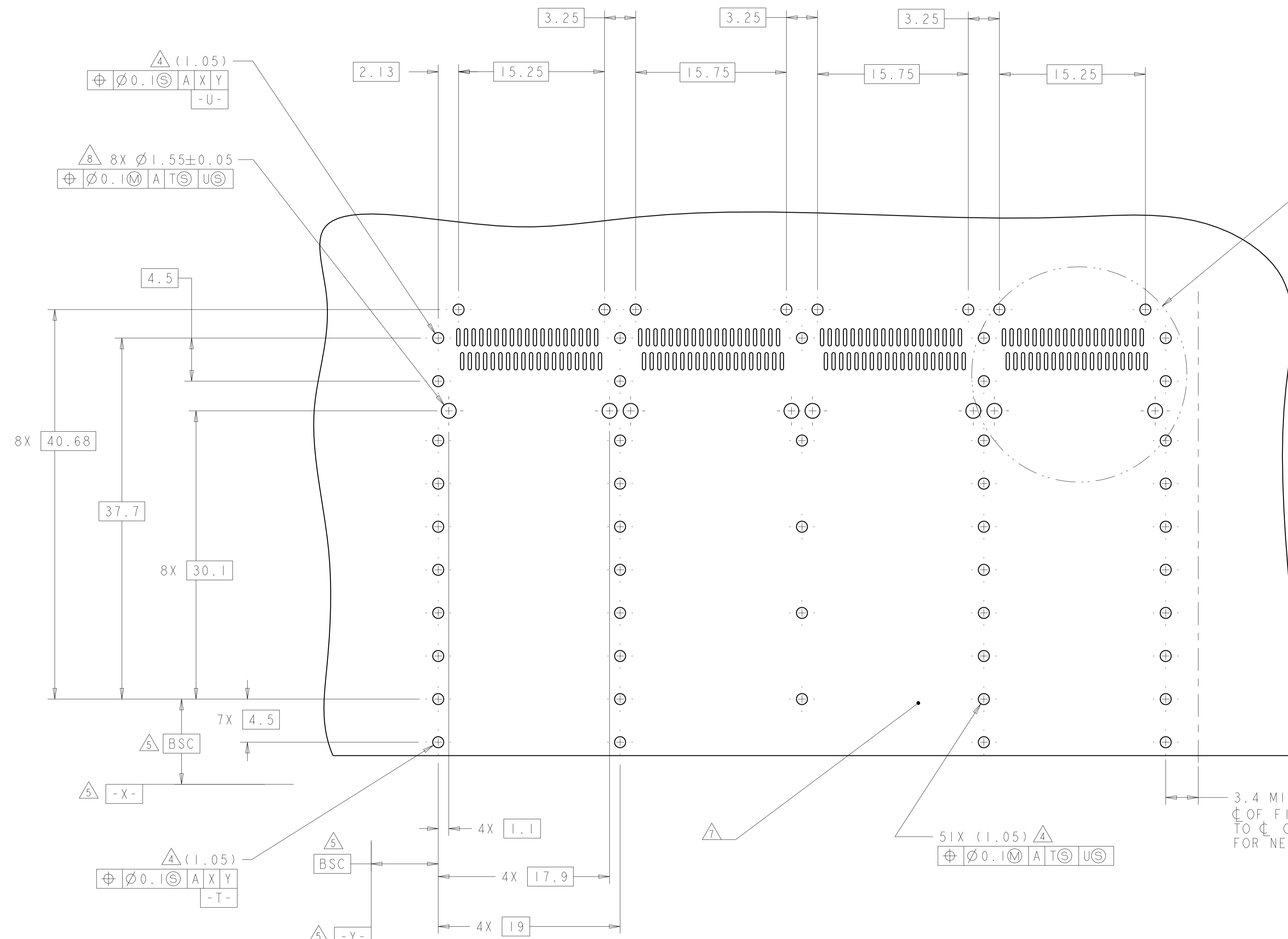


RECOMMENDED PC BOARD LAYOUT
 SINGLE SIDE MOUNT CONFIGURATION
 TOLERANCE: ±0.05
 SCALE 4:1

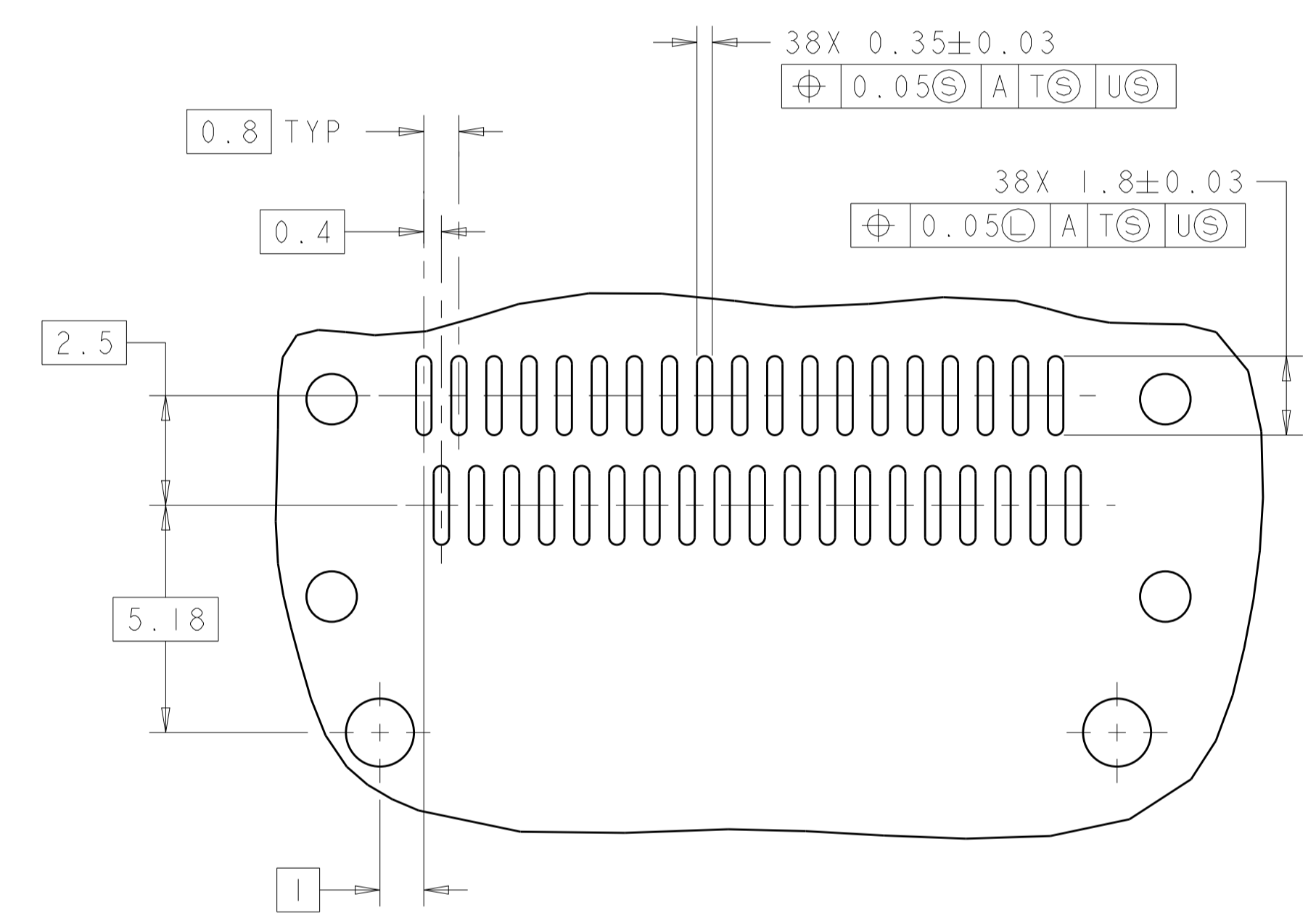
THIS PRODUCT HAS NOT COMPLETED VALIDATION/QUALIFICATION TESTING

THIS DRAWING IS A CONTROLLED DOCUMENT.		DWN: JASON YANG 22AUG2012 CHK: ALEX CAI 22AUG2012 APPD: ALEX CAI 22AUG2012	TE Connectivity
DIMENSIONS: mm 	TOLERANCES UNLESS OTHERWISE SPECIFIED: 0 PLC ±0.25 1 PLC ±0.15 2 PLC ±0.15 3 PLC ±0.15 4 PLC ±0.15 ANGLES ±0.15	NAME: 1X4 QSFP, CAGE ASSEMBLY, W/O FLANGE PRODUCT SPEC: 108-2286 APPLICATION SPEC: 114-13218 WEIGHT: - Customer Drawing	

LOC	DIST	REVISIONS					
GP	00	P	LTN	DESCRIPTION	DATE	DMN	APVD
		-		SEE SHEET 1	-	-	-



SEE DETAIL K



DETAIL K
SCALE 8:1

RECOMMENDED PC BOARD LAYOUT
 BELLY TO BELLY CONFIGURATION
 SEE SHEET 4 FOR COMPONENT
 AND TRACE KEEP-OUTS
 TOLERANCE: ±0.05
 SCALE 4:1

3.4 MIN 3
 OF FINAL ROW OF HOLES
 TO OF FIRST ROW OF HOLES
 FOR NEXT ADJACENT CAGE

THIS PRODUCT HAS NOT COMPLETED VALIDATION/QUALIFICATION TESTING

THIS DRAWING IS A CONTROLLED DOCUMENT.		DMN: JASON YANG 22AUG2012	TE Connectivity
DIMENSIONS: mm		CHK: ALEX CAI 22AUG2012	
TOLERANCES UNLESS OTHERWISE SPECIFIED:		APVD: ALEY CAI 22AUG2012	NAME: 1X4 QSFP, CAGE ASSEMBLY, W/O FLANGE
0 PLC ±0.25	1 PLC ±0.15	PRODUCT SPEC: 108-2286	SIZE: CAGE CODE: DRAWING NO: RESTRICTED TO
2 PLC ±0.15	3 PLC ±0.15	APPLICATION SPEC: 114-13218	A100779C=2170402
4 PLC ±0.15	ANGLES ±0.1	WEIGHT: -	SCALE: 1:1 SHEET 4 OF 4 REV A
MATERIAL: -	FINISH: -	Customer Drawing	

单击下面可查看定价，库存，交付和生命周期等信息

[>>TE Connectivity\(泰科\)](#)