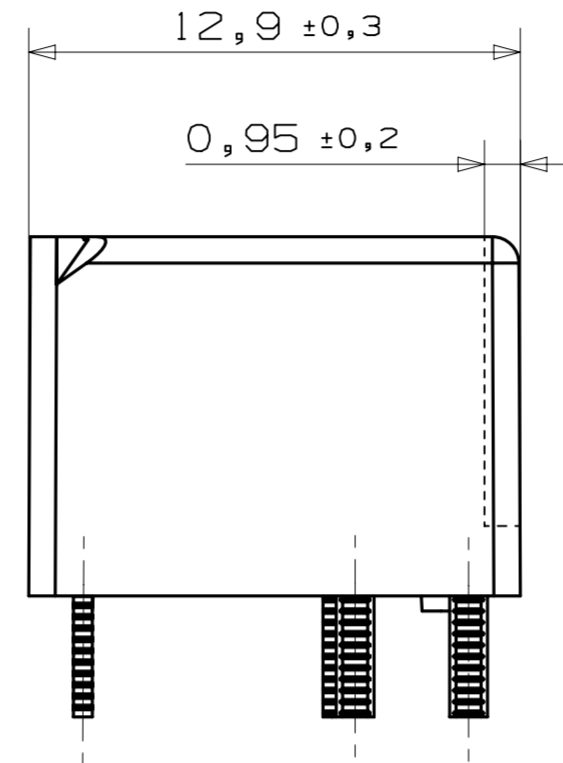
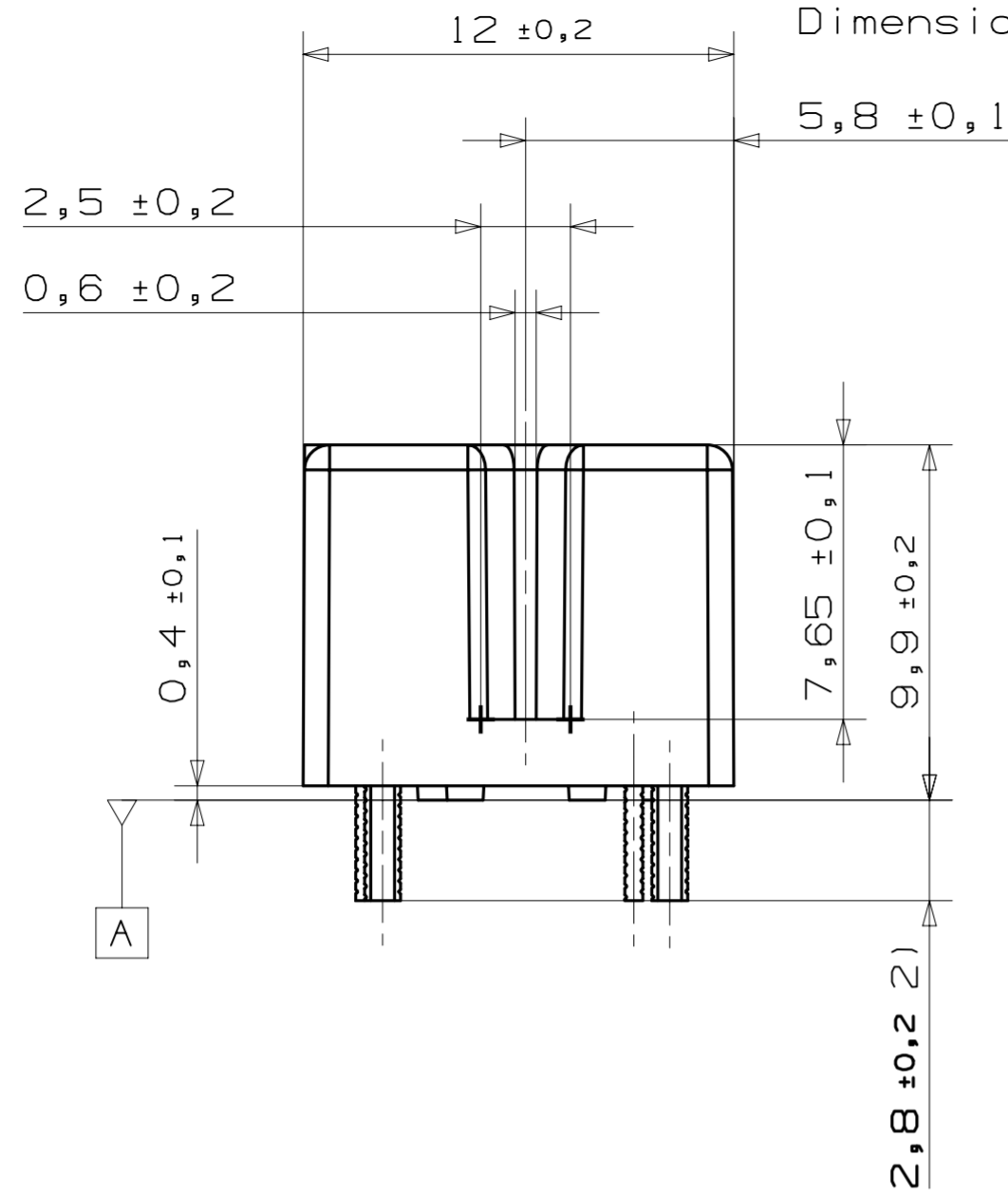
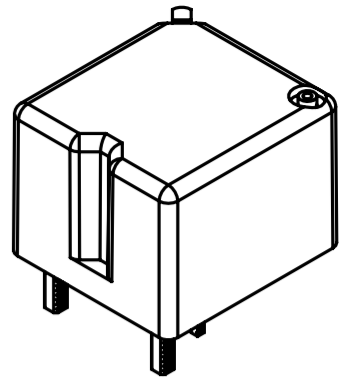
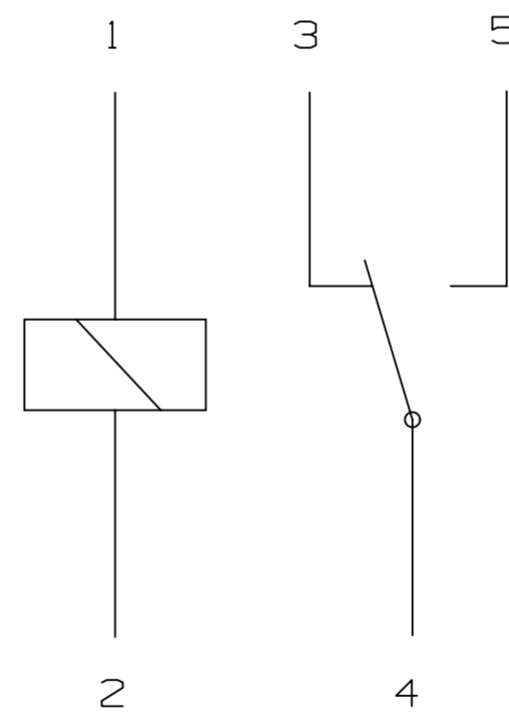
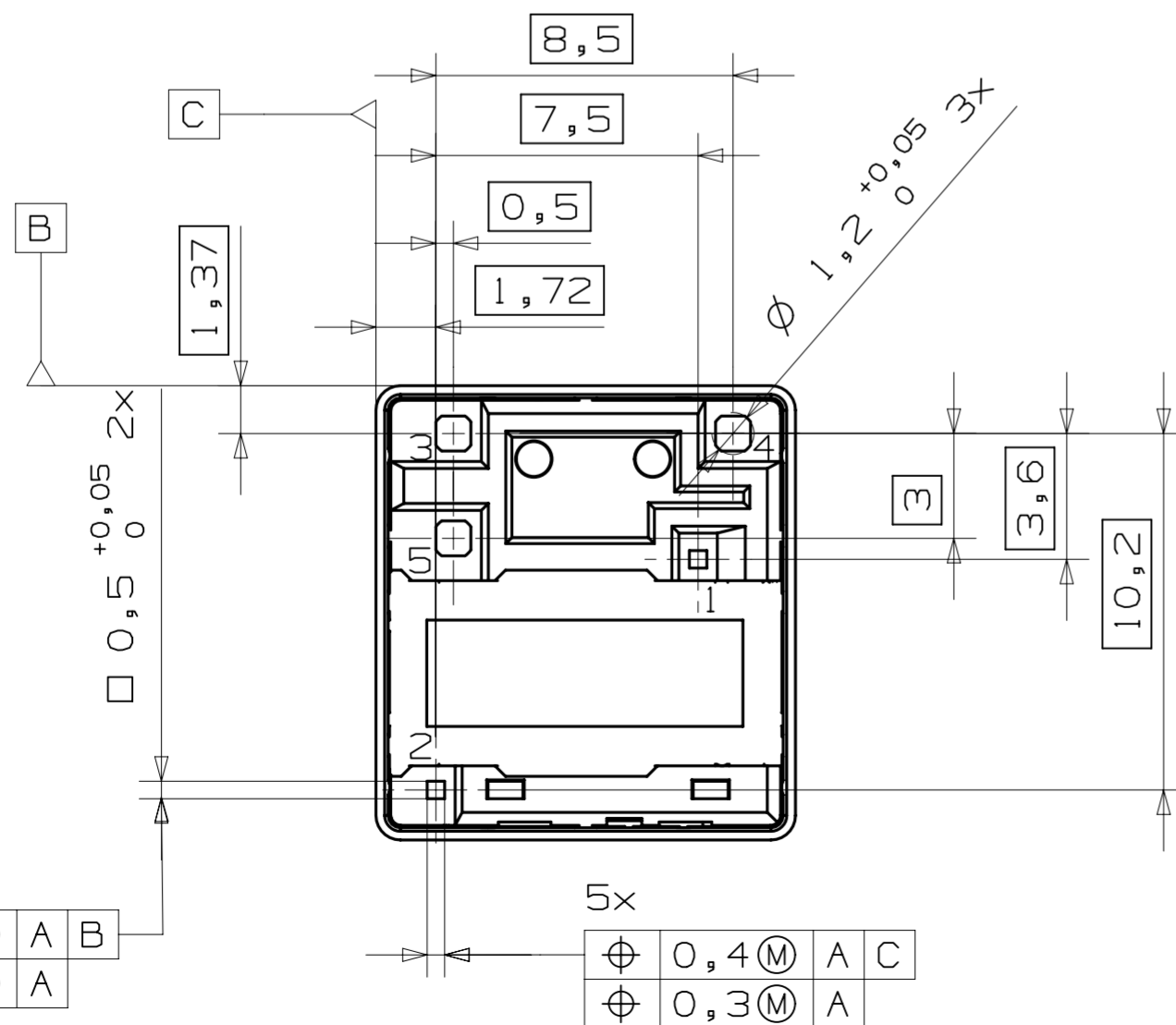


Massbild Wechsler  
Dimension drawing changeover-contact



Ansicht auf die Anschluesse  
View on the terminals

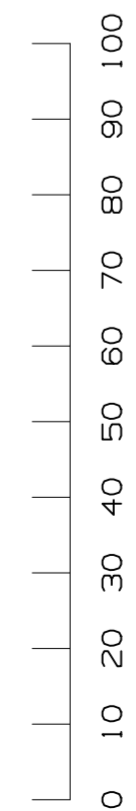
Schaltbild  
Circuit diagram



- 1) fuer Ebenheit und Geradheit  
ISO 2768 - L
- 2) Pinlaenge ohne Verzinnung  
mit Verzinnung max. 3,8mm
- 3) verstaerkte Verpackung

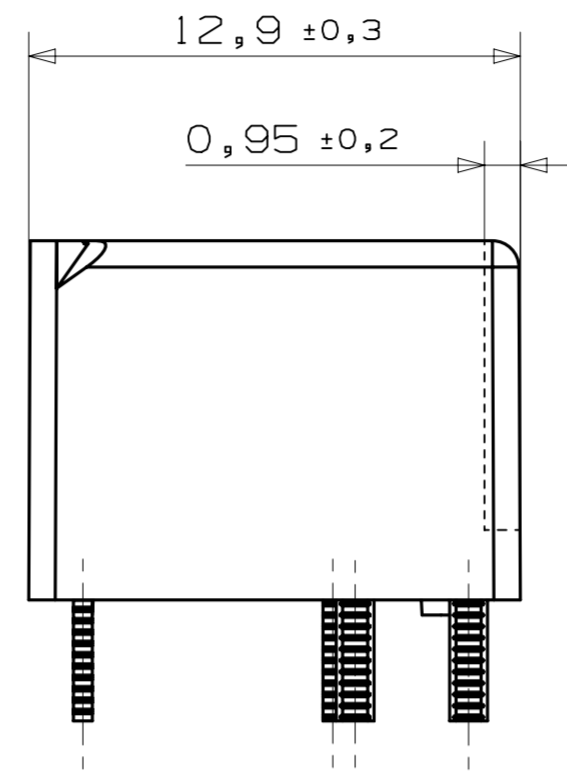
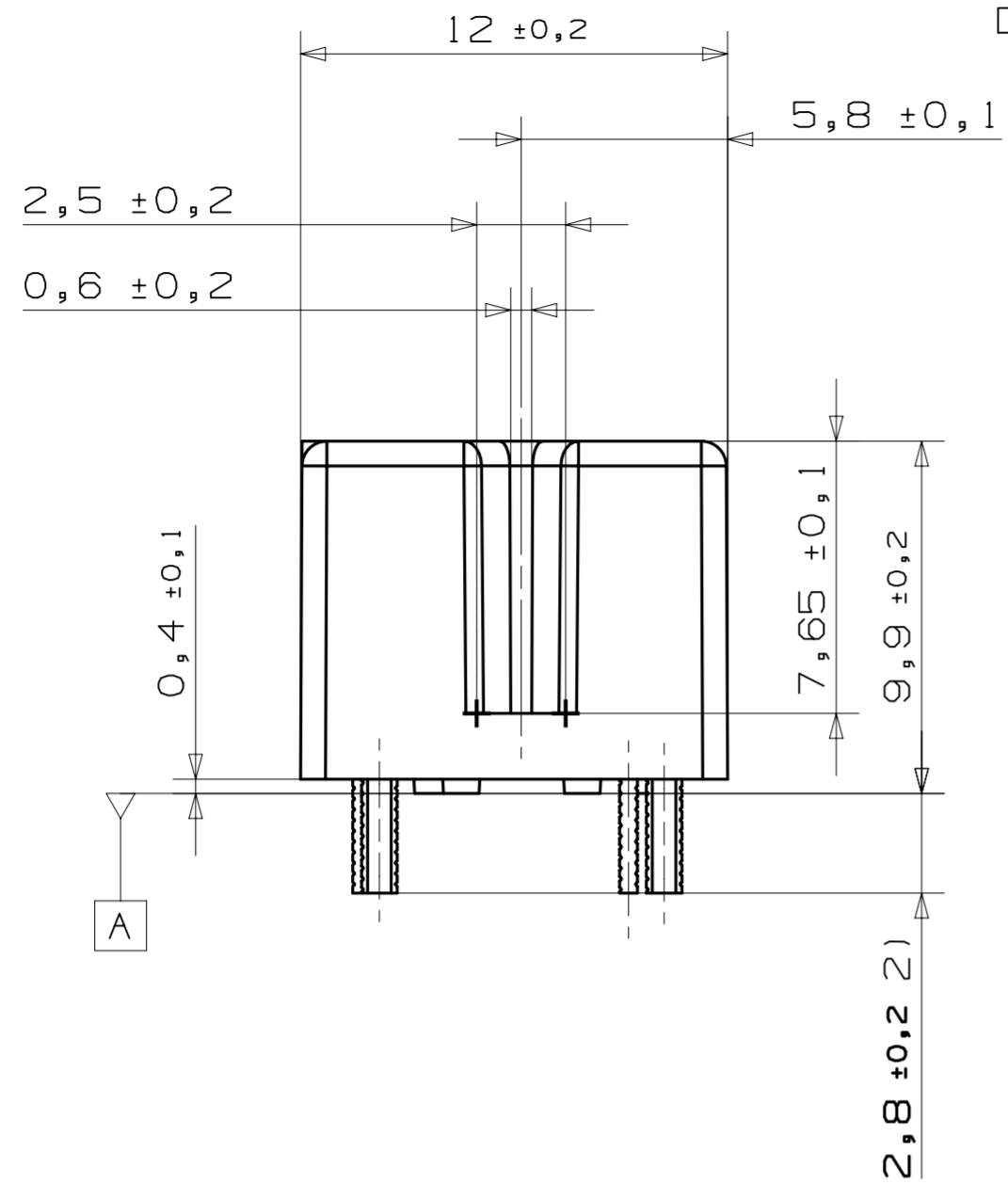
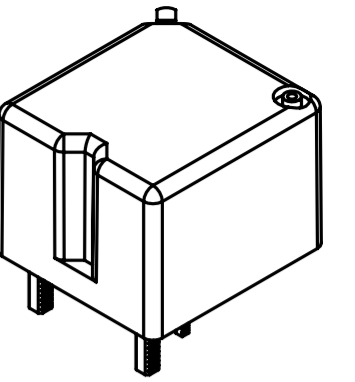
- 1) for flatness and straightness  
ISO 2768 - L
- 2) Length of terminal without tin  
with tin max. 3,8mm
- 3) Reinforced packaging

PART NUMBER	DESCRIPTION
1393280-5	V23086C1001A402
2392358-1 3)	
1393280-6	V23086C1001A403
1-1414761-0 3)	
9-1416000-8	V23086C1001A502
9-1416000-0	V23086C1001X008
3-1904077-7	V23086C1001X045
1-1393280-0	V23086C1002A402
1-1393280-1	V23086C1002A403
6-1415005-4 3)	V23086C1002A803
2-1414987-3	
2-1904073-8	V23086C1004A403
8-1416000-7	V23086C1021A502
1-1414760-0 3)	
9-1416000-3	V23086C1021X011
2-1904093-1	V23086C1051A502
1-1393280-3	V23086G1001A403
6-1414892-7	V23086G1501X028

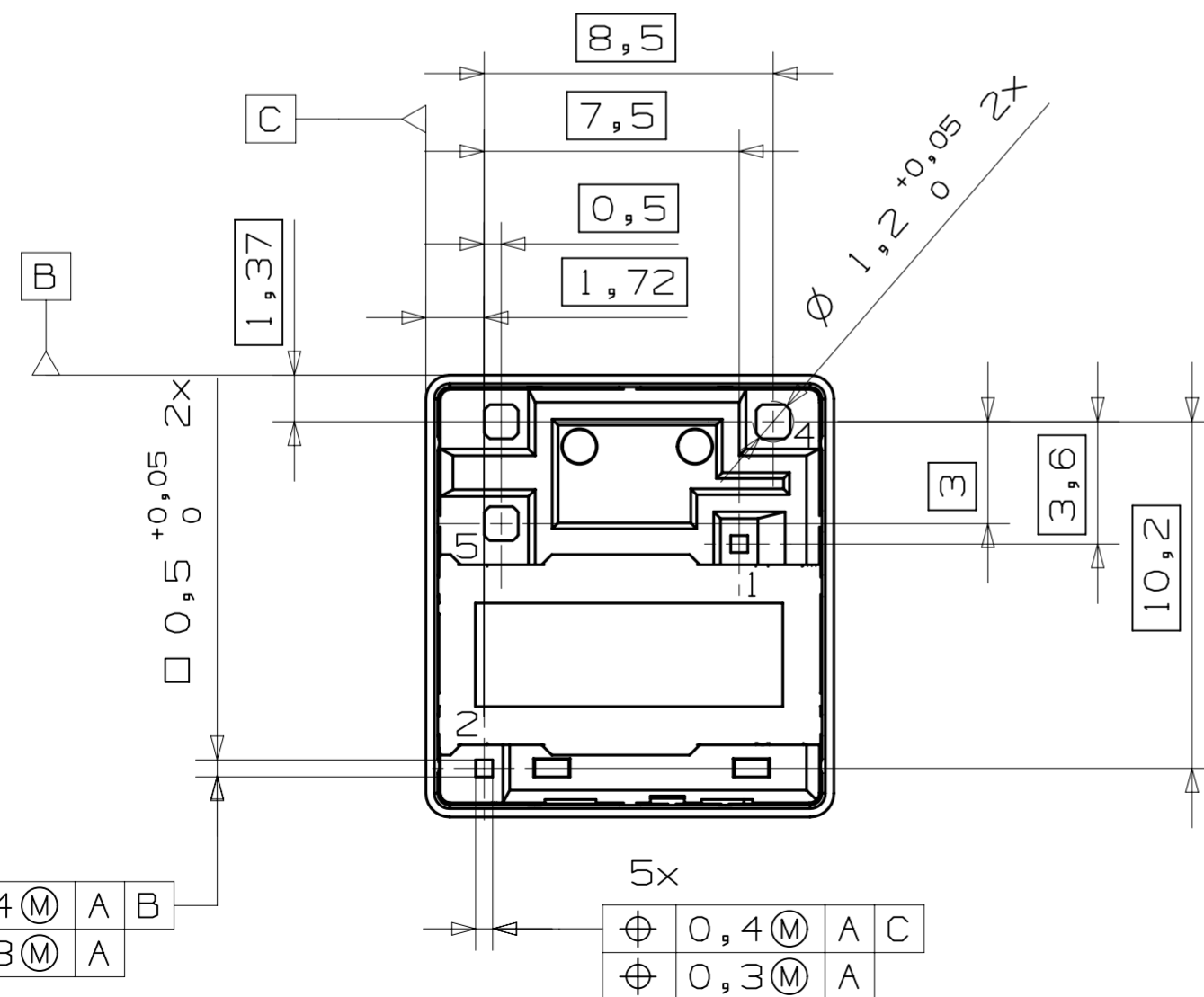


PROPRIETARY THE REPRODUCTION, TRANSMISSION OR USE OF THIS DOCUMENT OR IT'S CONTENTS IS NOT PERMITTED WITHOUT EXPRESSED WRITTEN AUTHORITY. OFFENDERS WILL BE LIABLE FOR ALL DAMAGES. ALL RIGHTS, INCLUDING RIGHTS CREATED BY REGISTERED PATENT(S) GRANTED FOR A UTILITY MODEL OR DESIGN, ARE RESERVED.				CHANGES TO THIS DRAWING MUST BE DONE ONLY IN CAD		PAPER SIZE A2	
APPLICABLE SPEC.:				FINISH			
DIMENSIONS UNLESS SPECIFIED OTHERWISE ISO 2768 mH 1)				DIMENSIONS IN MM		SCALE 5:1 WEIGHT ca. 4g	
DATE 97-10-23 NAME Reiss				PART NAME			
ECN-21-127863 23NOV2021 JFai DWN.				MicroK THT Dimension drawing			
ECO-12-017225 26SEP2012 JFai APP.				DWG NO.			
ECO-08-027644 2008-11-06 JFai REV.				C23303-A0086-A001-CD			
ECO-07-012552 2007-05-29 JFai LOCATION Bln-P				SHT. 1 OF 2			
ECO-06-028631 2006-12-07 ASCH				STE connectivity			
A Migration 2006-06-30 ASCH				REV. CHANGE ORDER DATE APP.			
WE06/A177 2006-06-28 ASCH				10 11 12			

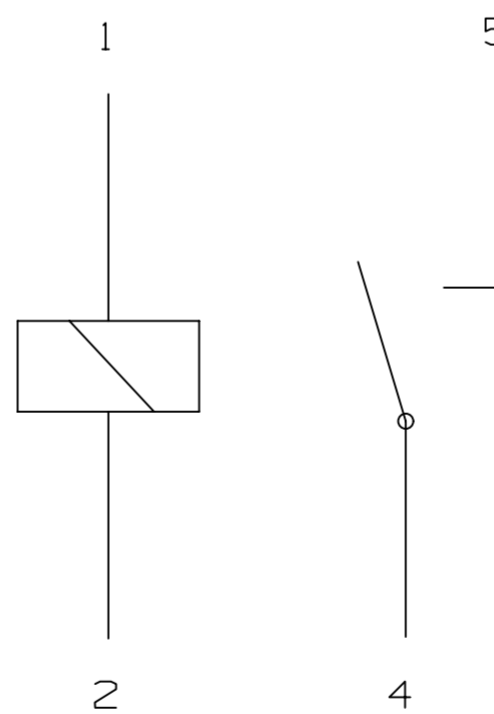
Massbild Schliesser  
Dimension drawing make-contact



Ansicht auf die Anschluesse  
View on the terminals

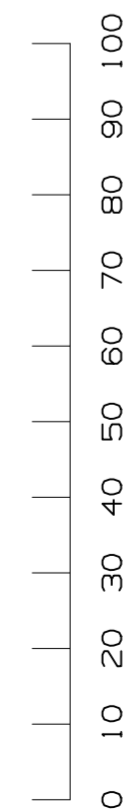


Schaltbild  
Circuit diagram



- 1) fuer Ebenheit und Geradheit  
ISO 2768 - L
- 2) Pinlaenge ohne Verzinnung  
mit Verzinnung max. 3,8mm

- 1) for flatness and straightness  
ISO 2768 - L
- 2) Length of terminal without tin  
with tin max. 3,8mm



<small>PROPRIETARY</small> THE REPRODUCTION, TRANSMISSION OR USE OF THIS DOCUMENT OR IT'S CONTENTS IS NOT PERMITTED WITHOUT EXPRESSED WRITTEN AUTHORITY. OFFENDERS WILL BE LIABLE FOR ALL DAMAGES. ALL RIGHTS, INCLUDING RIGHTS CREATED BY REGISTERED PATENT(S) GRANTED FOR A UTILITY MODEL OR DESIGN, ARE RESERVED.				CHANGES TO THIS DRAWING MUST BE DONE ONLY IN CAD		PAPER SIZE <b>A2</b>	
APPLICABLE SPEC.:				FINISH			
				DIMENSIONS APPLY		PLATING	
				SCALE <b>5:1</b>		WEIGHT <b>ca. 4g</b>	
				MATERIAL			
				PART NAME			
				MicroK THT Dimension drawing			
				DWG NO.			
				C23303-A0086-A001-CD			
REV. CHANGE ORDER				DATE		APP.	
B4 ECN-21-127863 23NOV2021 JFai DWN. 97-10-23 Reiss				B3 ECO-12-017225 26SEP2012 JFai APP.			
B2 ECO-08-027644 2008-11-06 JFai REV.				B1 ECO-07-012552 2007-05-29 JFai LOCATION Bin-P			
B ECO-06-028631 2006-12-07 ASCH				A Migration 2006-06-30 ASCH			
04 WE06/A177 2006-06-28 ASCH				STE connectivity			
				SHT. 2		OF 2	

单击下面可查看定价，库存，交付和生命周期等信息

[>>TE Connectivity\(泰科\)](#)