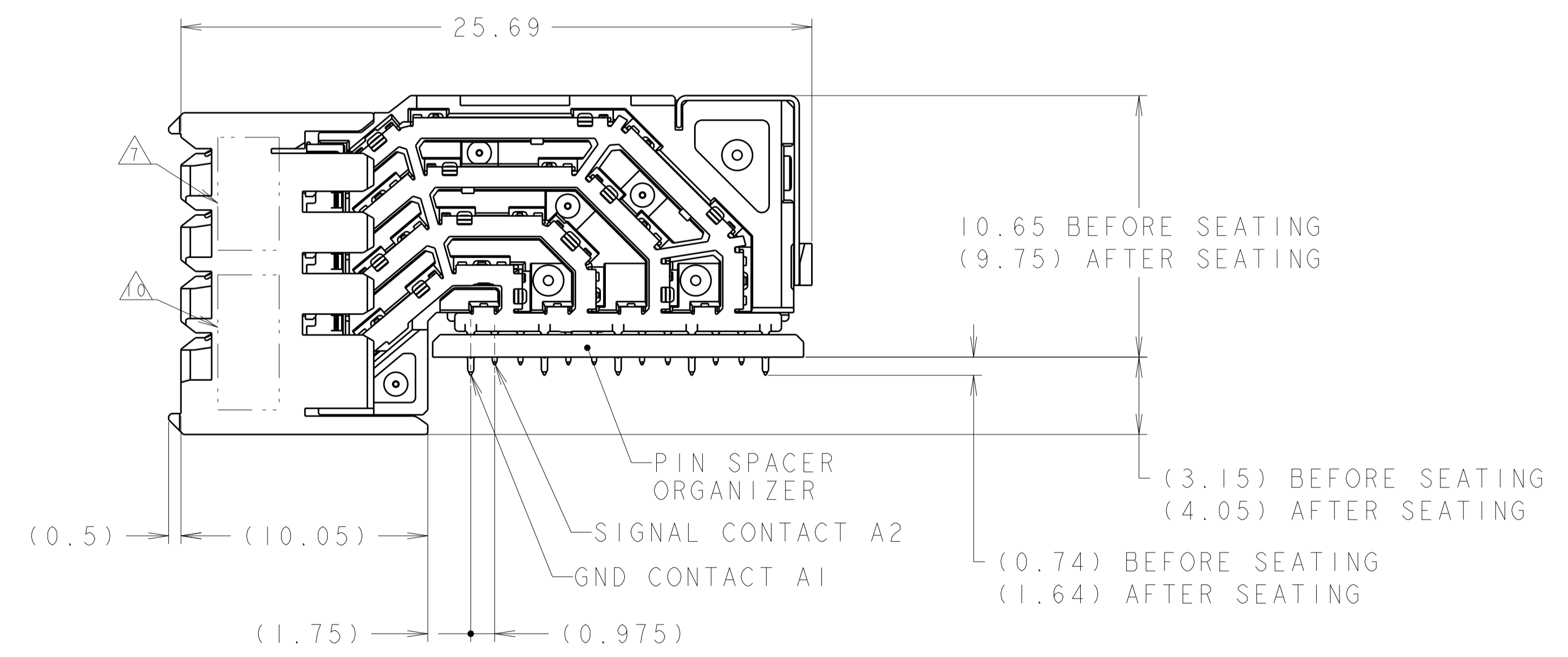
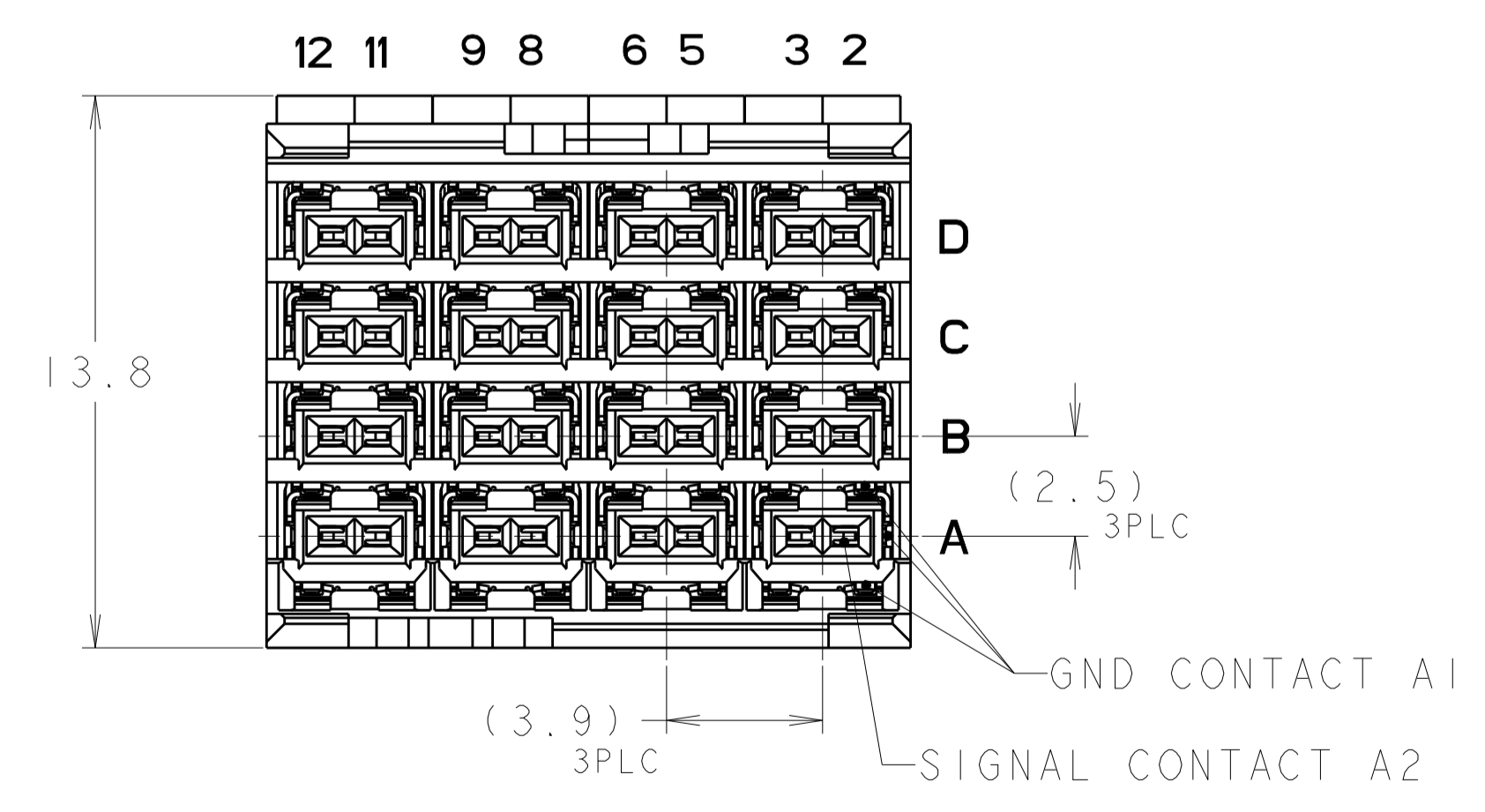
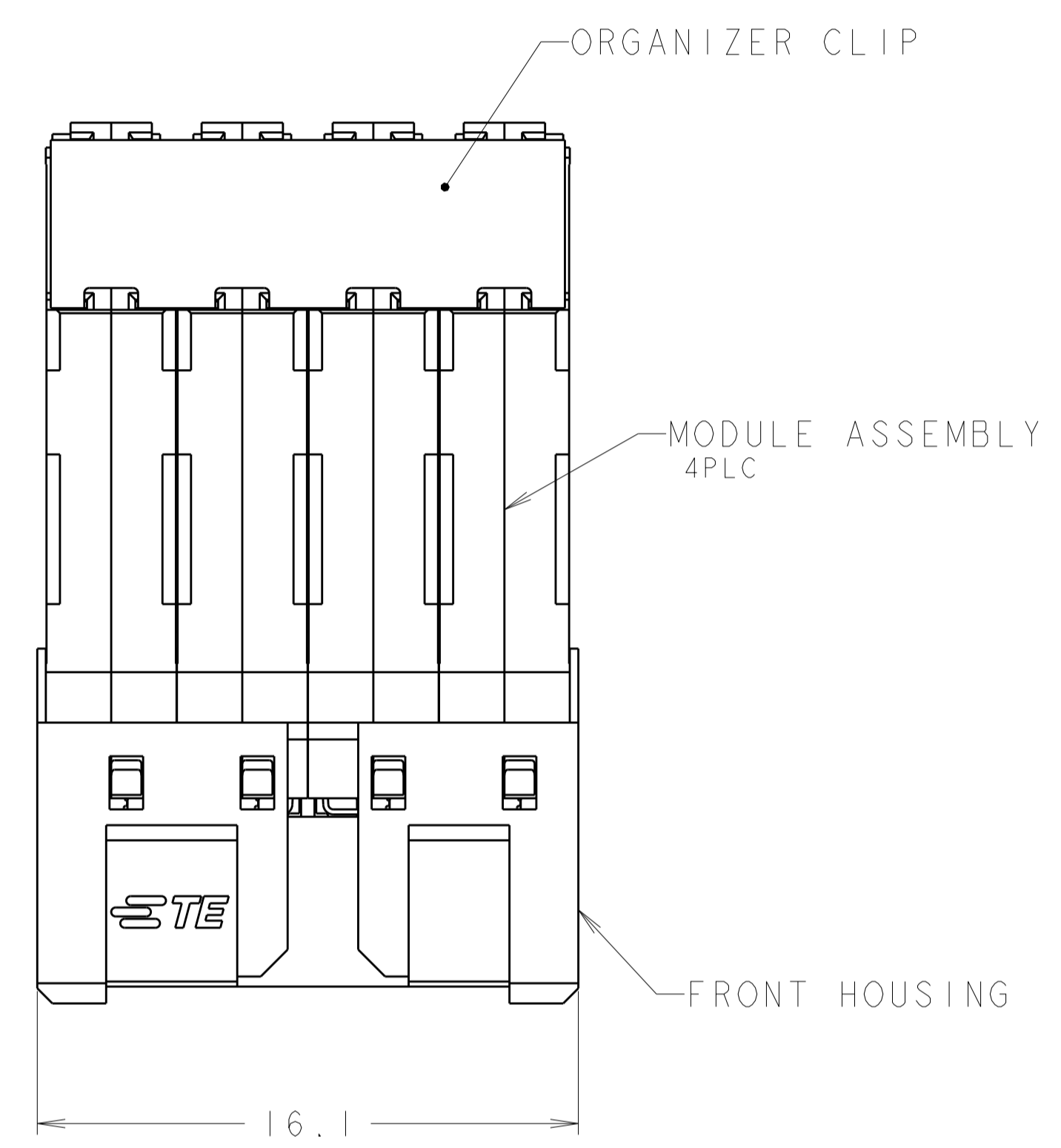


REVISIONS				
P.	LTN	DESCRIPTION	DATE	DWN APVD
A		RELEASED	16DEC2019	Y.K T.M
A1		REVISED	24DEC2019	Y.K T.M

- △ CONTACTS AND SHIELDS - COPPER ALLOY
 ORGANIZER - STAINLESS STEEL
 HOUSING AND PIN SPACER - THERMOPLASTIC, UL 94V-0, BLACK
- △ FINISH:
 CONFORMS TO THE REQUIREMENTS OF TE PRODUCT SPECIFICATION 108-140186
 BASED ON TELCORDIA GR-1217-CORE FOR SYSTEM QUALITY LEVEL III,
 APPLICATIONS IN CONTROLLED ENVIRONMENTS (CENTRAL OFFICE).
 COMPLIANT PIN AREA : 0.5um MIN MATTE TIN.
- △ GROUND PLATED THRU HOLE REQUIREMENTS:
 FINISHED HOLE = $\varnothing 0.37 \pm 0.05$
 HOLE SIZE PRIOR TO PLATING = $\varnothing 0.450 \pm 0.025$
 COPPER THICKNESS = 0.025 MIN
 IMMERSION TIN IF APPLICABLE = (0.00095)
- △ SIGNAL PLATED THRU HOLE REQUIREMENTS:
 FINISHED HOLE = $\varnothing 0.29 \pm 0.05$
 HOLE SIZE PRIOR TO PLATING = $\varnothing 0.368 \pm 0.025$ (#79 DRILL)
 COPPER THICKNESS = 0.025 MIN
 IMMERSION TIN IF APPLICABLE = (0.00095)
- △ SI VIA PLATED THRU HOLE REQUIREMENTS:
 FINISHED HOLE = AS REQUIRED
 HOLE SIZE PRIOR TO PLATING = $\varnothing 0.254 \pm 0.025$
 COPPER THICKNESS = 0.025 MIN
 IMMERSION TIN IF APPLICABLE = (0.00095)
- △ SIGNAL HOLES AND SI VIAS:
 PTH DIMMENSIONS APPLY TO THE TOP 1.00mm OF THE PCB THICKNESS FROM THE
 CONNECTOR MOUNTING SIDE.
 GROUND HOLES:
 PTH DIMMENSIONS APPLY TO THE TOP 1.25mm OF THE PCB THICKNESS FROM THE
 CONNECTOR MOUNTING SIDE.
- △ CONNECTOR MARKED WITH PART NUMBER, DATE CODE, AND "92 OHM" IN
 APPROXIMATE AREA SHOWN.
- △ DATUMS AND BASIC DIMENSIONS ESTABLISHED BY CUSTOMER
- △ APPLIES TO FINISHED HOLE DIAMETER
- △ DATAMATRIX BARCODE MARKING IN THIS AREA.

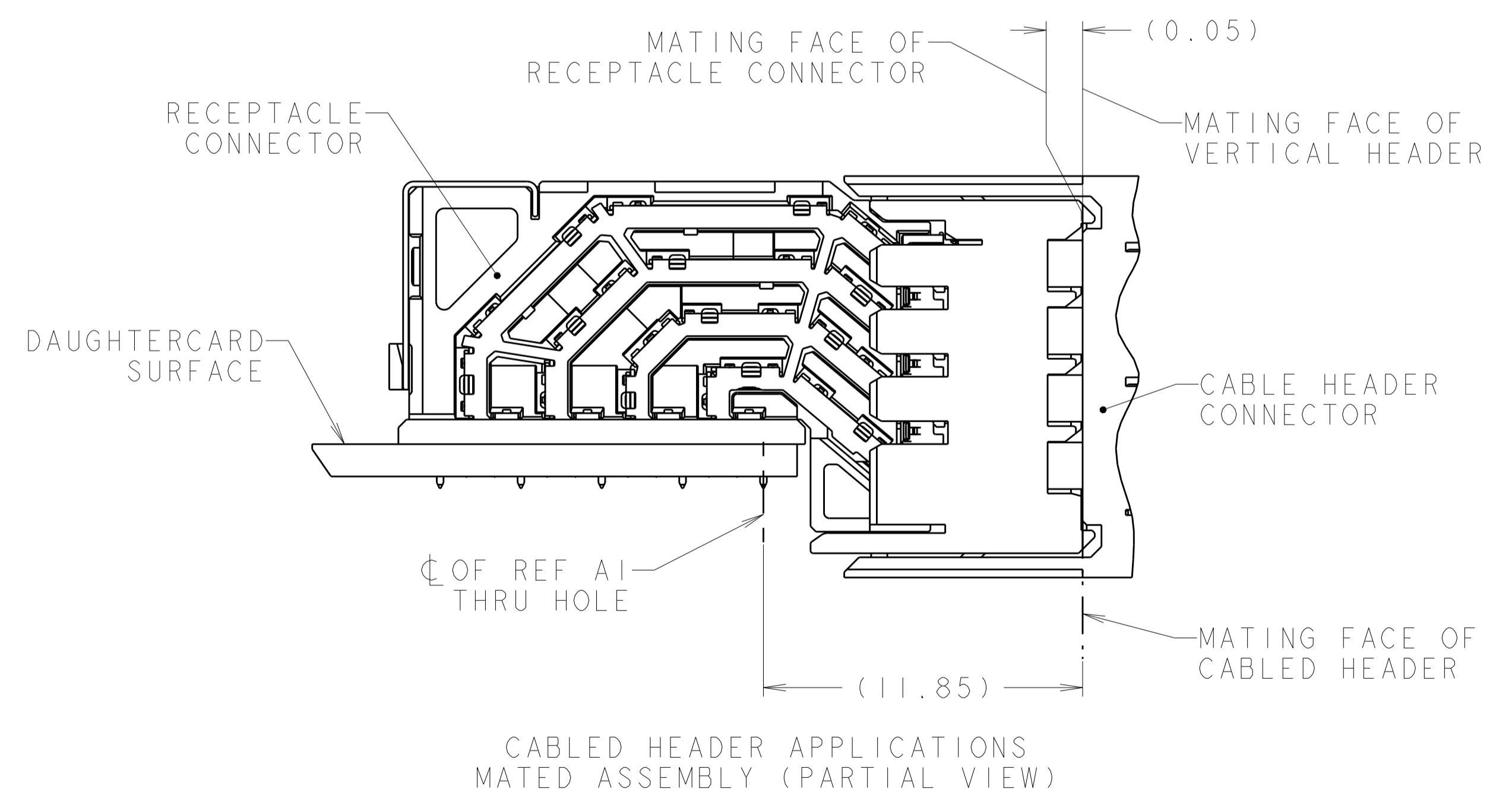
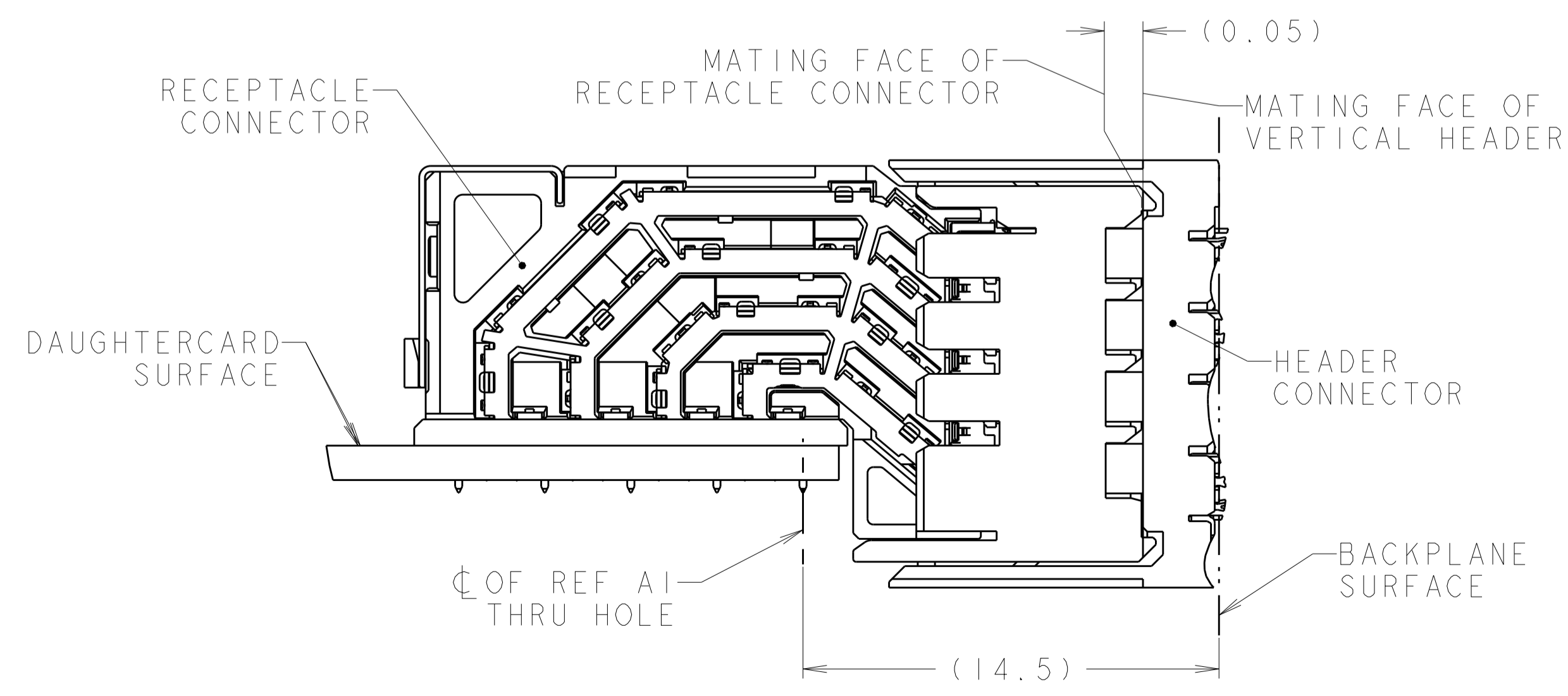
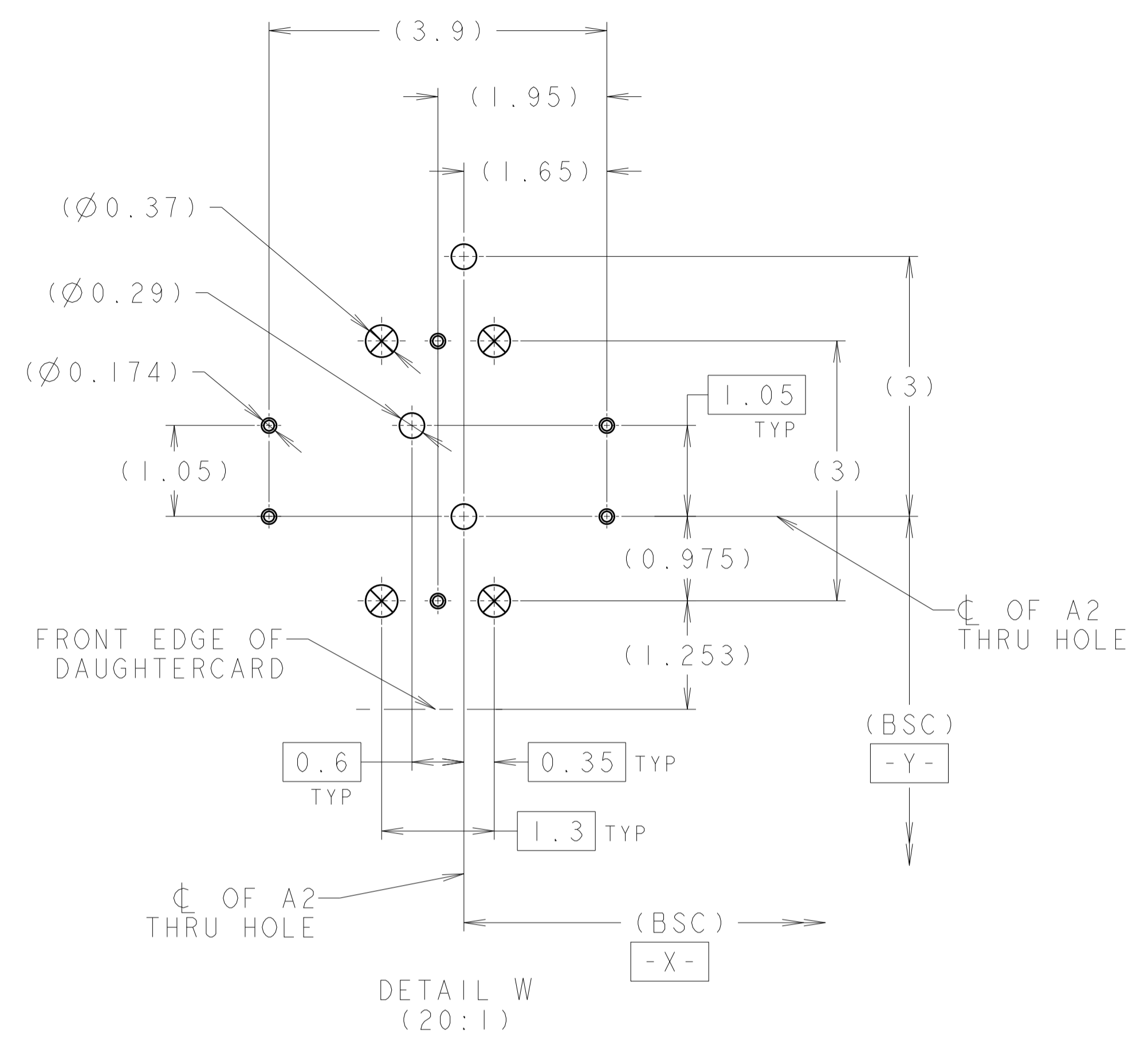
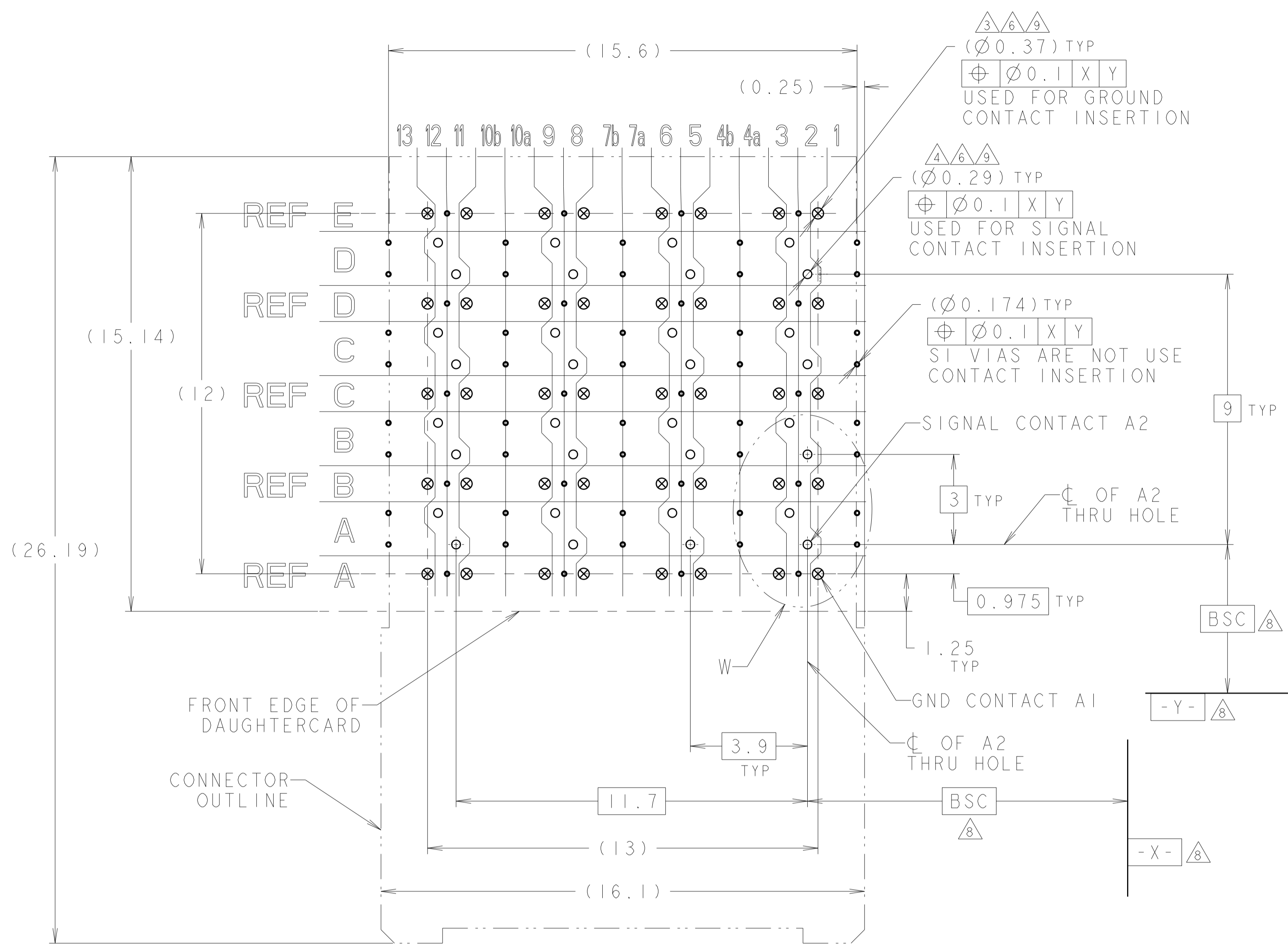


2356426-1
 PART NO

THIS DRAWING IS A CONTROLLED DOCUMENT.		DWN Y. KODAIRA 13MAY2019	TE Connectivity	
DIMENSIONS: mm		CHK M. IWASAKI 13MAY2019	NAME RIGHT ANGLE RECEPTACLE ASSEMBLY 4 PAIR 4 COLUMN, 92 OHM, PAIR-IN-ROW, STRADA WHISPER R	
TOLERANCES UNLESS OTHERWISE SPECIFIED: mm		APVD T. MATSUDAIRA 13MAY2019	PRODUCT SPEC 108-140186	
MATERIAL		APPL. SPEC 114-32029	SIZE A1	
FINISH		WEIGHT	CAGE CODE 0079	
CUSTOMER DRAWING		SCALE 6:1	DRAWING NO C-2356426	
		SHEET 1 OF 2		REV A1

○ = SIGNAL
 ⊗ = GROUND
 ⊙ = SIGNAL INTEGRITY VIA TO GROUND

REVISIONS				
P. LTH	DESCRIPTION	DATE	DWN	APVD
	SEE SHEET 1			



THIS DRAWING IS A CONTROLLED DOCUMENT.		DWN	TE Connectivity	
DIMENSIONS: mm		CHK	NAME	
TOLERANCES UNLESS OTHERWISE SPECIFIED:		APVD	RIGHT ANGLE RECEPTACLE ASSEMBLY	
0 PLC	±0.3	PRODUCT SPEC	4 PAIR 4 COLUMN, 92 OHM,	
1 PLC	±0.3	APPLICATION SPEC	PAIR-IN-ROW, STRADA WHISPER R	
2 PLC	±0.3	WEIGHT	SIZE	RESTRICTED TO
3 PLC	±0.3	CUSTOMER DRAWING	A1	0079
4 PLC	±0.3		C=C-2356426	
ANGLES	±0.3		SCALE	5:1
FINISH	±0.3		SHEET	2 OF 2
			REV	A1

单击下面可查看定价，库存，交付和生命周期等信息

[>>TE Connectivity\(泰科\)](#)