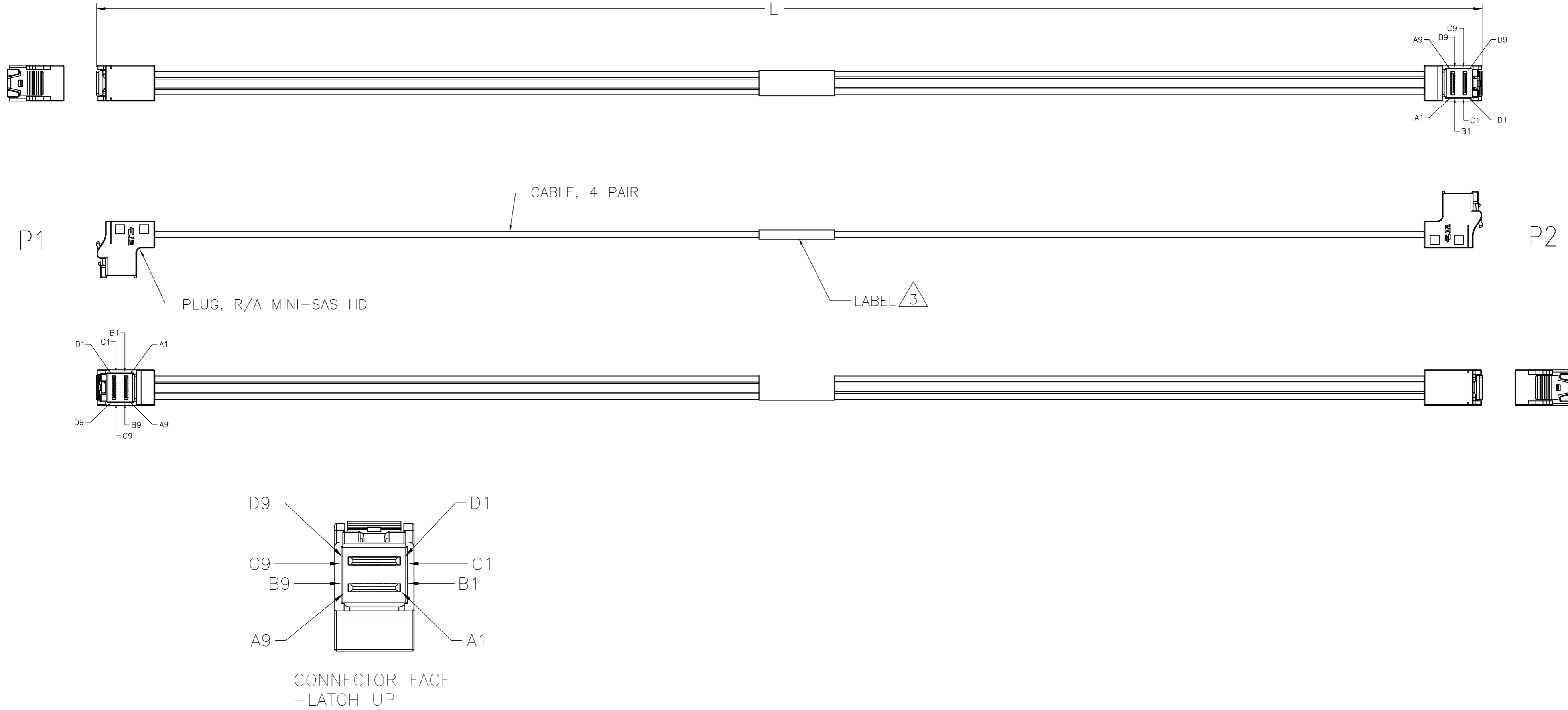


THIS DRAWING IS UNPUBLISHED. RELEASED FOR PUBLICATION  
 © COPYRIGHT - By - ALL RIGHTS RESERVED.

LOC	DIST	REVISIONS			
P	LTR	DESCRIPTION	DATE	DWN	APVD
GP	00	A	INITIAL RELEASE	07JUL2015	MY GG



- ASSEMBLY TO BE 100% TESTED FOR CONTINUITY, SHORTS, AND OPENS, CABLES ASSEMBLYS ARE ALSO TO BE 100% TESTED FOR SIGNAL INTEGRITY, TO SAS 3.0 REQUIREMENTS.
- ROHS AND REACH COMPLIANCE: PRODUCT AND PROCESSING MEETS REQUIREMENTS OF TE SPECIFICATION TEC-138-702.

△ LABEL CENTERED AND LABEL INFORMATION AS BELOW:

<b>STE</b> 2820326-[ ]	TE LOGO AND P/N
--- METERS	LENGTH
MADE IN ---	COUNTRY OF ORIGIN
YYWWSSSS	YYWW IS DATE CODE, SSSS IS SERIAL
	BAR FOR YYWWSSSS

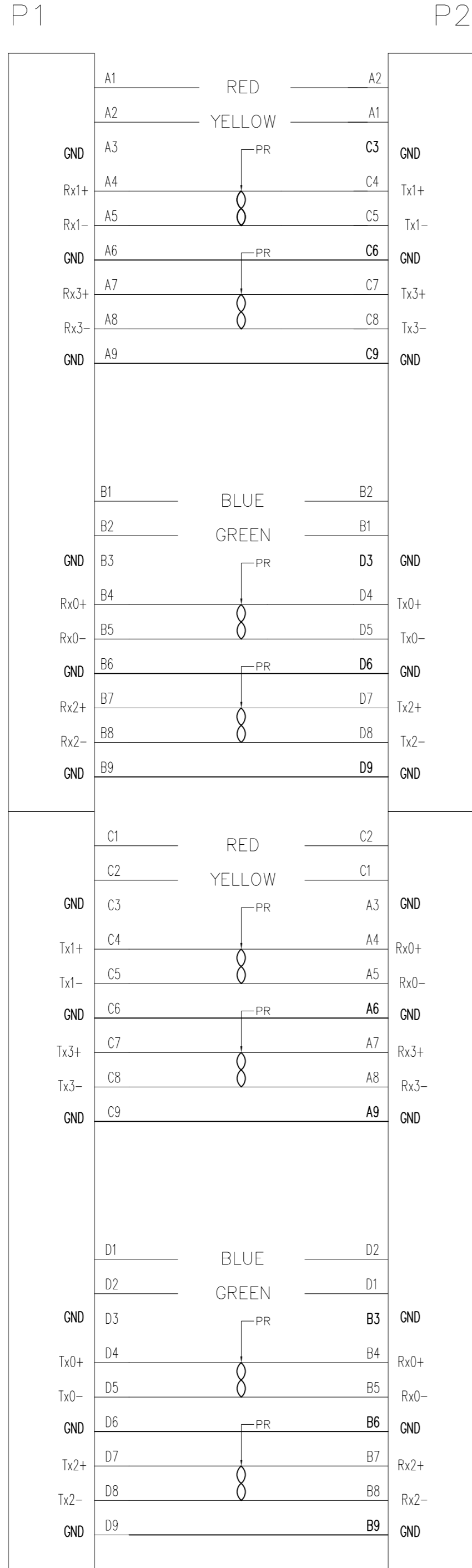
4. SEE SHEET #2 FOR WIRING SCHEMATIC.

1000	+25 -0	2820326-4
700	+25 -0	2820326-3
500	+25 -0	2820326-2
300	+25 -0	2820326-1
"L"[MM]		TE P/N

THIS DRAWING IS A CONTROLLED DOCUMENT.		DWN	M.YI	16/JUN/2014	TE Connectivity C/A, INTERNAL HD MINI SAS, R/A TO R/A 85 OHMS, 4X, NON HALOGEN			
DIMENSIONS:		CHK	G.GUTGOLD	16/JUN/2014				
mm	TOLERANCES UNLESS OTHERWISE SPECIFIED:	APVD	G.GUTGOLD	16/JUN/2014				
0 PLC	± -	PRODUCT SPEC						
1 PLC	± -	APPLICATION SPEC			SIZE	CAGE CODE	DRAWING NO	RESTRICTED TO
2 PLC	± -				A2	00779	C=2820326	
3 PLC	± -				CUSTOMER DRAWING			SCALE
4 PLC	± -							N.T.S.
ANGLES	± -							SHEET
FINISH		WEIGHT	-					1 of 2
								REV
								A

THIS DRAWING IS UNPUBLISHED. RELEASED FOR PUBLICATION  
 © COPYRIGHT - By - ALL RIGHTS RESERVED.

LOC		DIST		REVISIONS			
P	LTR	DESCRIPTION	DATE	DWN	APVD		
GP	00	-	SEE SHEET 1	-	-	-	-



# WIRING PATTERN

THIS DRAWING IS A CONTROLLED DOCUMENT.		DWN	16/JUN/2014		TE Connectivity		
DIMENSIONS: mm		CHK	16/JUN/2014		NAME		
TOLERANCES UNLESS OTHERWISE SPECIFIED:		APVD	16/JUN/2014		C/A, INTERNAL HD MINI SAS, R/A TO R/A		
0 PLC ± -		PRODUCT SPEC			85 OHMS, 4X, NON HALOGEN		
1 PLC ± -		APPLICATION SPEC		SIZE	CAGE CODE	DRAWING NO	RESTRICTED TO
2 PLC ± -		WEIGHT	-	A2	00779	C=2820326	-
3 PLC ± -		CUSTOMER DRAWING		SCALE	N.T.S.	SHEET	2 OF 2
4 PLC ± -							REV
ANGLES ± -							A
FINISH							

2820326

单击下面可查看定价，库存，交付和生命周期等信息

[>>TE Connectivity\(泰科\)](#)