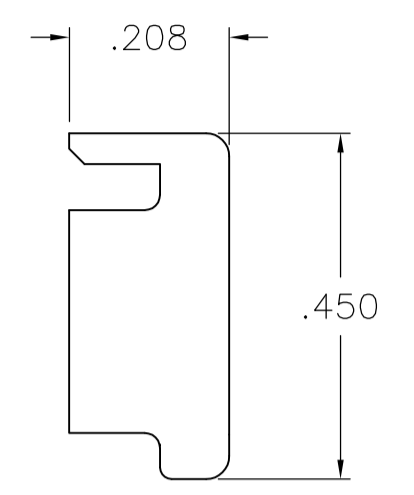
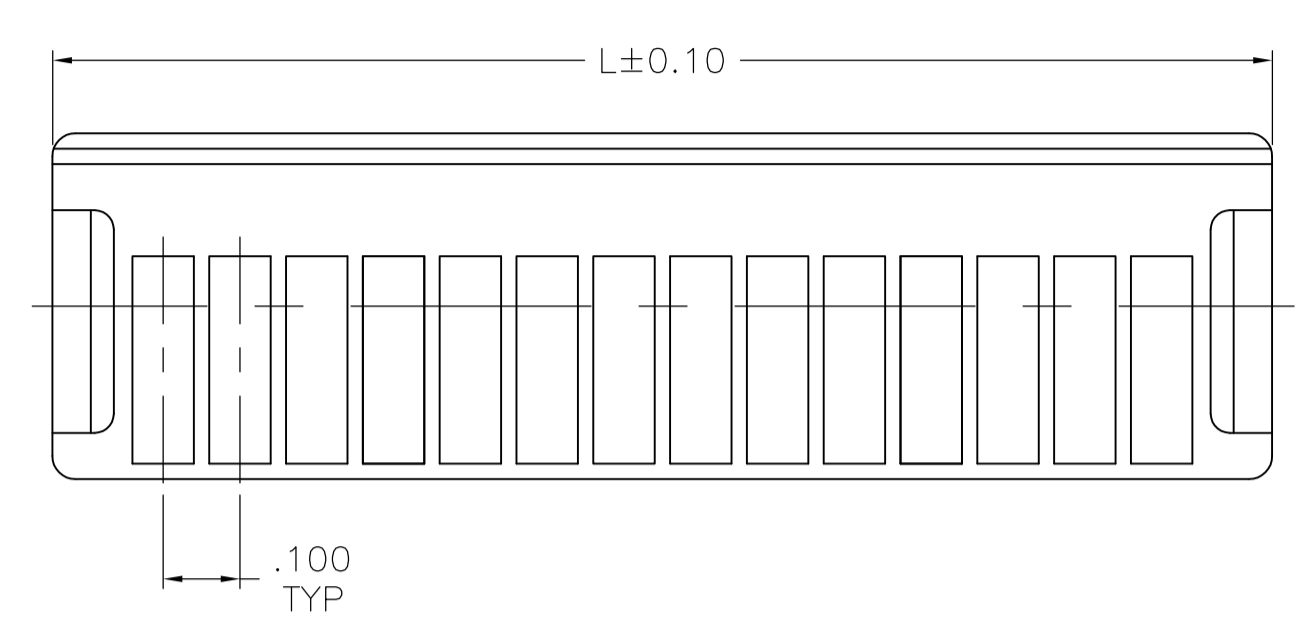
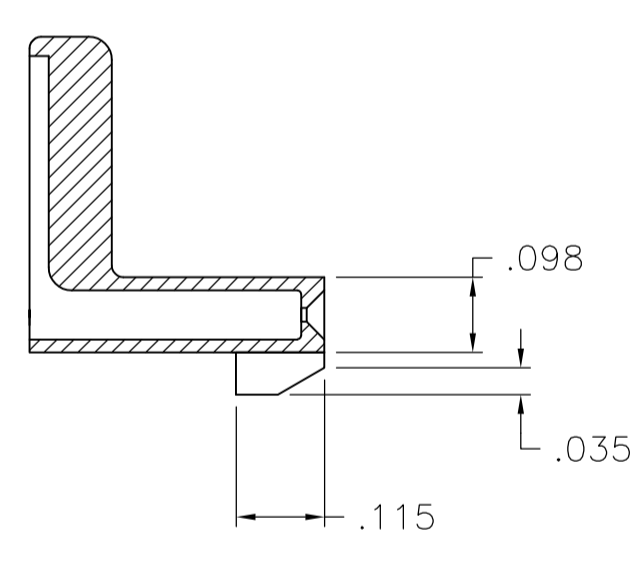
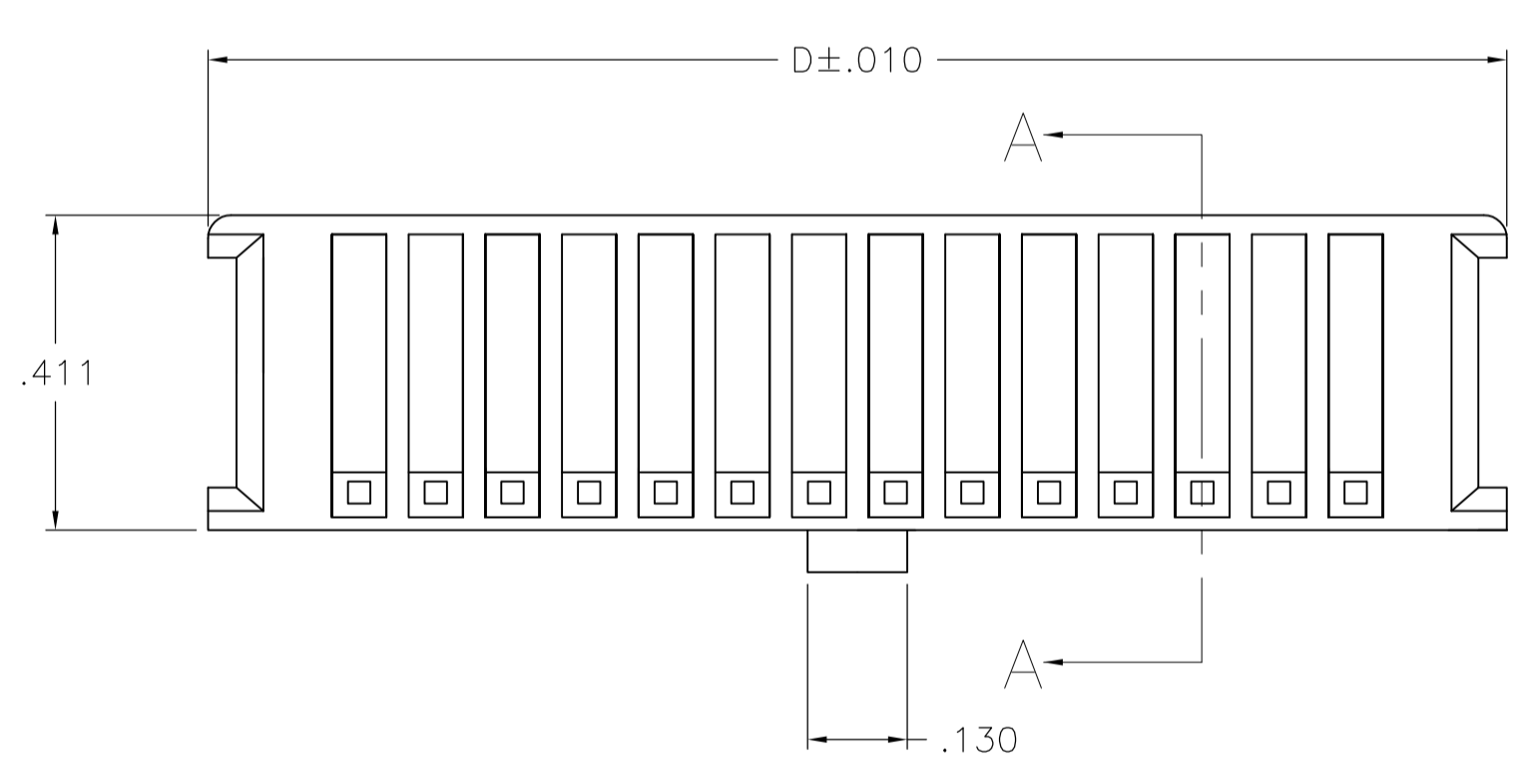


LOC		DIST		REVISIONS			
P	LTR	DESCRIPTION	DATE	DN	APVD		
B		REDRAWN PER ECO-08-013517	20JUN08	JDP	CWR		

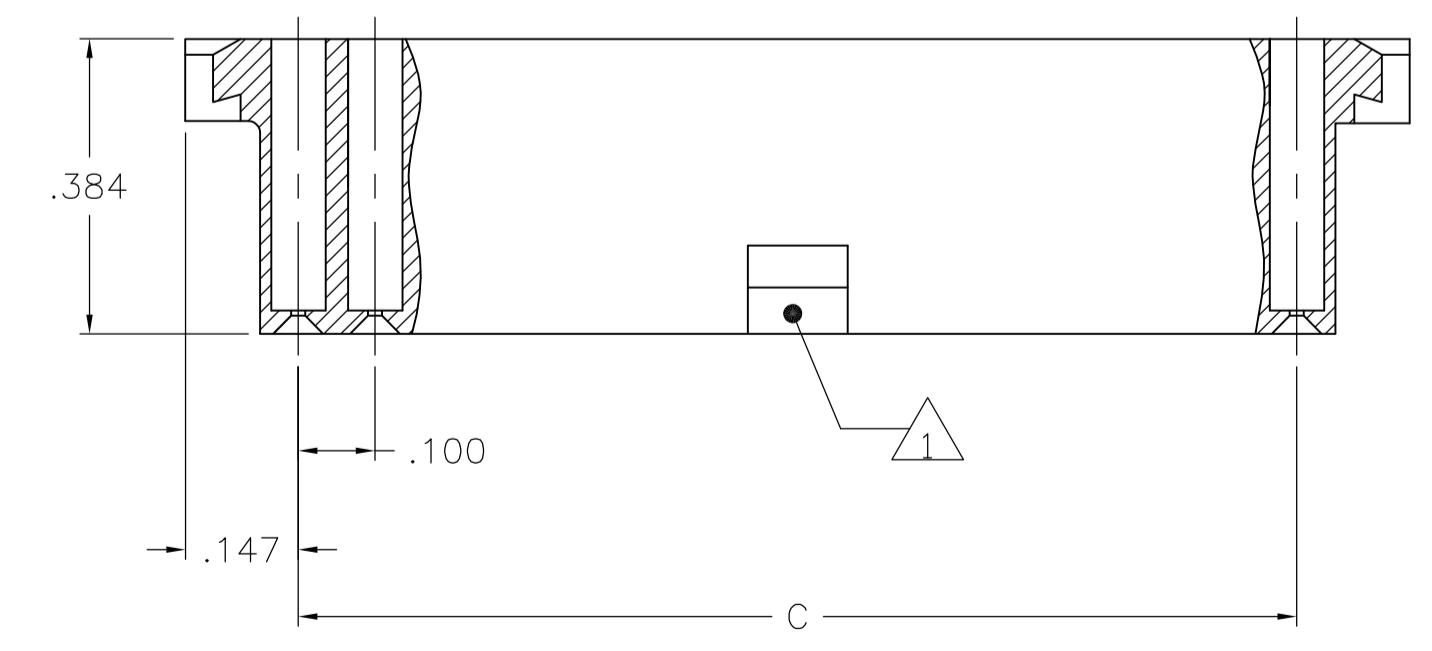
- 1. OPTIONAL POLARIZER.
- 2. MATERIAL: THERMOPLASTIC, UL 94-V0.
- 3. FINISH: BLUE.
- 4. PART NUMBER INCLUDES COVER AND HOUSING.
- 5. HOUSING ACCEPTS A FLEXSTRIP JUMPER END OR THE TERMINATED END OF THE FFC CABLE. HOUSING AND CABLE END ARE SECURED BY THE COVER.



COVER



SECTION A-A



HOUSING

3.388	3.394	3.100	32	NO	FP-3202S	8-1437251-9
3.288	3.294	3.000	31	NO	FP-3102S	8-1437251-2
3.188	3.194	2.900	30	NO	FP-3002S	7-1437251-8
3.088	3.094	2.800	29	NO	FP-2902S	7-1437251-2
2.988	2.994	2.700	28	NO	FP-2802S	6-1437251-8
2.888	2.894	2.600	27	NO	FP-2702S	6-1437251-0
2.788	2.794	2.500	26	YES	FP-2602SP	5-1437251-6
2.788	2.794	2.500	26	NO	FP-2602S	5-1437251-5
2.688	2.694	2.400	25	YES	FP-2502SP	4-1437251-8
2.688	2.694	2.400	25	NO	FP-2502S	4-1437251-7
2.588	2.594	2.300	24	YES	FP-2402SP	4-1437251-3
2.588	2.594	2.300	24	NO	FP-2402S	4-1437251-2
2.488	2.494	2.200	23	YES	FP-2302SP	3-1437251-5
2.488	2.494	2.200	23	NO	FP-2302S	3-1437251-4
2.388	2.394	2.100	22	YES	FP-2202SP	2-1437251-9
2.388	2.394	2.100	22	NO	FP-2202S	2-1437251-8
2.288	2.294	2.000	21	YES	FP-2102SP	2-1437251-3
2.288	2.294	2.000	21	NO	FP-2102S	2-1437251-2
2.188	2.194	1.900	20	YES	FP-2002SP	1-1437251-8
2.188	2.194	1.900	20	NO	FP-2002S	1-1437251-7
2.088	2.094	1.800	19	YES	FP-1902SP	1-1437251-1
2.088	2.094	1.800	19	NO	FP-1902S	1-1437251-0
1.988	1.994	1.700	18	YES	FP-1802SP	1437251-6
1.988	1.994	1.700	18	NO	FP-1802S	1437251-5
1.888	1.894	1.600	17	YES	FP-1702SP	9-1437250-7
1.888	1.894	1.600	17	NO	FP-1702S	9-1437250-6
1.788	1.794	1.500	16	YES	FP-1602SP	9-1437250-2
1.788	1.794	1.500	16	NO	FP-1602S	9-1437250-1
1.688	1.694	1.400	15	YES	FP-1502SP	8-1437250-4
1.688	1.694	1.400	15	NO	FP-1502S	8-1437250-3
1.588	1.594	1.300	14	YES	FP-1402SP	7-1437250-9
1.588	1.594	1.300	14	NO	FP-1402S	7-1437250-8
1.488	1.494	1.200	13	YES	FP-1302SP	7-1437250-1
1.488	1.494	1.200	13	NO	FP-1302S	7-1437250-0
1.388	1.394	1.100	12	YES	FP-1202SP	6-1437250-6
1.388	1.394	1.100	12	NO	FP-1202S	6-1437250-5
1.288	1.294	1.000	11	YES	FP-1102SP	5-1437250-8
1.288	1.294	1.000	11	NO	FP-1102S	5-1437250-7
1.188	1.194	0.900	10	YES	FP-1002SP	5-1437250-3
1.188	1.194	0.900	10	NO	FP-1002S	5-1437250-2
1.088	1.094	0.800	9	YES	FP-0902SP	4-1437250-6
1.088	1.094	0.800	9	NO	FP-0902S	4-1437250-5
0.988	0.994	0.700	8	YES	FP-0802SP	4-1437250-1
0.988	0.994	0.700	8	NO	FP-0802S	4-1437250-0
0.888	0.894	0.600	7	YES	FP-0702SP	3-1437250-3
0.888	0.894	0.600	7	NO	FP-0702S	3-1437250-2
0.788	0.794	0.500	6	YES	FP-0602SP	2-1437250-8
0.788	0.794	0.500	6	NO	FP-0602S	2-1437250-7
0.688	0.694	0.400	5	YES	FP-0502SP	2-1437250-1
0.688	0.694	0.400	5	NO	FP-0502S	2-1437250-0
0.588	0.594	0.300	4	YES	FP-0402SP	1-1437250-6
0.588	0.594	0.300	4	NO	FP-0402S	1-1437250-5
0.488	0.494	0.200	3	NO	FP-0302S	1437250-8
0.388	0.394	0.100	2	NO	FP-0202S	1437250-4

THIS DRAWING IS A CONTROLLED DOCUMENT.

APPROVED: J. POLIGNONE, 20JUN08
 C. ROHDE, 20JUN08
 C. ROHDE, 20JUN08

Tyco Electronics Corporation
 Harrisburg, PA 17105-3608

NAME: FLEXPAC, FEMALE SOCKET CONNECTOR ASSEMBLY, RIGHT ANGLE, SINGLE ROW

SIZE: A1, CAGE CODE: 00779, DRAWING NO: 1437250-4

RESTRICTED TO: CUSTOMER DRAWING

SCALE: 4:1, SHEET: 1 OF 1, REV: B

7-1437250-9
 SHOWN

单击下面可查看定价，库存，交付和生命周期等信息

[>>TE Connectivity\(泰科\)](#)