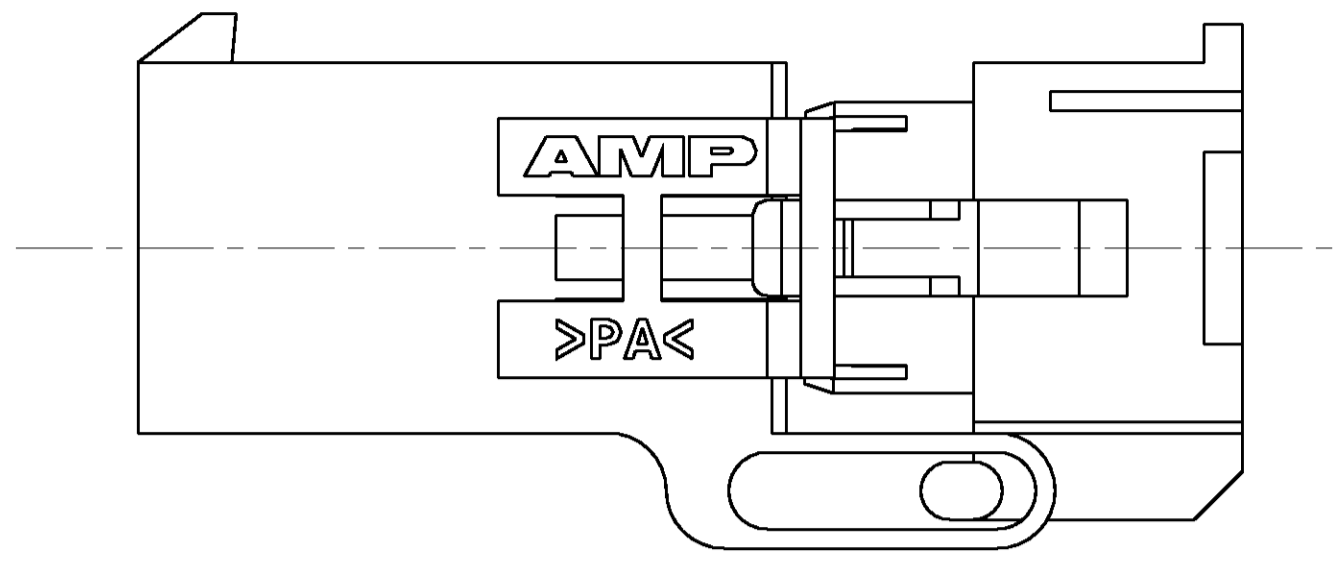
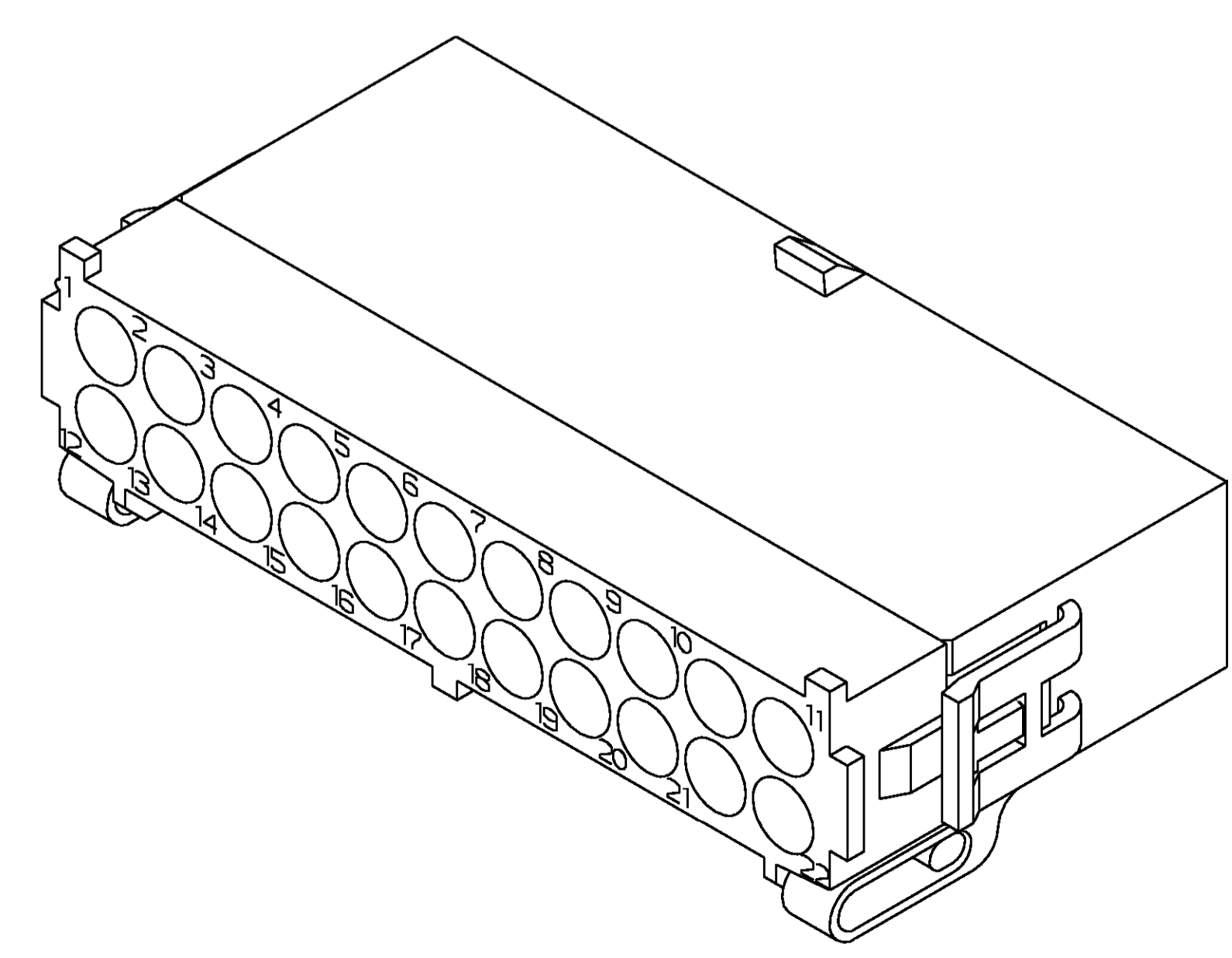
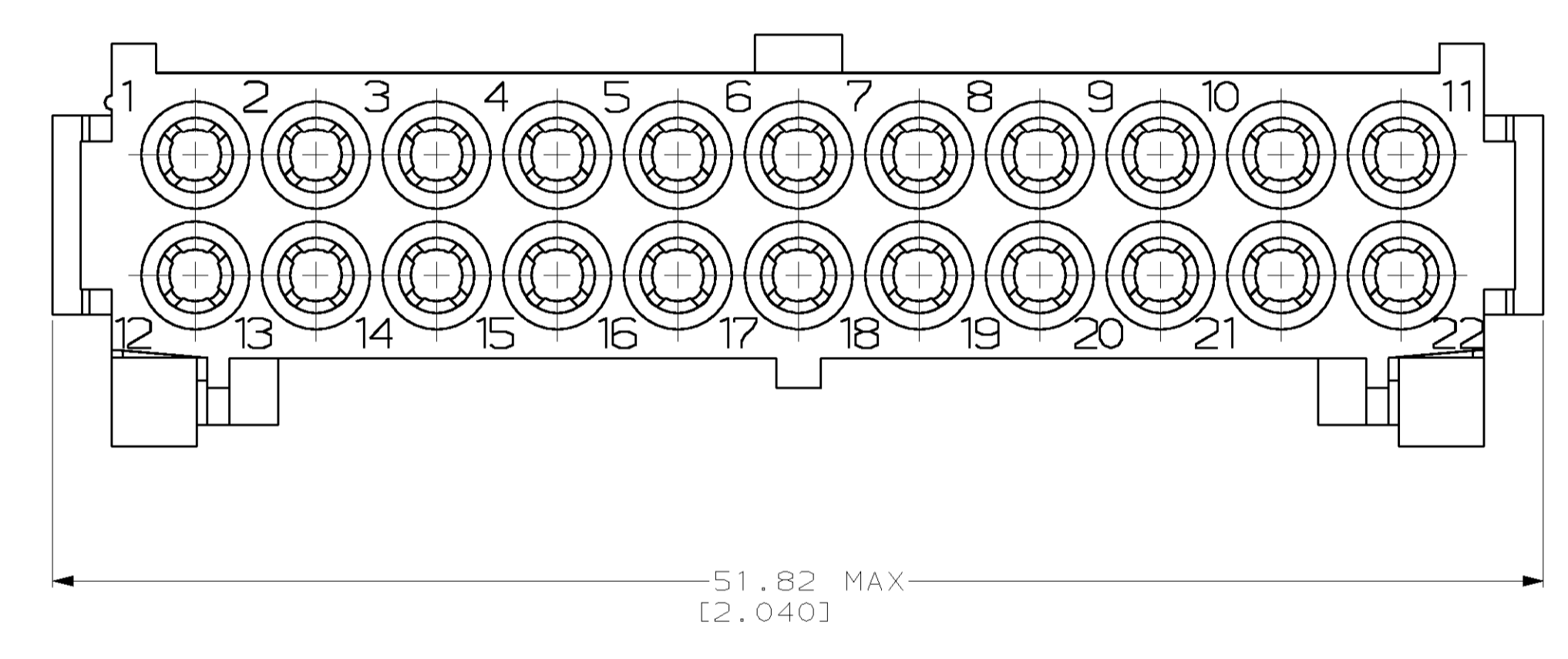
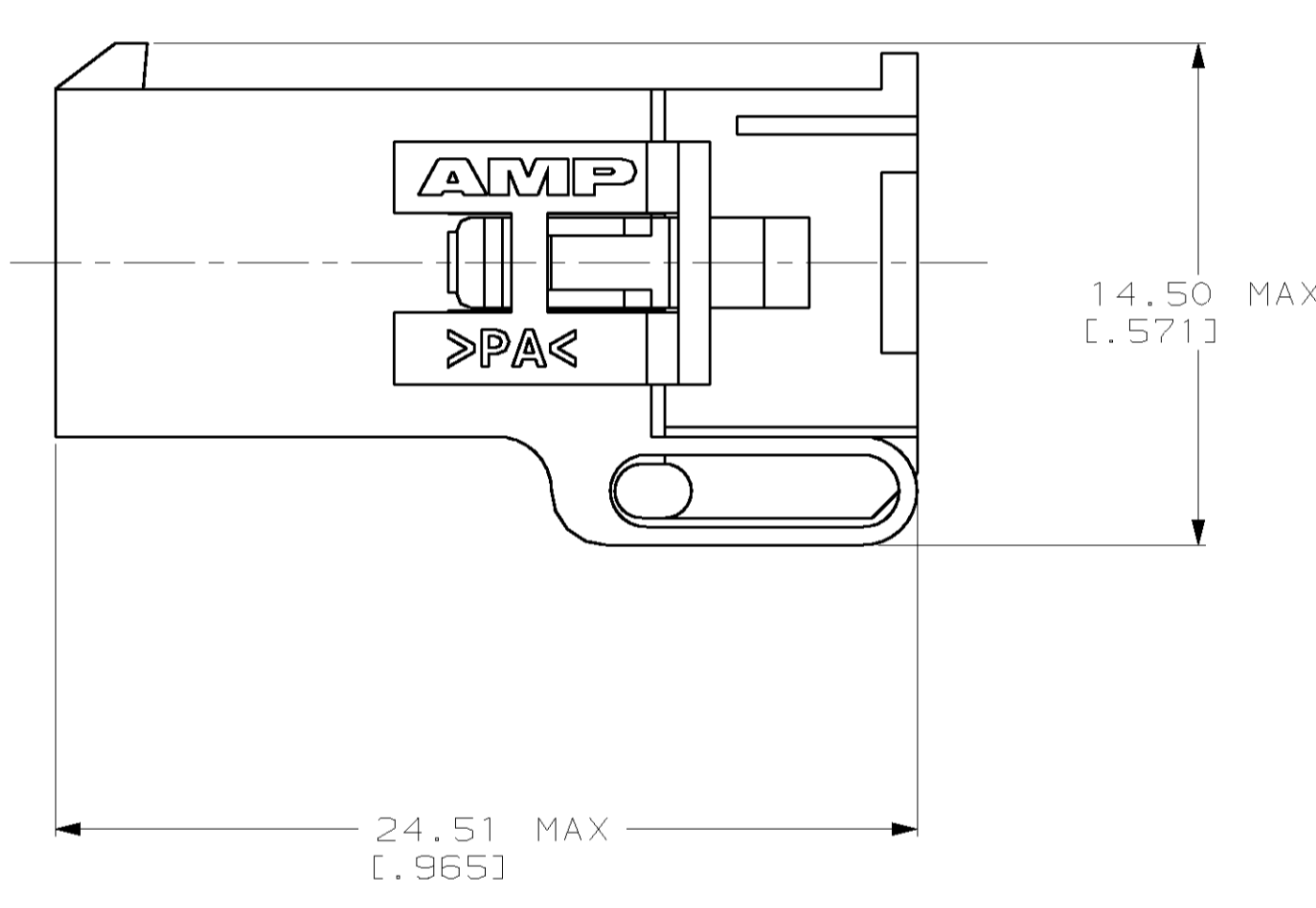
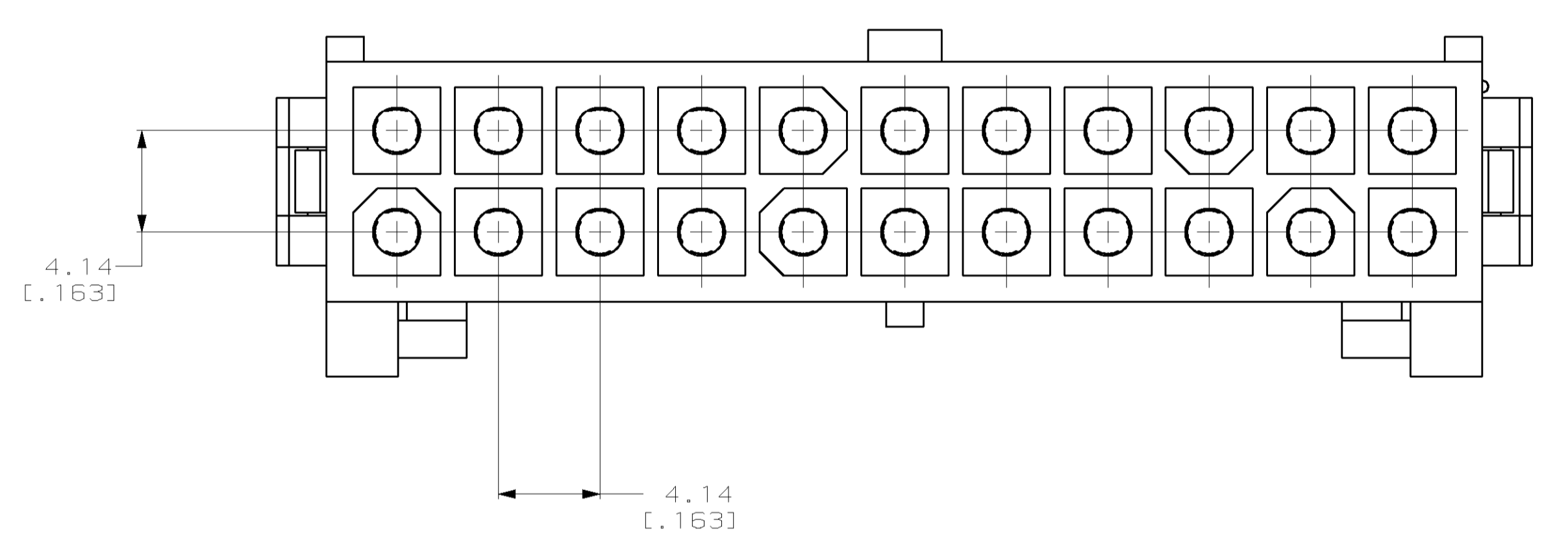


LOC		DIST		REVISIONS						
F	CHR	DATE	BY	APPROV	REV	PER	EC			
CM	53				A	REV PER EC	061B-0094-99	23-SEP-99	KW	KC

1. DIMENSIONS IN BRACKETS ARE IN INCHES.

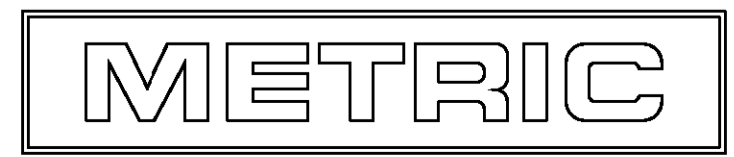


PRE-STAGED CONDITION



3-DIMENSIONAL MODEL  
NTS

794213-1  
PART NUMBER



THIS DRAWING IS A CONTROLLED DOCUMENT.		DWN K. WHITAKER	5-20-97	AMP Incorporated Harrisburg, PA 17105-3608
DIMENSIONS:		CHK R. SWING	5-20-97	
TOLERANCES UNLESS OTHERWISE SPECIFIED:		APPROV S. ORSTAD	5-20-97	
0 PLC ± 1 PLC ± 2 PLC ± 3 PLC ±0.13 (0.005) 4 PLC ± ANGLES ±		NAME	CAP, 22 CIRCUIT, MINI UNIVERSAL MATE-N-LOK™ 2	
MATERIAL NYLON, UL 94V-0, NATURAL	FINISH	PRODUCT SPEC	APPLICATION SPEC	SIZE A1
CUSTOMER DRAWING		WEIGHT	SCALE	5:1
		REVISIONS	SHEET	1 OF 1
		REV	A	

单击下面可查看定价，库存，交付和生命周期等信息

[>>TE Connectivity\(泰科\)](#)