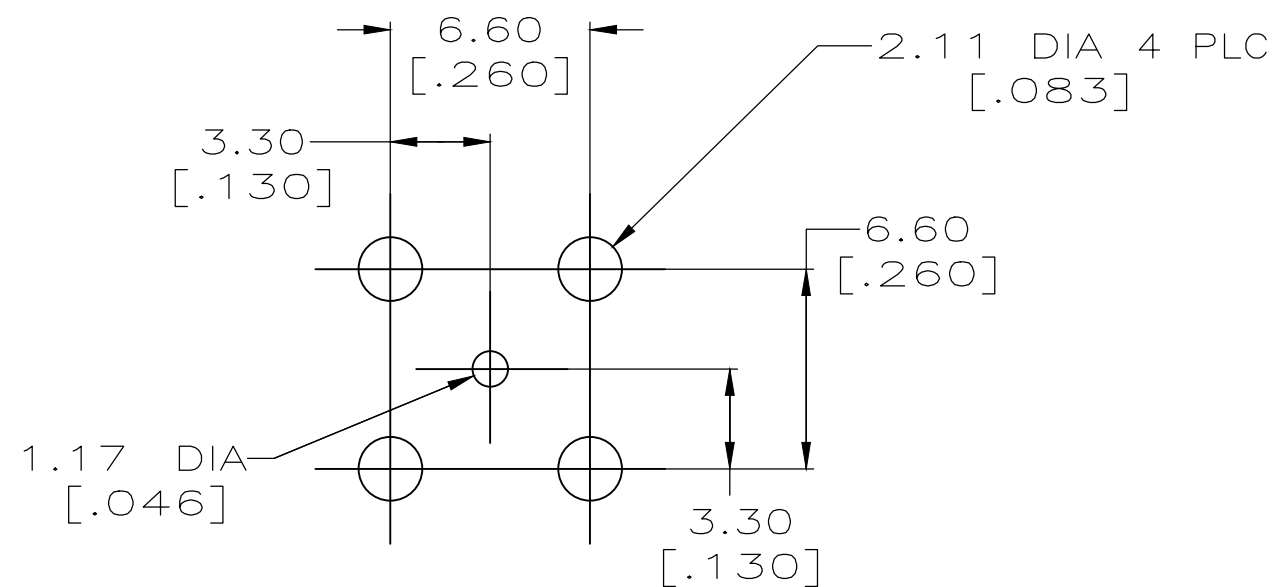
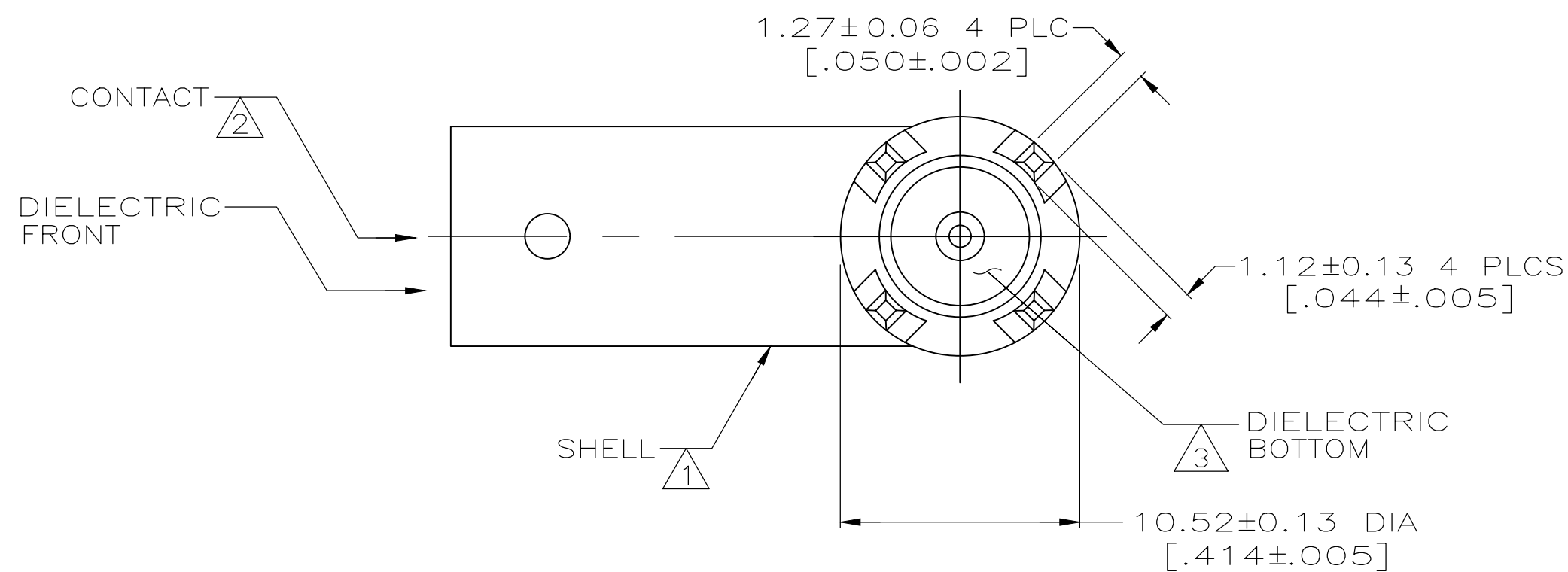
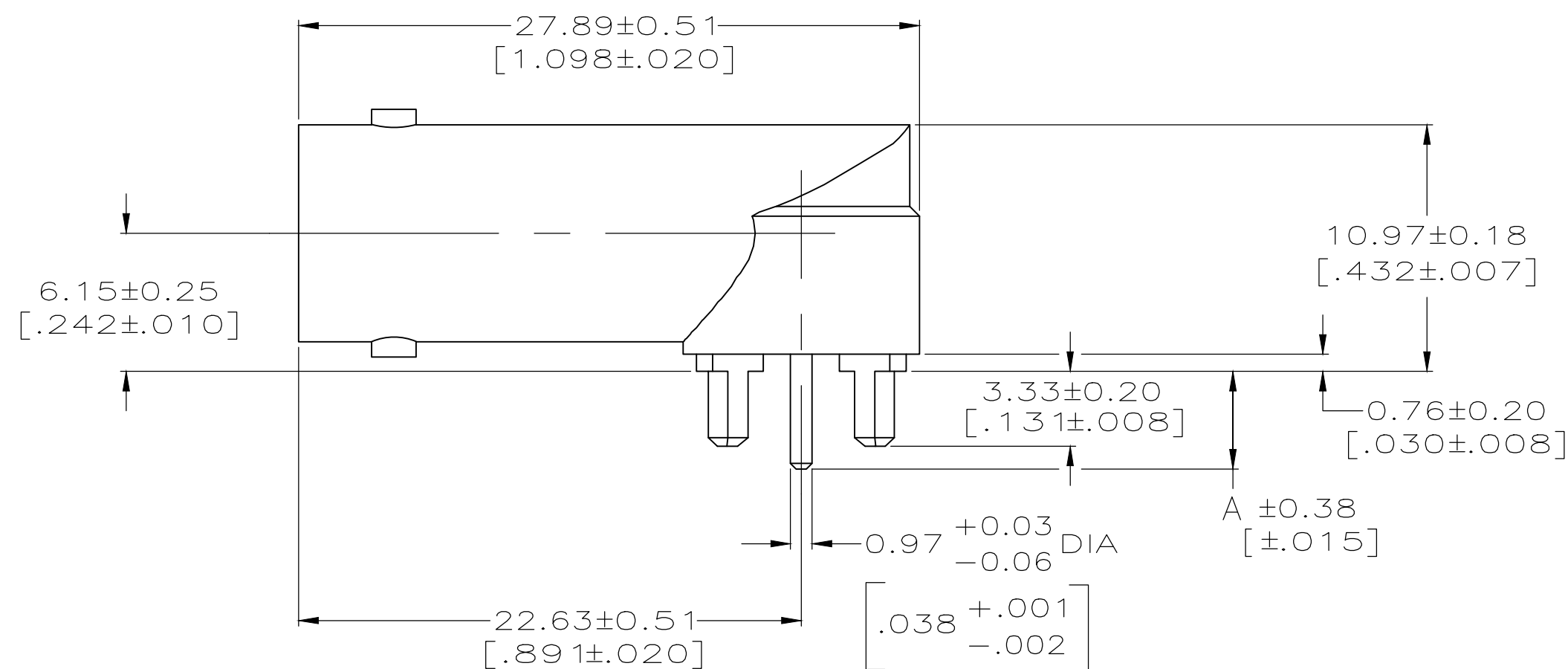


THIS DRAWING IS UNPUBLISHED. RELEASED FOR PUBLICATION
 © COPYRIGHT - By - ALL RIGHTS RESERVED.

REVISIONS				
P	LTR	DESCRIPTION	DATE	APVD
B2		REVISED PER ECO-16-001733	19JAN2020	RZ RS



PCB CONFIGURATION

- 1 ZINC PER ASTM B 86.
- 2 BERYLLIUM COPPER PER ASTM B 196.
- 3 PTFE PER ASTM B 1710.
- 4 NICKEL PLATE PER QQ-N-290, 3.81 μm [.000150] MINIMUM THICK.
- 5 TIN PLATE PER ASTM B 545, 3.04 μm [.000120] MINIMUM THICK, OVER NICKEL PLATE PER MIL-C-26074, 7.62 μm [.000300] MINIMUM THICK.
- 6 GOLD PLATE PER ASTM B 488, 1.27 μm [.000050] MINIMUM THICK.
- 7. INTERFACE PER MIL-C-39012.
- 8 GOLD PLATE PER ASTM B 488, 0.20 μm [.000008] MINIMUM THICK.
- 9 POLYMETHYLPENTENE: GENERAL PURPOSE.

9	4.34 [.171]	8	4	5413558-5
9	3.33 [.131]	6	4	5413558-3
3	4.34 [.171]	6	5	5413558-2
9	4.34 [.171]	6	4	5413558-1
FRONT DIELECTRIC MATERIAL	A	CONTACT FINISH	SHELL FINISH	PART NUMBER

THIS DRAWING IS A CONTROLLED DOCUMENT.		DWN	22APR2005	 TE Connectivity
		CHK	L. VARELA - DOCK5 22APR2005	
		APVD	J. HAVENER 22APR2005	
		APVD	J. LIPPERT 22APR2005	
DIMENSIONS:	TOLERANCES UNLESS OTHERWISE SPECIFIED:	PRODUCT SPEC	NAME	
mm [INCHES]	0 PLC ± - 1 PLC ± - 2 PLC ± 0.08 [.003] 3 PLC ± - 4 PLC ± - ANGLES ± -	108-12078	JACK, RIGHT ANGLE, PCB, 75 OHM, SERIES BNC	
MATERIAL	FINISH	APPLICATION SPEC	SIZE	CAGE CODE
SEE NOTES 1-3	SEE NOTES 4-6, 8-9	-	A2	00779
		WEIGHT	DRAWING NO	RESTRICTED TO
		0.000000	C=5413558	-
CUSTOMER DRAWING			SCALE	SHEET
			4:1	1 OF 1
			REV	B2

单击下面可查看定价，库存，交付和生命周期等信息

[>>TE Connectivity\(泰科\)](#)