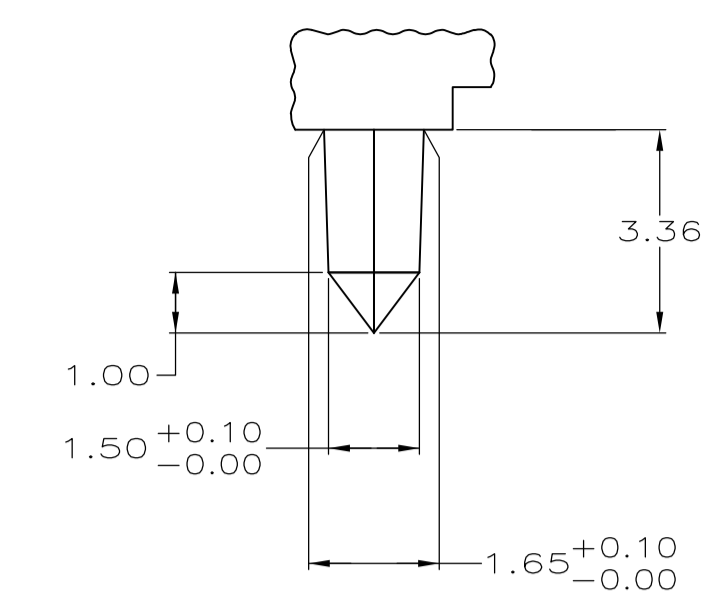
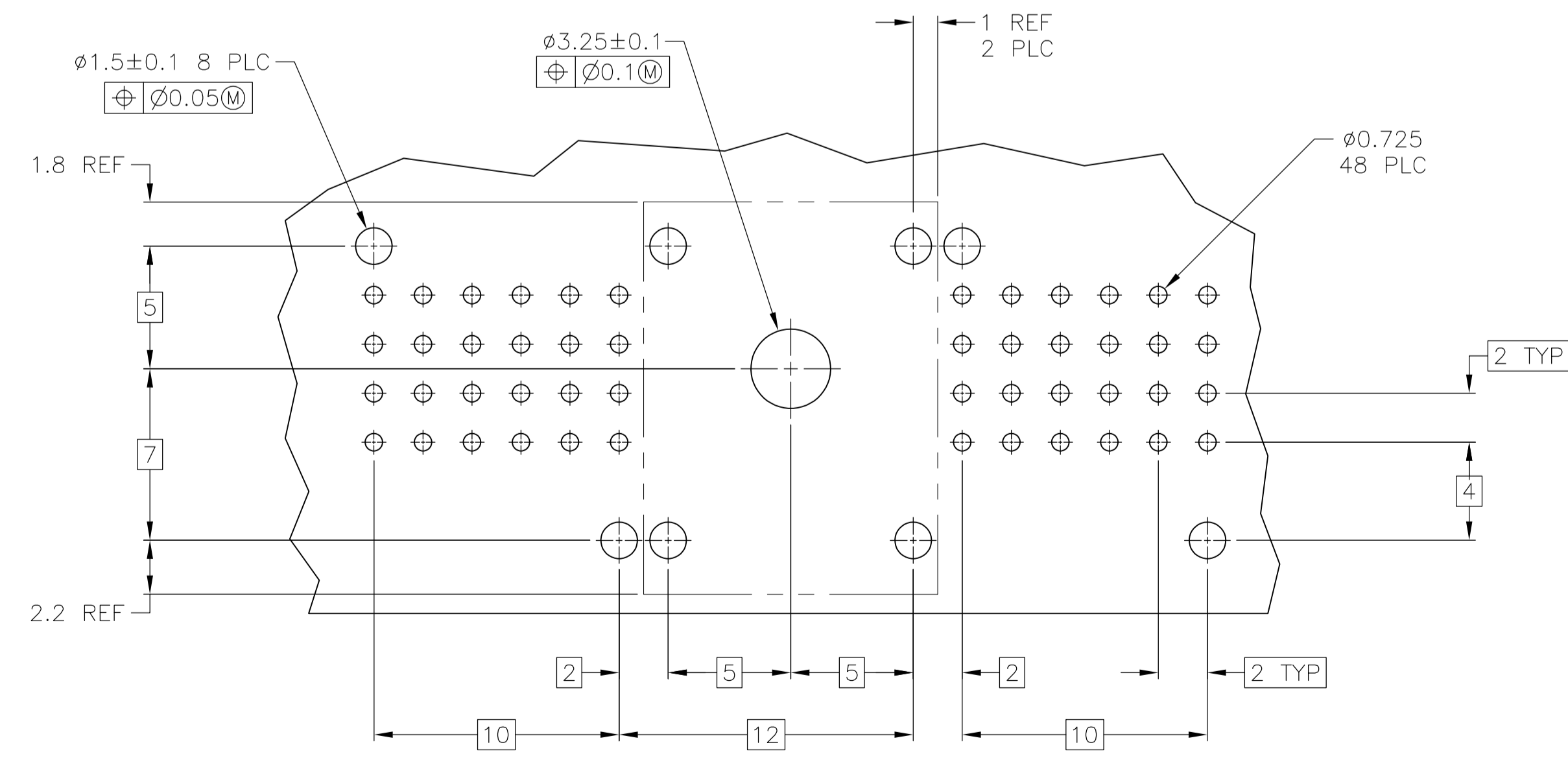
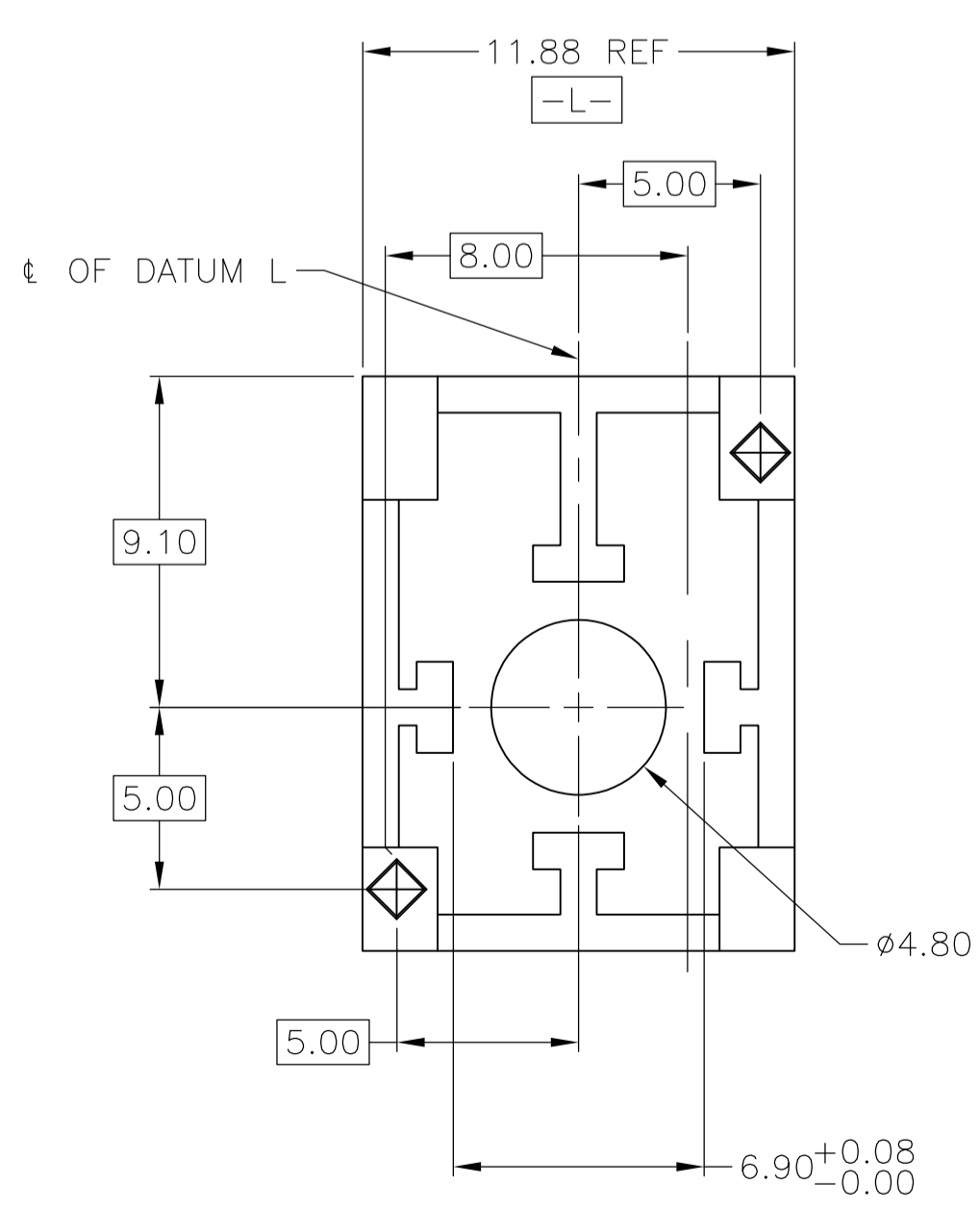
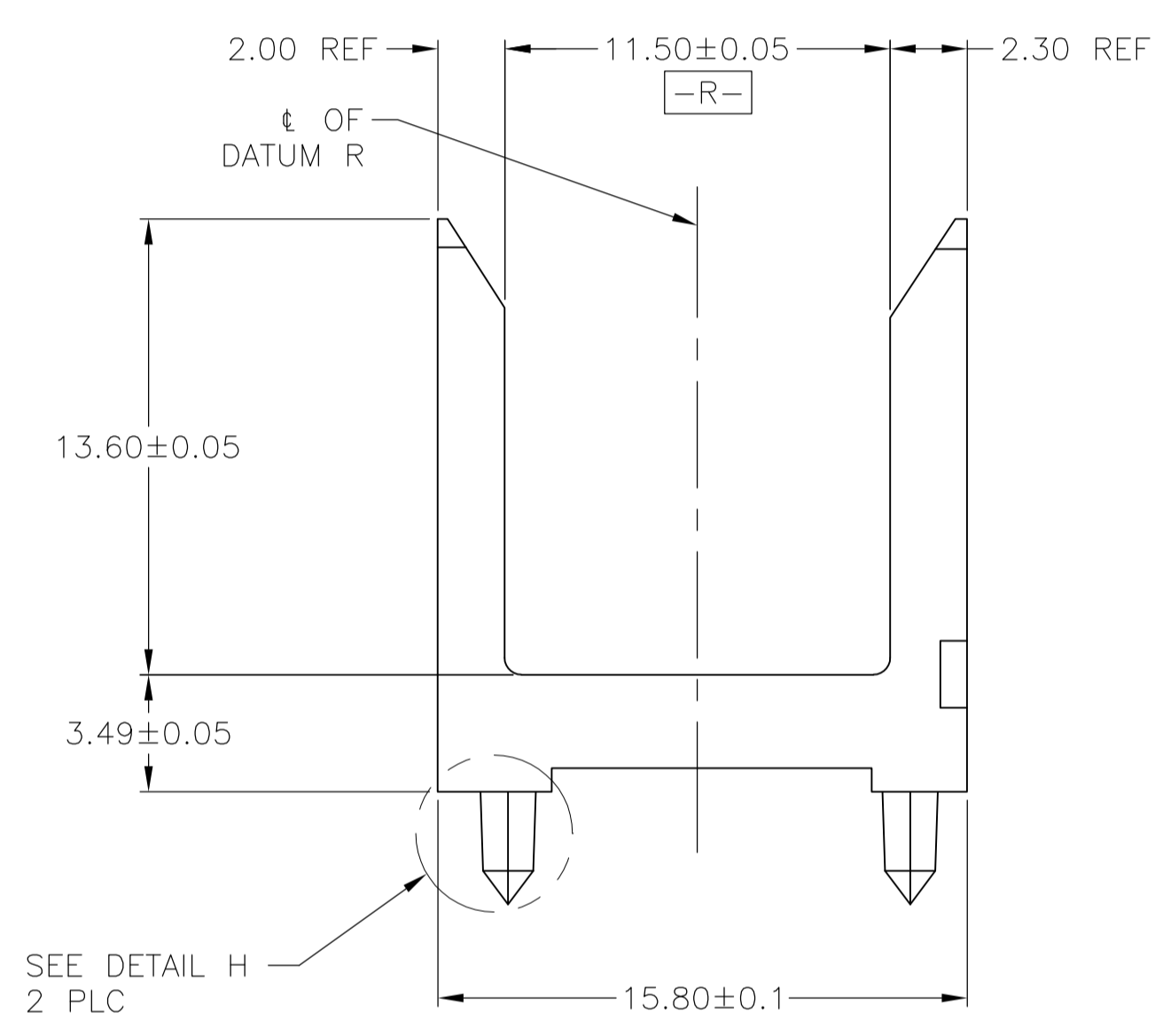
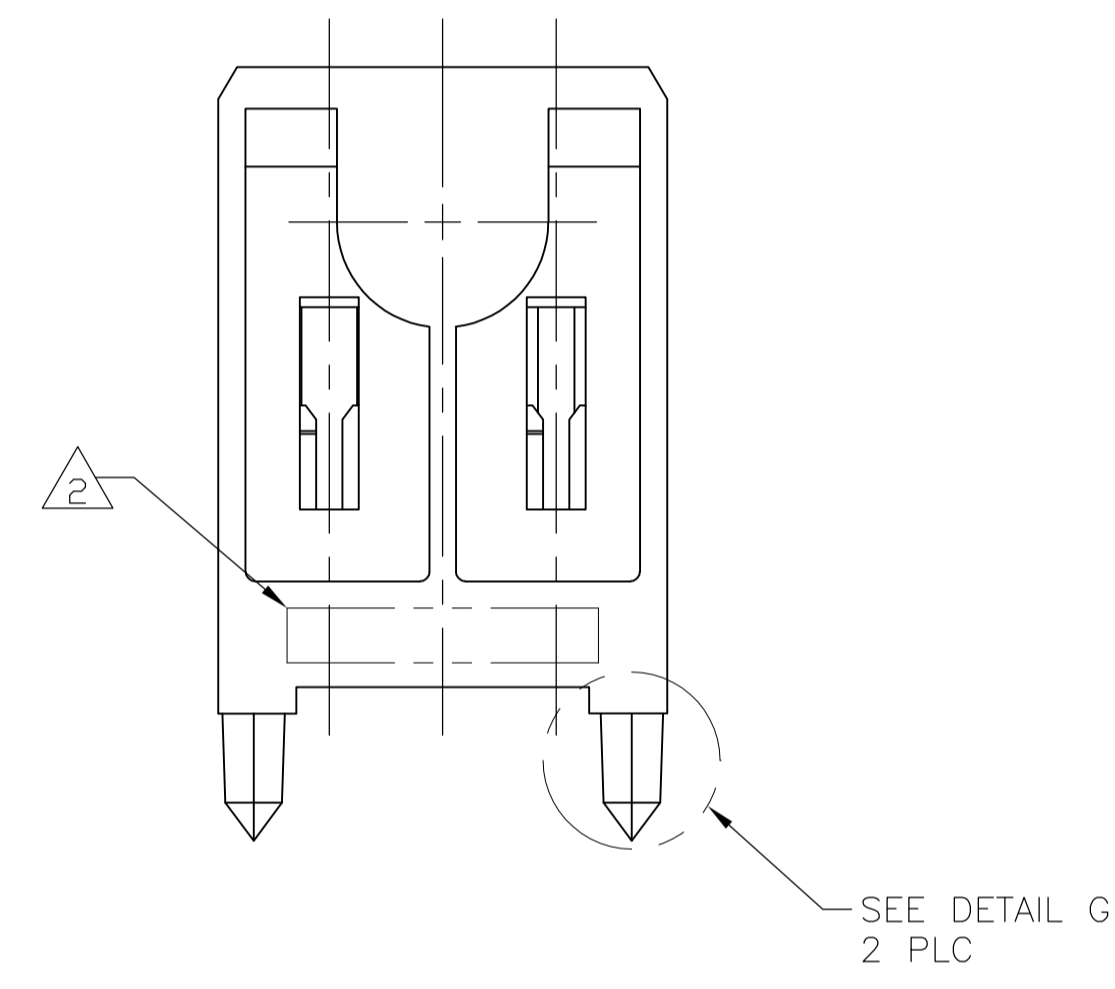


DETAIL G  
SCALE 10:1



DETAIL H  
SCALE 10:1

- 1 MATERIAL: LIQUID CRYSTAL POLYMER, UL 94-V0 RATED, NATURAL.
- 2 PART MARKING PER AMP SPEC 115-9009, LOCATED APPROXIMATELY AS SHOWN.



RECOMMENDED PCB LAYOUT

223754-1  
PART NUMBER

THIS DRAWING IS A CONTROLLED DOCUMENT.		DIN J. POLIGNONE 18FEB05		Tyco Electronics Corporation Harrisburg, PA, 17105-3608	
DIMENSIONS: MM		CIK N. NORRIS 16DEC02		NAME N. NORRIS 16DEC02	PRODUCT SPEC
TOLERANCES UNLESS OTHERWISE SPECIFIED:		APVD N. NORRIS 16DEC02		APPLICATION SPEC	
0 PLC ± - 1 PLC ± - 2 PLC ± 0.13 3 PLC ± - 4 PLC ± - ANGLES ± 1°		SIZE A1	CAGE CODE 00779	DRAWING NO. C=223754	RESTRICTED TO
MATERIAL 1		FINISH -	WEIGHT -	CUSTOMER DRAWING	SCALE 5:1 SHEET 1 OF 1 REV 01

单击下面可查看定价，库存，交付和生命周期等信息

[>>TE Connectivity\(泰科\)](#)