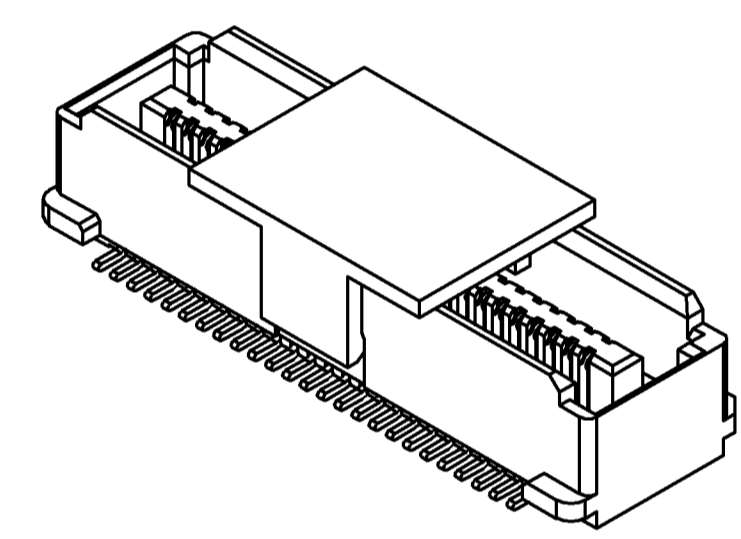
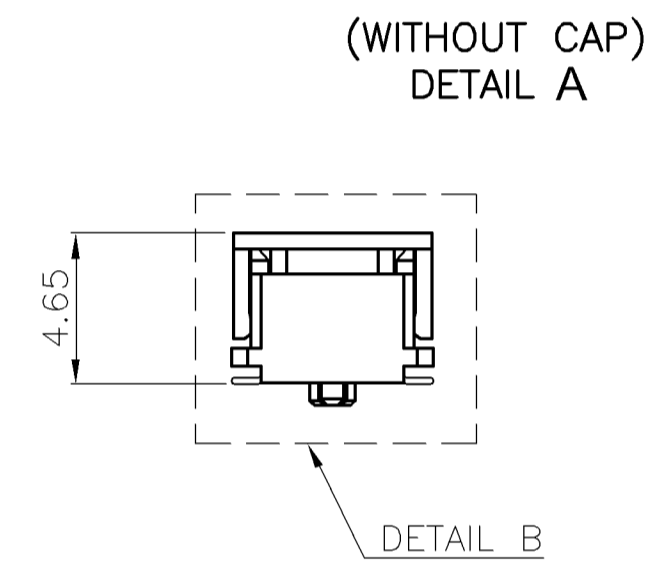
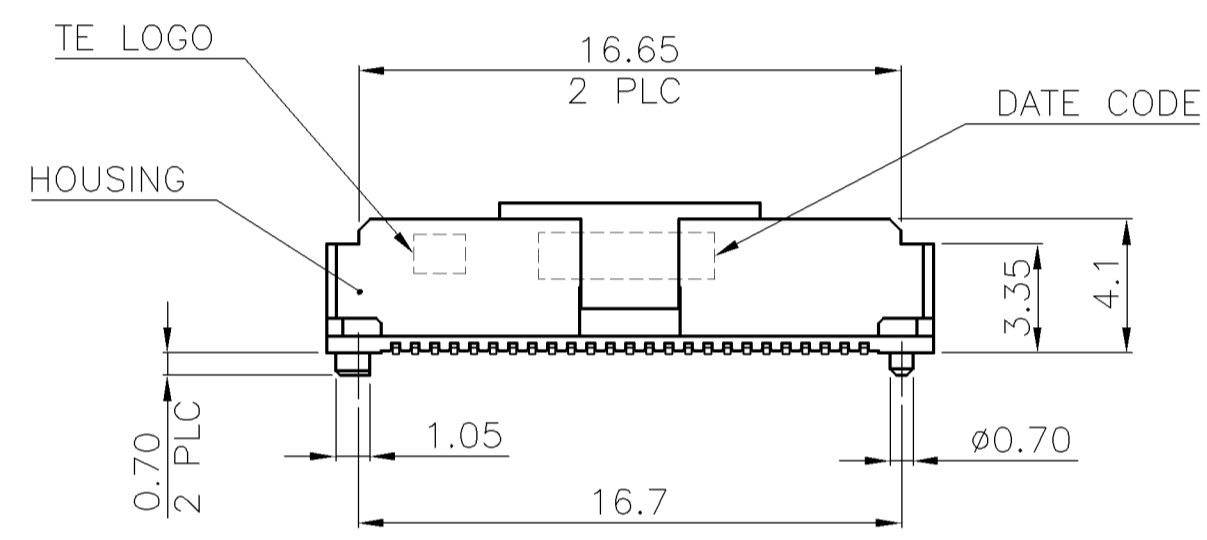
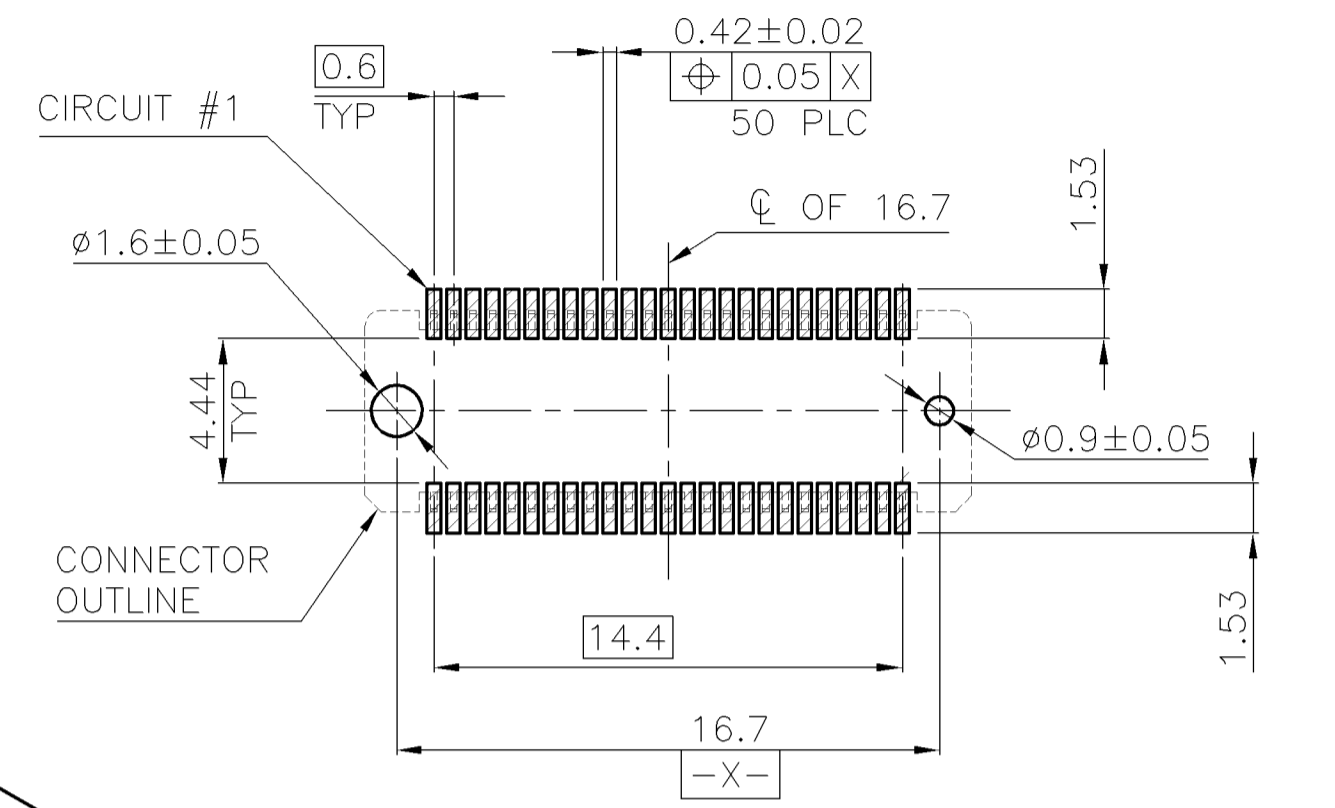
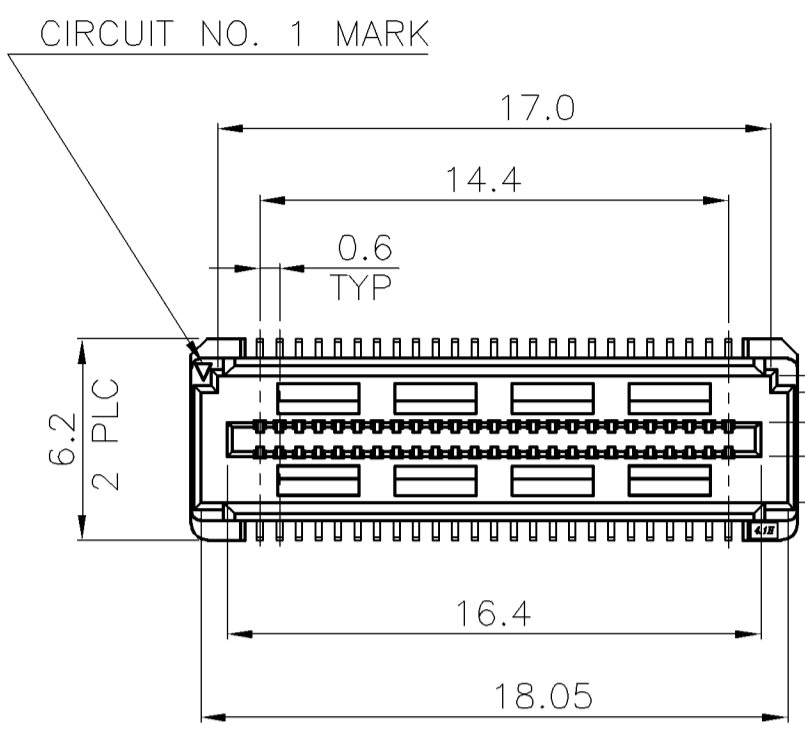
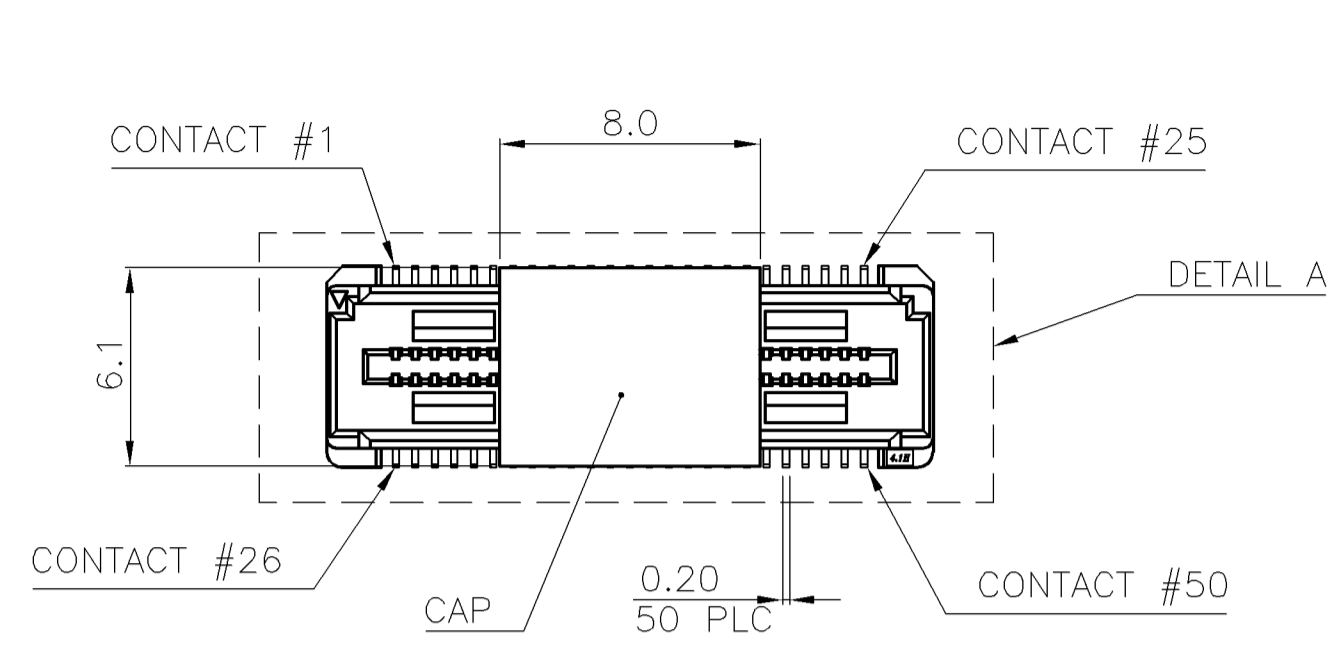
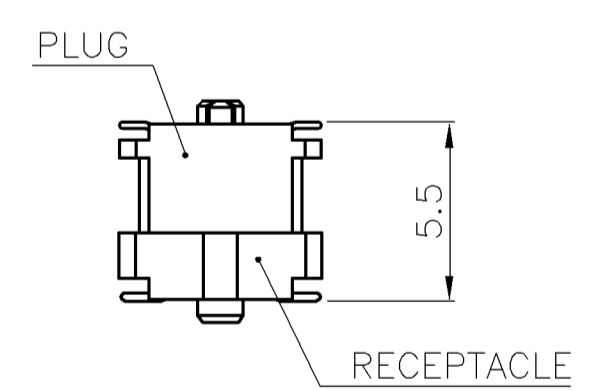
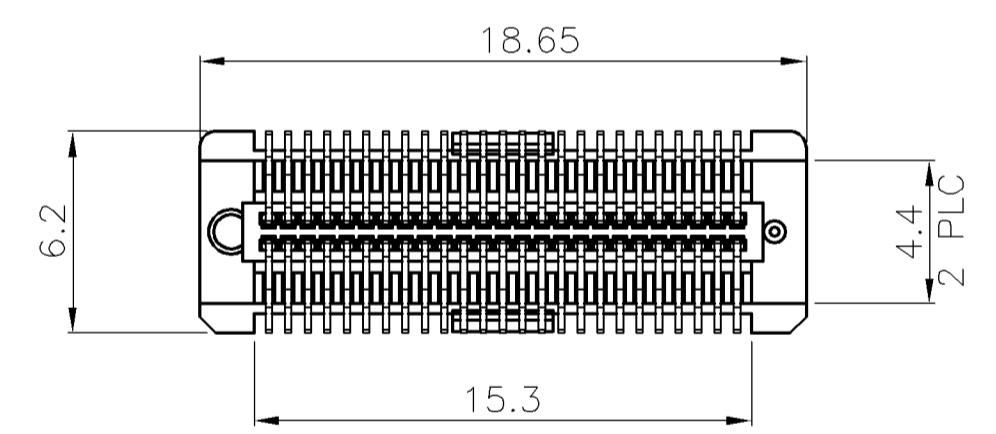


THIS DRAWING IS UNPUBLISHED. RELEASED FOR PUBLICATION
 © COPYRIGHT BY TYCO ELECTRONICS CORPORATION. ALL RIGHTS RESERVED.

LOC		DIST		REVISIONS					
DW		-		P	LTR	DESCRIPTION	DATE	DWN	APVD
				C		ECR-09-010047	04MAY09	AW	WK



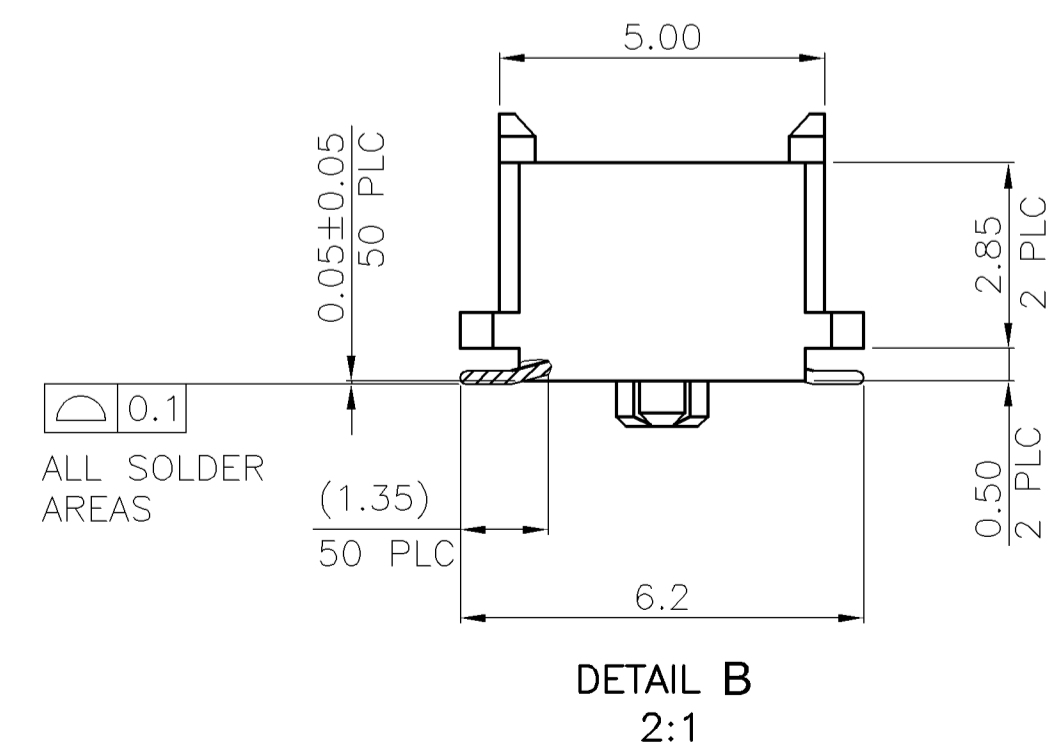
TOLERANCE: ±0.05
 RECOMMENDED PCB LAYOUT
 (TOP VIEW)



MATING HEIGHT

NOTES:

- MATERIAL:
 HOUSING: LCP WITH 35% GF, UL 94V-0, NATURAL COLOR.
 CAP: LCP WITH 35% GF, UL 94V-0, NATURAL COLOR.
 CONTACTS: PHOSPHOR BRONZE.
- FINISH:
 CONTACTS: GOLD FLASH PLATED ON CONTACT AREA, 3.05µm [120µ"] MIN. MATTE-TIN ON SOLDER TAIL, WITH ENTIRE CONTACT UNDERPLATED 1.27µm [50µ"] MIN. NICKEL.
- REFLOW SOLDER CAPABLE TO 260°C PER TEC-109-201, CONDITION B.
- MATING RECEPTACLE PART NUMBER: 1759899-1.

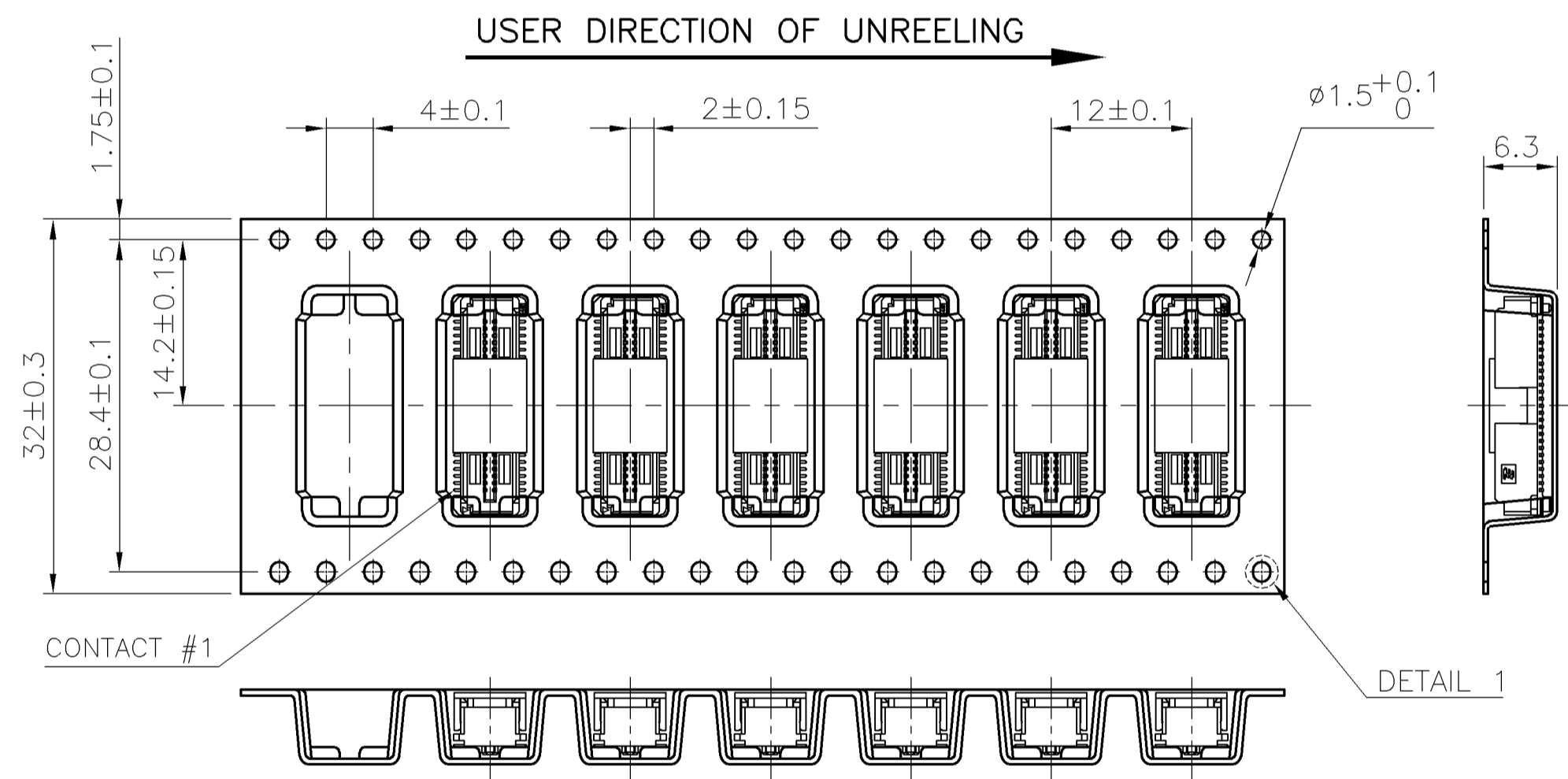
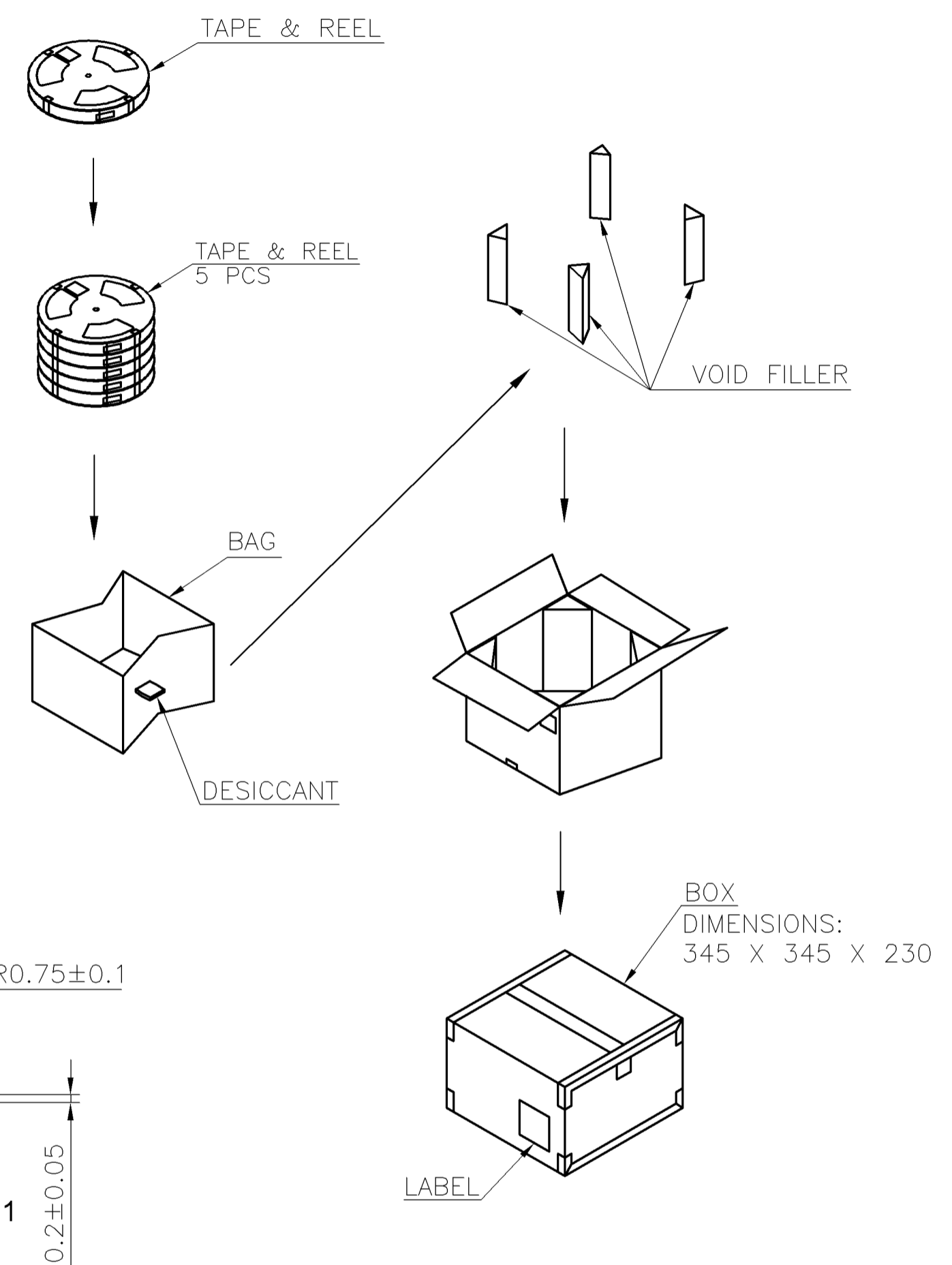
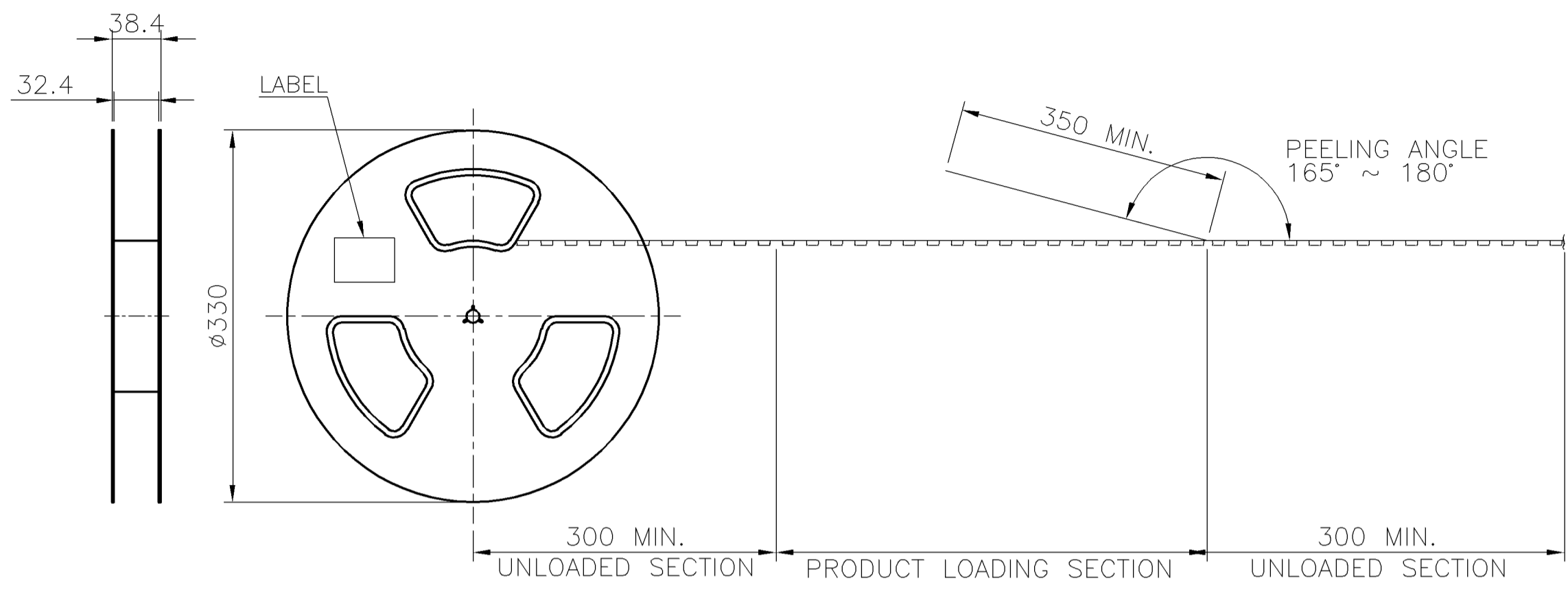


1759898-1
PART NUMBER

THIS DRAWING IS A CONTROLLED DOCUMENT.		DWN A. WU 04MAY2009	Tyco Electronics Corporation Taipei, Taiwan	
DIMENSIONS: MM		CHK S. CHIEN 04MAY2009	NAME	
TOLERANCES UNLESS OTHERWISE SPECIFIED:		APVD W. KODAMA 04MAY2009	0.6 MM PITCH BOARD TO BOARD CONNECTOR, 50 POSITION, PLUG, MATING HEIGHT 5.5 MM.	
0 PLC ± 0.5 1 PLC ± 0.3 2 PLC ± 0.2 3 PLC ± 0.15 4 PLC ± - ANGLES ± 3°		PRODUCT SPEC 108-57761	SIZE	CAGE CODE
MATERIAL SEE NOTE		APPLICATION SPEC -	A3	00779
FINISH SEE NOTE		WEIGHT 0.450 GRAMS	DRAWING NO C=1759898	
CUSTOMER DRAWING		SCALE -		SHEET 1 OF 2
		RESTRICTED TO -		REV C

THIS DRAWING IS UNPUBLISHED. RELEASED FOR PUBLICATION
 © COPYRIGHT BY TYCO ELECTRONICS CORPORATION. ALL RIGHTS RESERVED.

LOC	DIST	REVISIONS					
DW	—	P	LTR	DESCRIPTION	DATE	DWN	APVD
				SEE SHEET 1.			



- NOTES:
- MATERIAL:
 BOX: FIBREBOARD, CORRUGATED, DOUBLE WALL.
 COVER TAPE: POLYSTYRENES, 120°C HEAT-RESISTANT TEMPERATURE, TRANSPARENT COLOR.
 CARRIER TAPE: POLYSTYRENES, 120°C HEAT-RESISTANT TEMPERATURE, TRANSPARENT COLOR.
 REEL: HIPS, 70°C HEAT-RESISTANT TEMPERATURE, BLUE COLOR.
 BAG: POLYETHYLENES, 100°C HEAT-RESISTANT TEMPERATURE, TRANSPARENT COLOR.
 - EACH BAG SHALL BE INCLUDED DESICCANT.
 - PEELING STRENGTH: 0.1 ~ 1.3 N (10 ~ 130 GRAMS).
 - PEELING SPEED: 300 mm/min.

1000	5	5000 PCS	4.7 KG	2.25 KG
PCS/TAPE	REELS/BOX	QUANTITY	GROSS WEIGHT	NET WEIGHT

THIS DRAWING IS A CONTROLLED DOCUMENT.		DWN A. WU 04MAY2009	Tyco Electronics Corporation Taipei, Taiwan	
DIMENSIONS: MM		CHK S. CHIEN 04MAY2009	NAME 0.6 MM PITCH BOARD TO BOARD CONNECTOR, 50 POSITION, PLUG, MATING HEIGHT 5.5 MM.	
TOLERANCES UNLESS OTHERWISE SPECIFIED:		APVD W. KODAMA 04MAY2009	SIZE A3	
0 PLC ± -		PRODUCT SPEC	CAGE CODE 00779	DRAWING NO C=1759898
1 PLC ± -		APPLICATION SPEC	RESTRICTED TO	
2 PLC ± -		WEIGHT	—	
3 PLC ± -		CUSTOMER DRAWING	SCALE	SHEET 2 OF 2
4 PLC ± -			REV	C
ANGLES ± -				
FINISH				

单击下面可查看定价，库存，交付和生命周期等信息

[>>TE Connectivity\(泰科\)](#)