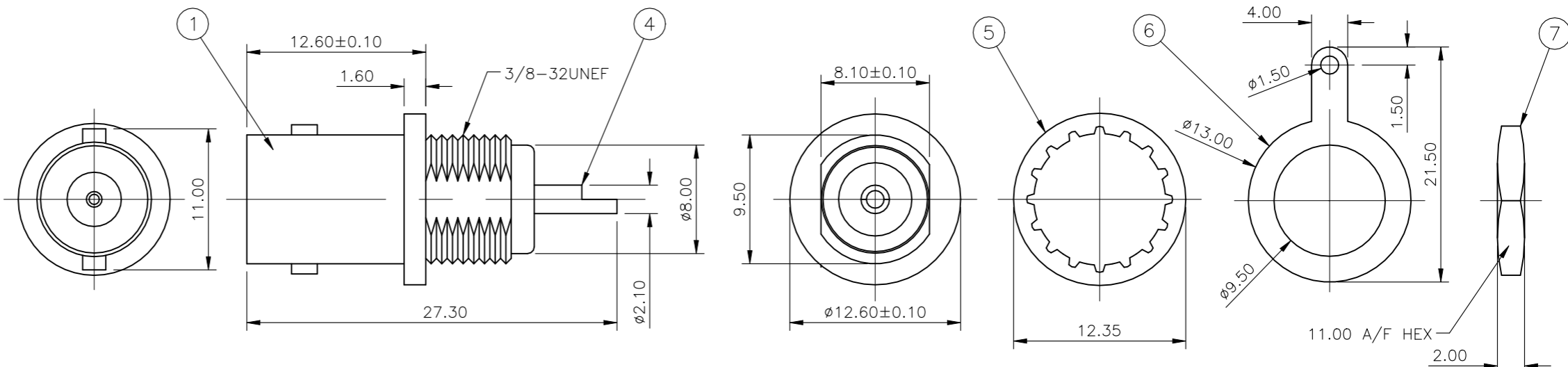


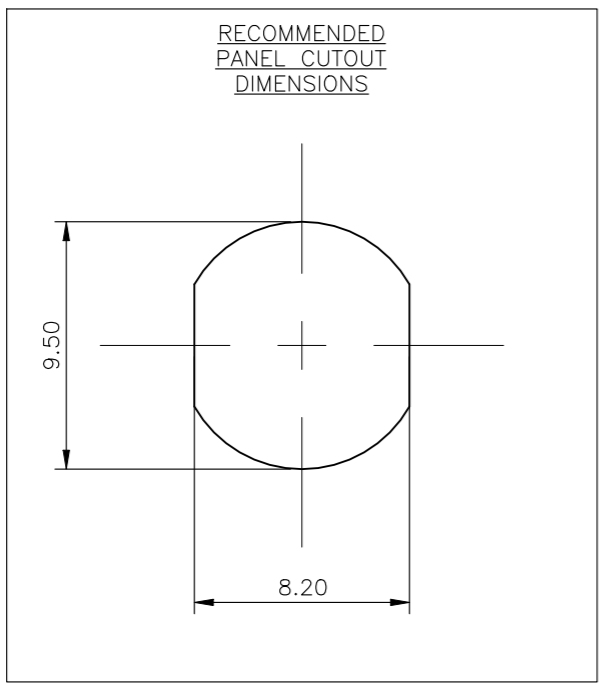
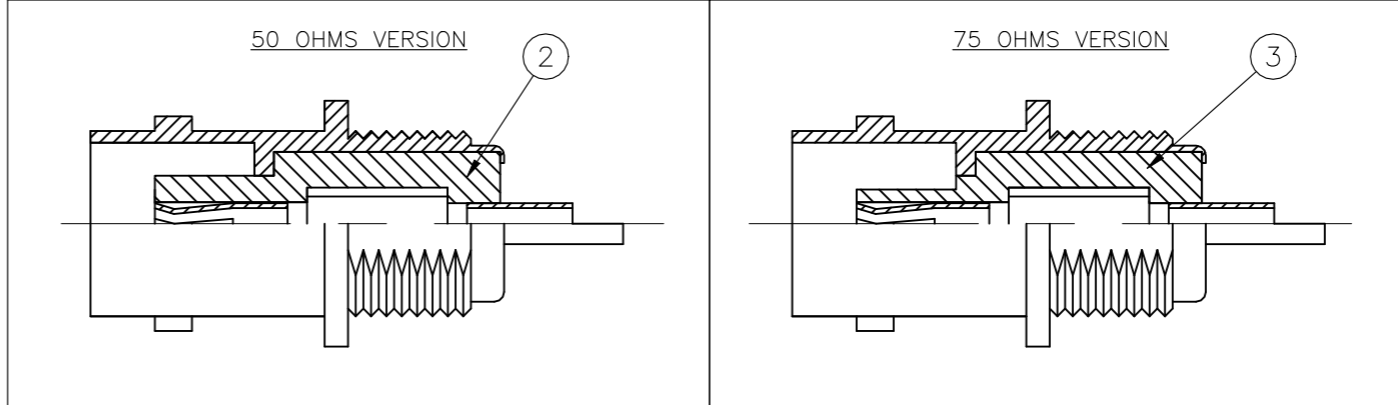
REVISIONS

P	LTR	DESCRIPTION	DATE	DWN	APVD
	C1	REVISED PER ECN-21-105640	09JUN2021	RZ	WK



NOTES

- 1 100 TRAY PACK IN ACCORDANCE WITH AMP SPEC 107-3275
- 2 SINGLE PACK IN ACCORDANCE WITH AMP SPEC 107-3275
- 3 Au PLATING OVER Ni PLATING OVER Cu PLATING
- 4 Ni PLATING OVER Cu PLATING
- 5. FOR TECHNICAL DATA REFER TO YOUR LOCAL TE CONNECTIVITY SALES OFFICE
- 6. ALL DIMENSIONS ARE NOMINAL FOR REFERENCE ONLY UNLESS OTHERWISE STATED



				Obsolete	Obsolete	Obsolete					
				1	1	1	1	BRASS	△	HEX NUT	7
				1	1	1	1	STEEL	△	SOLDER TAG	6
				1	1	1	1	STEEL	△	LOCK WASHER	5
				1	1	1	1	PHOS BRONZE	△	CONTACT	4
				1	1	-	-	POLYMETHYLPENTENE		INSULATOR	3
				-	-	1	1	POLYMETHYLPENTENE		INSULATOR	2
				1	1	-	-	ZINC ALLOY	△	BODY	1
				5--3	5--2	5--1	5--0	MATERIAL		DESCRIPTION	ITEM
				△	△	△	△	QUANTITY PER ASSY			
				PARTS LIST							

THIS DRAWING IS A CONTROLLED DOCUMENT.

DIMENSIONS: mm	TOLERANCES UNLESS OTHERWISE SPECIFIED:	DWN RITA ZUO 14 Feb 09	TE Connectivity BNC BULKHEAD SOCKET FRONT MOUNT WITH SOLDER TAG	
		CHK ANSON MA 14 Feb 09		
		APVD BOB ZHAO 14 Feb 09		
		PRODUCT SPEC 108-112000		
MATERIAL SEE TABLE	FINISH -	APPLICATION SPEC -	NAME -	RESTRICTED TO -
		WEIGHT 0.000000	SIZE A3	CAGE CODE 00779
		CUSTOMER DRAWING	DRAWING NO C-1634523	REV C1

SCALE NTS SHEET 1 OF 1

单击下面可查看定价，库存，交付和生命周期等信息

[>>TE Connectivity\(泰科\)](#)