

CAVITA' ADATTA PER CONTATTO JUNIOR TIMER LANCELESS P/N 281822
281823, CON GUARNIZIONE PASSACAVO P/N 182730, OPPURE JUNIOR
POWER TIMER CON GUARNIZIONE PASSACAVO.
(CAVITY SUITABLE FOR JUNIOR TIMER LANCELESS P/N 281822 AND
282823, WITH SINGLE WIRE SEAL P/N 182730, OR JUNIOR POWER
TIMER CONTACT WITH SINGLE WIRE SEAL).

NERVATURE, SOLO SUL 7 VIE
(RIBS, ON 7 POS. ONLY)

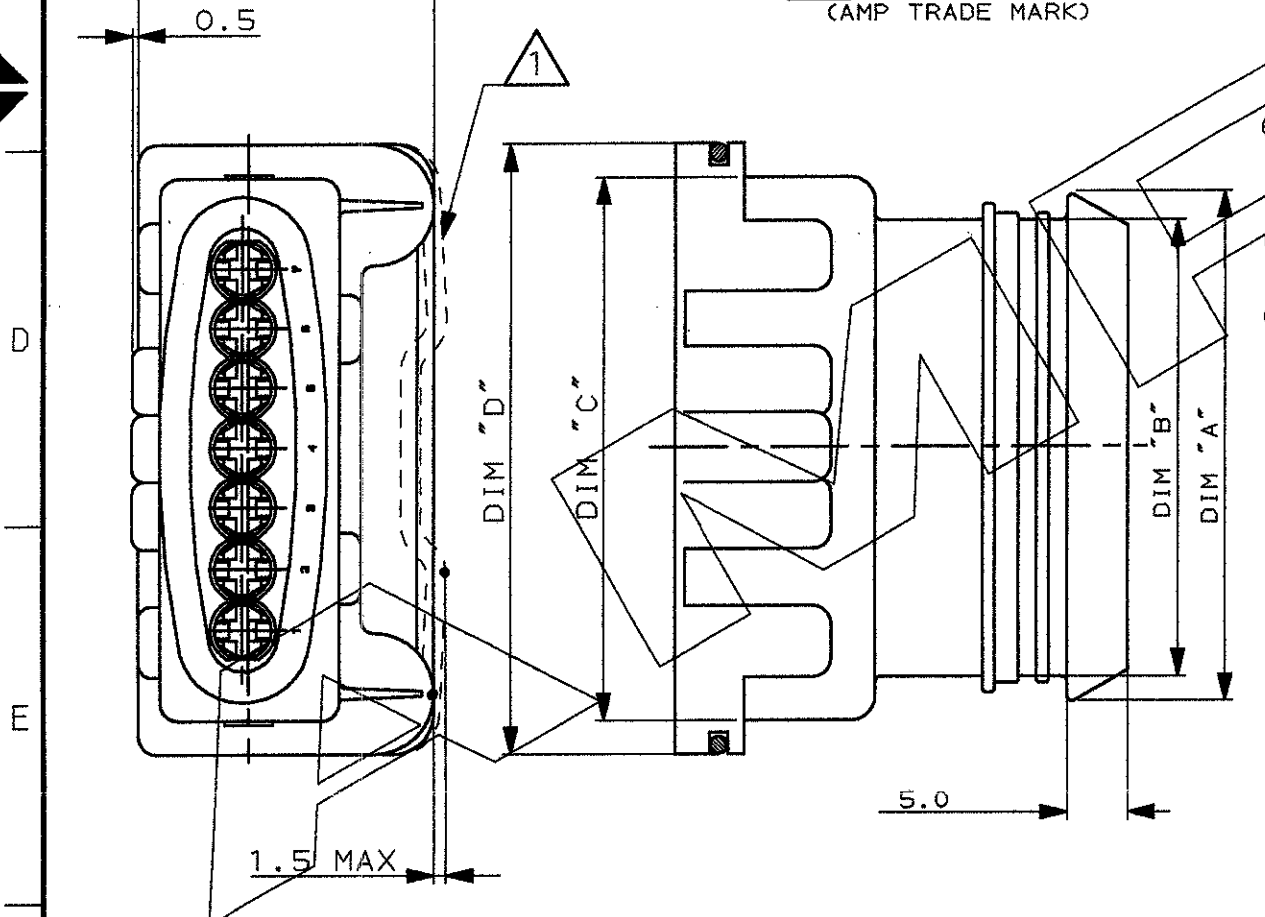
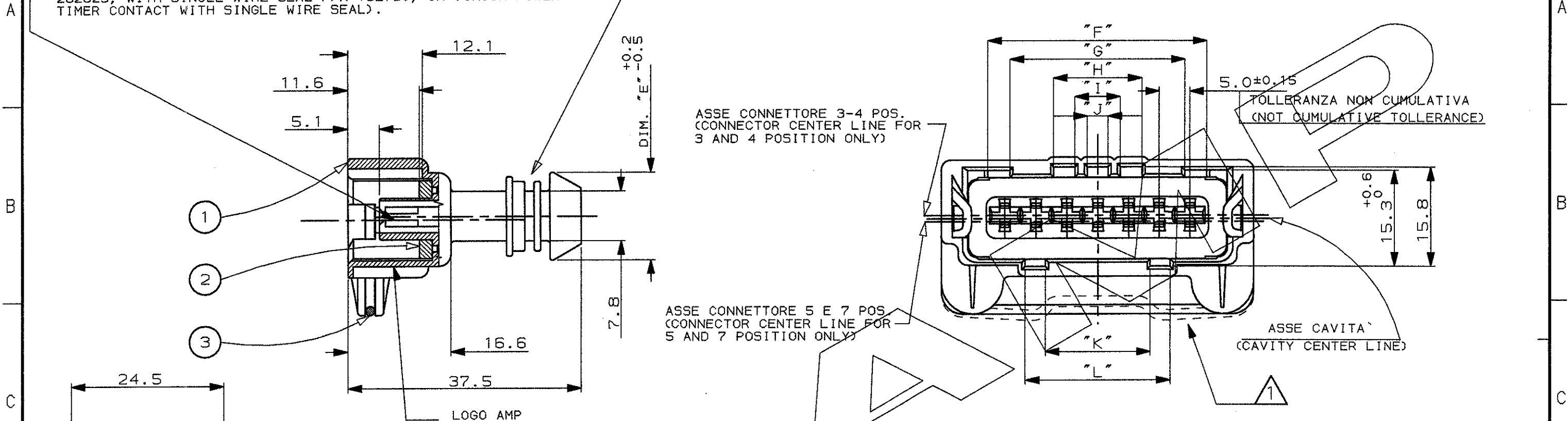
ASSE CONNETTORE 3-4 POS.
(CONNECTOR CENTER LINE FOR
3 AND 4 POSITION ONLY)

ASSE CONNETTORE 5 E 7 POS.
(CONNECTOR CENTER LINE FOR
5 AND 7 POSITION ONLY)

SCALA NON IMPEGNATIVA
(DO NOT SCALE)
DIMENSIONI IN mm
(DIMENSIONS IN mm)

METRIC

PROIEZIONE EUROPEA
(EUROPEAN PROJECTION)



7	42.6	37.8	45.0	50.5	14.6	35.5	28.3	//	//	3.4	16.3	23.5	GRIGIO (GREY)	281808-2
7	42.6	37.8	45.0	50.5	14.6	35.5	28.3	//	//	3.4	16.3	23.5	NERO (BLACK)	281808-1
5	32.0	27.8	35.0	40.5	15	28.5	21.3	//	//	3.4	11.3	18.5	GRIGIO (GREY)	281806-2
5	32.0	27.8	35.0	40.5	15	28.5	21.3	//	//	3.4	11.3	18.5	NERO (BLACK)	281806-1
4	28.0	22.8	30.0	35.5	14	//	//	14.3	7.4	//	11.3	18.5	MARRONE (BROWN)	281804-3
4	28.0	22.8	30.0	35.5	14	//	//	14.3	7.4	//	11.3	18.5	GRIGIO (GREY)	281804-2
4	28.0	22.8	30.0	35.5	14	//	//	14.3	7.4	//	11.3	18.5	NERO (BLACK)	281804-1
3	23.0	17.8	25.0	30.5	14	//	//	//	//	3.4	11.3	18.5	GRIGIO (GREY)	281802-2
3	23.0	17.8	25.0	30.5	14	//	//	//	//	3.4	11.3	18.5	NERO (BLACK)	281802-1

N° VIE (POS.)	A	B	C	D	E	F ^{+0.3} _{-0.1}	G ^{+0.1} _{-0.3}	H ^{+0.3} _{-0.1}	I ^{+0.1} _{-0.3}	J ^{+0.3} _{-0.1}	K ^{+0.1} _{-0.3}	L ^{+0.3} _{-0.1}	COLORE (COLOUR)	PART NUMBER
3													ACCIAIO INOX (STAINLESS STEEL)	MOLLA (SPRING)
2													GOMMA SILICONE (SILICONE RUBBER)	GUARNIZIONE (SEALING)
1													PA 6.6	BLOCCHETTO (HOUSING)
N° (ITEM)	FINITURA / COLORE (FINISH / COLOUR)		MATERIALE (MATERIAL)		DESCRIZIONE (DESCRIPTION)									

(*) OBSOLETE

CUSTOMER DWG. FOR REFERENCE ONLY

DISEGNO PER CLIENTE SOLO PER RIFERIMENTO

THIS DRAWING IS UNPUBLISHED - RELEASE FOR PUBLICATION 19

© COPYRIGHT 19 BY AMP INCORPORATED, HARRISBURG, PA. ALL INTERNATIONAL RIGHTS RESERVED. AMP PRODUCTS MAY BE COVERED BY U.S. AND FOREIGN PATENT AND/OR PATENT PENDING

TOLLERANZE: SE NON DIVERSAMENTE SPECIFICATO (TOLERANCES, UNLESS OTHERWISE SPECIFIED)

DIAM. ISOLANTE (INS. DIA. RANGE) RANGO FILO (WIRE RANGE) SCALA (SCALE)

± 0.3 // // 2:1

ANGOLI (ANGLES) ± 2°

DIS. 24 Aprile 87 (DR.) D Agostino S.

DESCRIZIONE (DESCRIPTION) SPLASH PROOF CONNECTOR 3-4-5-7 POSITION ASSEMBLY

LOC. SIZE NUMERO (DWG NO) MASTER REV. FOGLIO (SHEET) I A3 C-281808 G 1 DI (OP) 3

1 FORMA ALTERNATIVA MOLLA PER CONNETTORE 5 E 7 VIE
(SPRING ALTERNATIVE DESIGN FOR CONNECTOR 5 AND 7 POSITION)

CONNETTORE 5 E 7 VIE, (5 & 7 WAYS CONNECTOR)

DEFORMAZIONE MASSIMA 0.05
(MAX WARPAGE 0.05)

DEFORMAZIONE MASSIMA 0.15 NELLA CONDIZIONE DI MASSIMA LARGH.6.9)
(MAX WARPAGE 0.1 ONLY WITH MAX WIDTH 6.9)

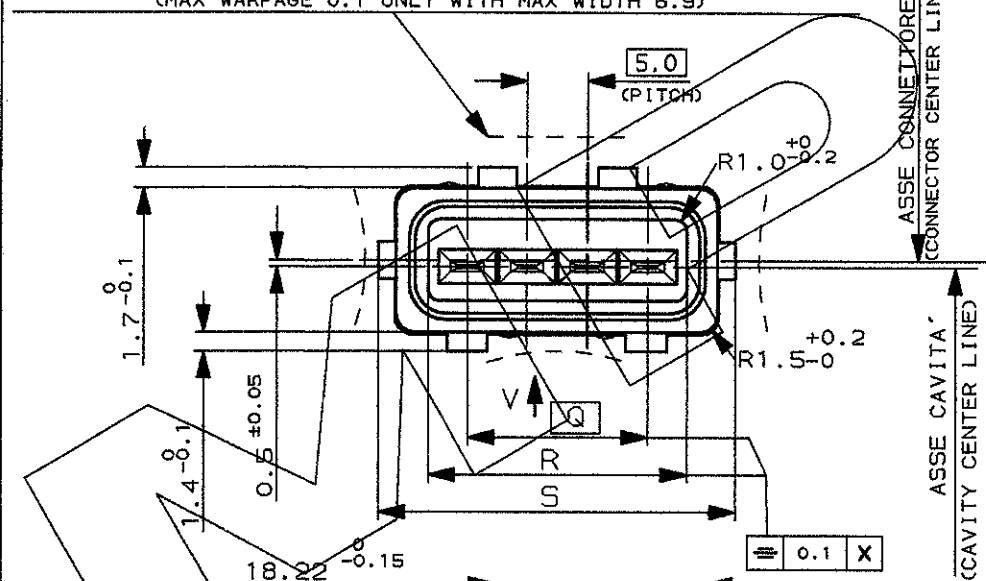
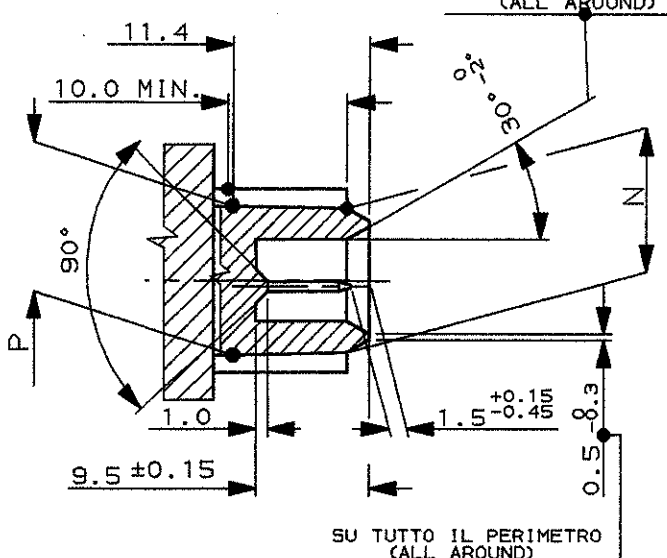
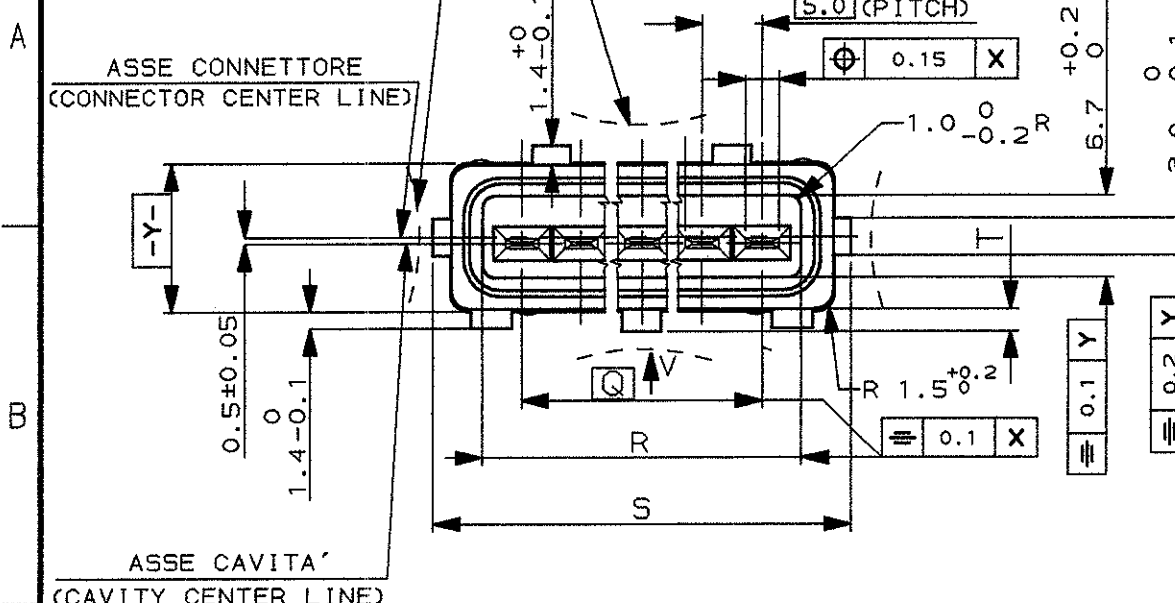
SU TUTTO IL PERIMETRO
(ALL AROUND)

DEFORMAZIONE MASSIMA 0.1 NELLA CONDIZIONE DI MASSIMA LARGH.6.9
(MAX WARPAGE 0.1 ONLY WITH MAX WIDTH 6.9)

SCALA NON IMPEGNATIVA
(DO NOT SCALE)
DIMENSIONI IN mm

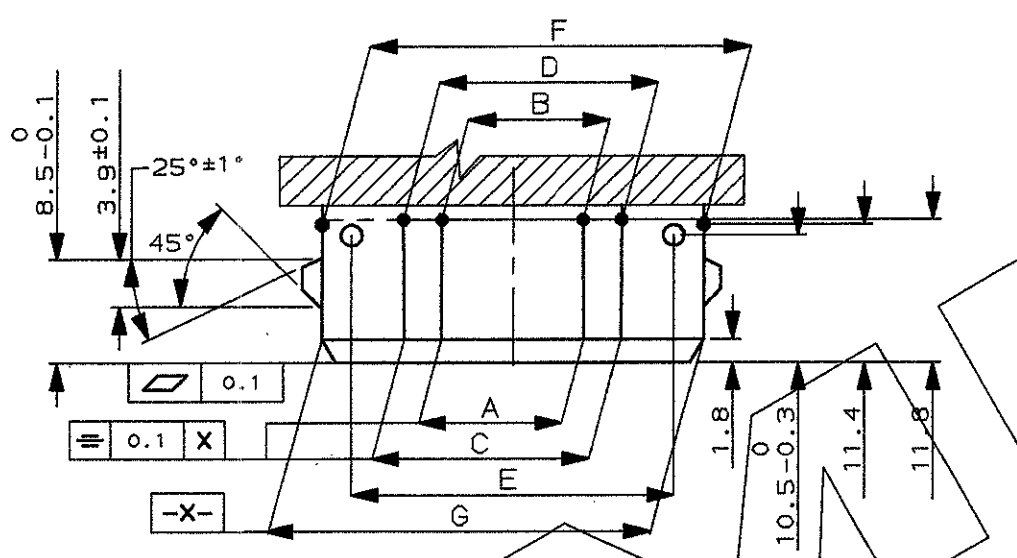
METRIC

PROIEZIONE EUROPEA
(EUROPEAN PROJECTION)

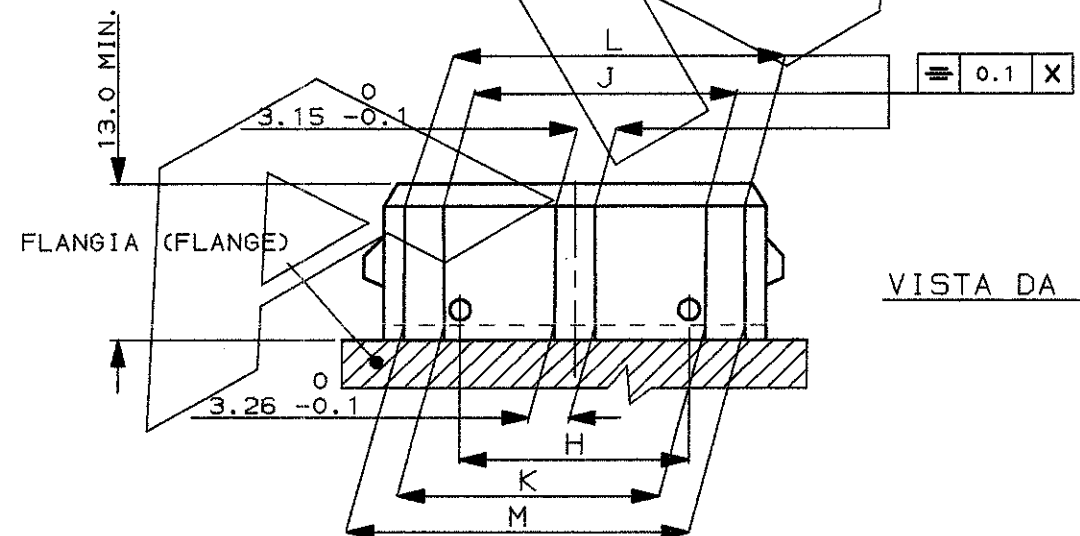


VISTA DA "V"
(VIEW FROM "V")

CONNETTORE 4 VIE, (4 WAYS CONNECTOR)



7	16.85	16.74	23.15	23.26	-0.4 36.8	41.82	41.65	26.0	28.8	28.69	35.2	35.31	11.8	11.97	30.0	±0.2 36.8	44.85	1.85
5	11.85	11.74	18.15	18.26	-0.3 26.8	31.82	31.65	19.0	21.8	21.69	28.2	28.31	11.8	11.97	20.0	±0.2 26.8	34.85	1.75
4	7.95	7.79	13.99	14.1	-0.3 18.0	26.82	26.65	//	//	//	//	//	11.85	12.2	15.0	±0.15 21.8	29.85	//
N°VIE (POS.)	+0.1 0	+0.1 0	0 -0.15	0 -0.15		0 -0.15	0 -0.15	0 -0.3	+0.15 0	+0.15 0	0 -0.15	0 -0.15	0 -0.2	0 -0.2			0 -0.2	0 -0.1



PER DIMENSIONE "TAB" VEDERE FOGLIO 2 DI 3.
(FOR "TAB" DIMENSIONS SEE SHEET 2 OF 3)

FINITURA / COLORE (FINISH / COLOUR) MATERIALE (MATERIAL) NUMERO (PART NUMBER)

CUSTOMER DWG. FOR REFERENCE ONLY DISEGNO PER CLIENTE SOLO PER RIFERIMENTO

THIS DRAWING IS UNPUBLISHED RELEASE FOR PUBLICATION 19

©COPYRIGHT 1986 BY AMP INCORPORATED, HARRISBURG, PA. ALL INTERNATIONAL RIGHT RESERVED. AMP PRODUCTS MAY BE COVERED BY U.S. AND FOREIGN PATENT AND/OR PATENT PENDING

TOLLERANZE, SE NON DIVERSAMENTE SPECIFICATO (TOLERANCES, UNLESS OTHERWISE SPECIFIED)

DIAM. ISOLANTE (INS. DIA. RANGE) RANGO FILO (WIRE RANGE) SCALA (SCALE)

± 0.3

ANGOLI (ANGLES) ± 2°



DESCRIZIONE (DESCRIPTION) SPLASH PROOF CONNECTOR 3-4-5-7 POSITION ASS'Y

REV. (REV.)	REVISIONI (REVISION RECORD)	DIS. (DR.)	DATA (DATE)	LOC. (LOC.)	SIZE (SIZE)	NUMERO (DWG NO)	REV.	FOGLIO (SHEET)
						IA3C-281808	/	3 / 3

PRINTING (PRINT DIST.)

单击下面可查看定价，库存，交付和生命周期等信息

[>>TE Connectivity\(泰科\)](#)