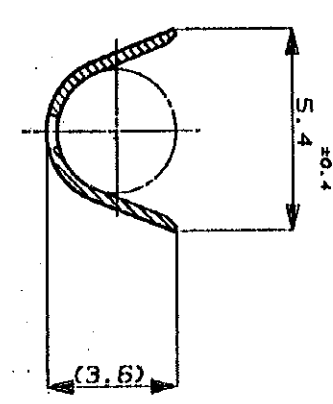
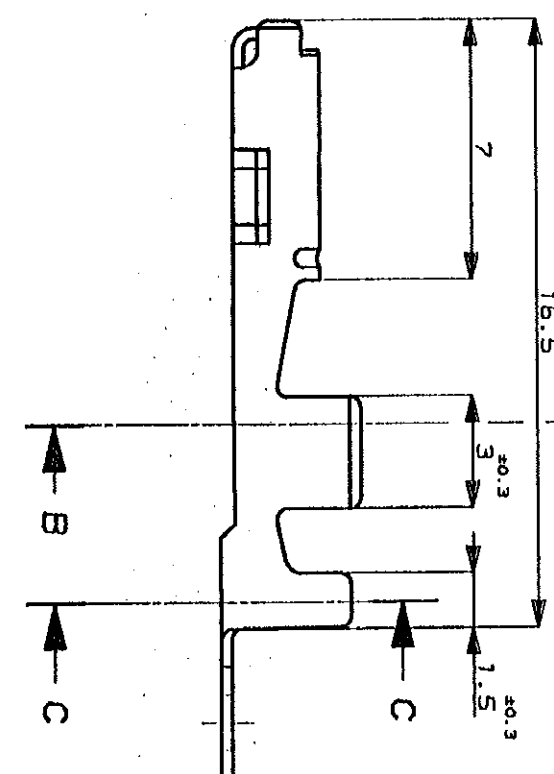
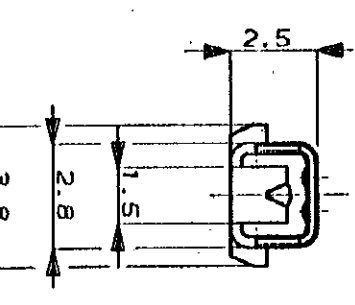
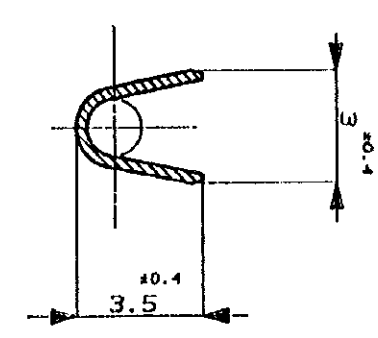
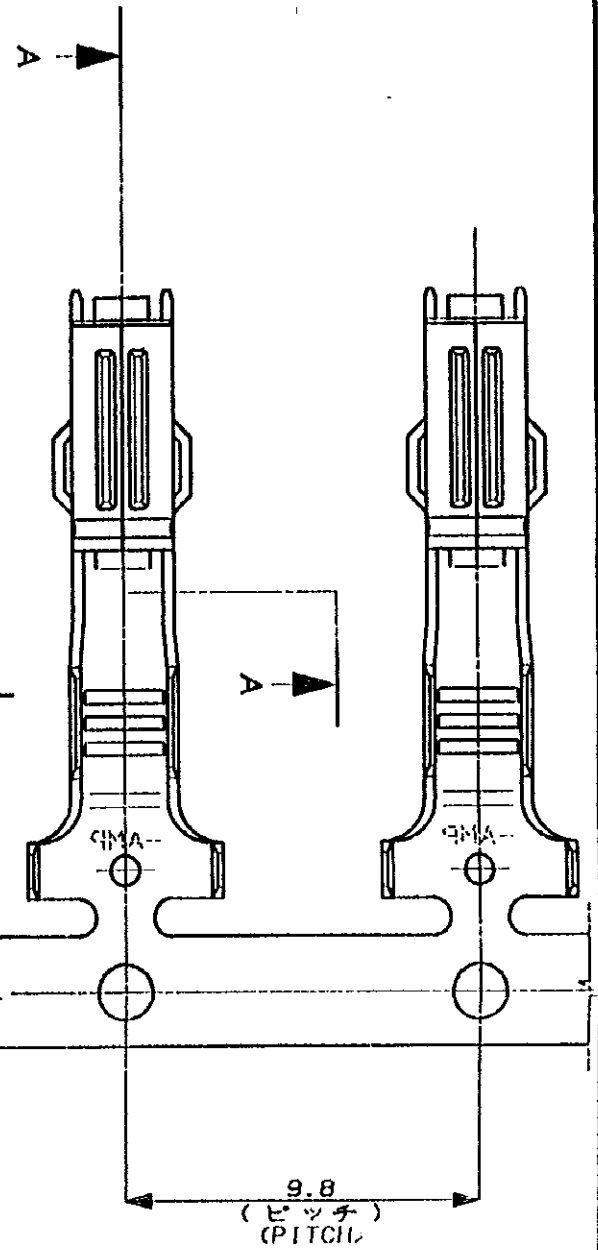
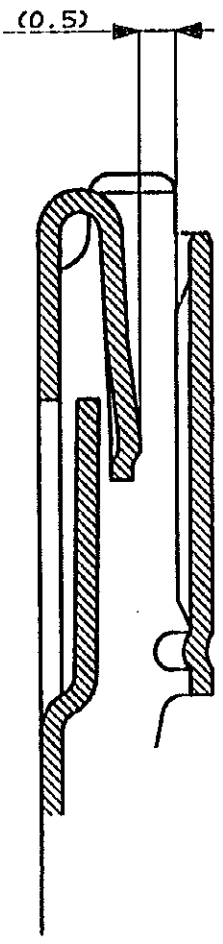


DIMENSIONS IN MILLIMETERS. DO NOT SCALE PRINT



NOTE:
▲ SELECTIVE GOLD PLATING ALONG CONTACT AREA AFTER ALL OVER NICKEL PLATING

注:
▲ 全面ニツカルメッキ上に接触部にのみ部分金メッキを施す



SECT. A-A
断面 A-A
尺度 : 10-1
SCALE: 10-1

LTR		REVISION RECORD	DR	CHK	DATE
0	RELEASED 作図	J-10627	Y.F.		
WIRE RANGE AWG AWG 0.5-1.35 mm ² (AWG20-16) MATERIAL KLF-5, 線径: 0.3 FINISH SEE TABLE DR. Y. FUJIMORI 10/19/88 DE. K. ODA 10/28/88 11/10/88 1/29/89					
© 1986 BY AMP (JAPAN) LTD. ALL RIGHTS RESERVED. AMP PRODUCTS COVERED BY PATENTS AND OR PATENTS PENDING			INSULATION DIA 2-2.6 mm ^φ		
NAME .070 SERIES RECEPTACLE CONTACT ECONOSPAL J-MARKET CONNECTOR コネクター			FINISH GOLD PLATING 金めっき		
GENERAL TOLERANCE 0.4 ± 0.2 1.0 ± 0.3 3.0 ± 0.5 ANGLES : ± 3°			NAME AMP (JAPAN) LTD. Tokyo, Japan		
SIZE LOC NUMBER A3 J SCALE 5-1			NO. 175104-2 .070シリーズリセクタコネクタ 1		
C-175104 SHEET 1 OF 1			REV. 0		

CUSTOMER DRAWING

单击下面可查看定价，库存，交付和生命周期等信息

[>>TE Connectivity\(泰科\)](#)