

THIS DRAWING IS UNPUBLISHED.

RELEASED FOR PUBLICATION

2016

© COPYRIGHT 2016

BY Tyco Electronics Japan G.K.

ALL RIGHTS RESERVED.

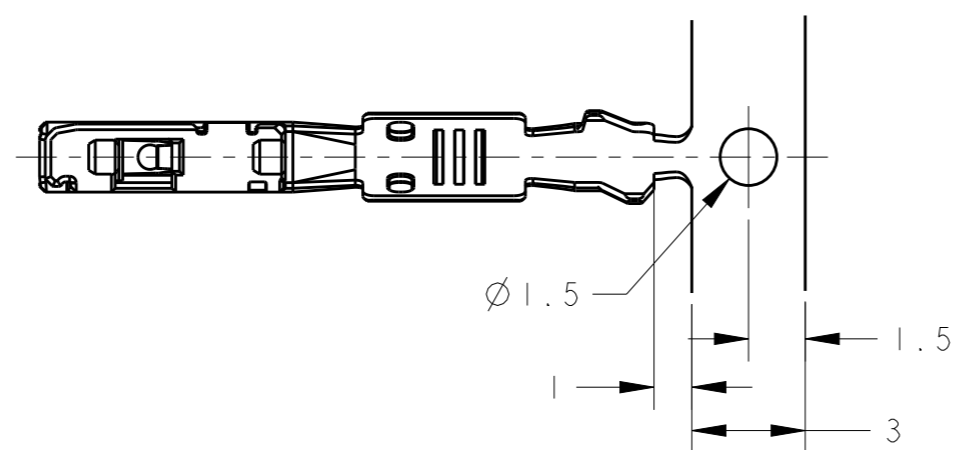
LOC
J

DIST
-

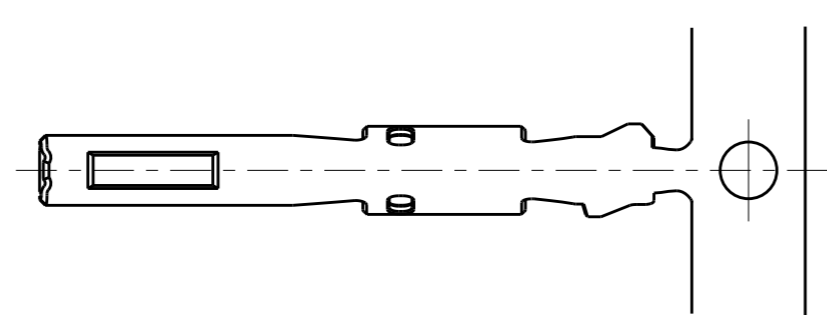
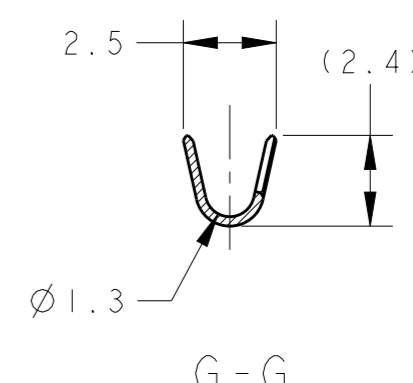
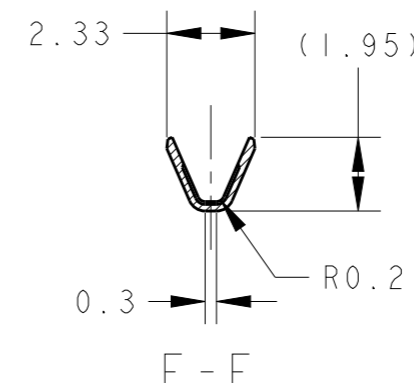
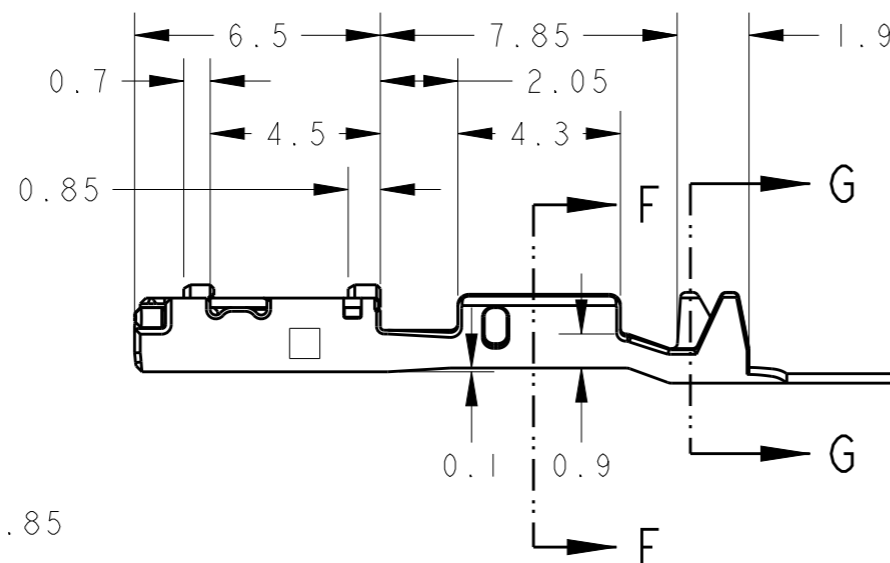
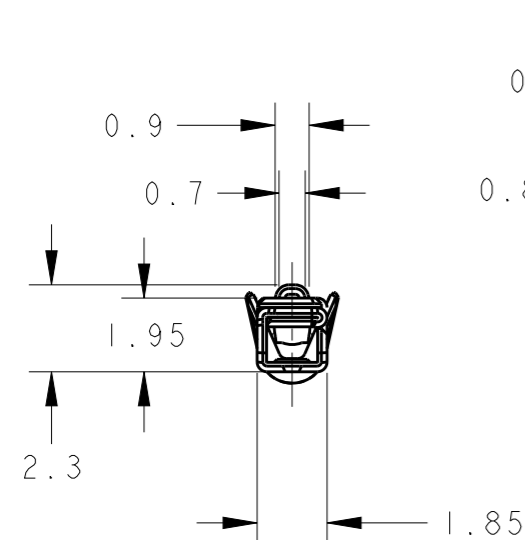
REVISIONS

変更

P	LTR	DESCRIPTION	DATE	DWN	APVD
	A	RELEASED	29SEP2016	KY	TK
	A1	REVISED	11NOV2016	KY	TK
		ECR-16-015765			



AS SHOWN: - 1
本図: - 1



- 1. 通用電線:
AVSS/AESSX/AVSSH 0.3~0.5mm²
- 2. アプリケーター送りピッチ: 10.2mm

- 1. APPLICABLE WIRE RANGE:
AVSS/AESSX/AVSSH 0.3-0.5mm²
- 2. APPLICATER FEED: 10.2mm

THIS DRAWING IS A CONTROLLED DOCUMENT.

DIMENSIONS: 単位: 概 mm	TOLERANCES UNLESS OTHERWISE SPECIFIED:
一般公差	±0.3
0 PLC	±
1 PLC	±0.5
2 PLC	±0.13
3 PLC	±0.013
4 PLC	±0.0013
ANGLES	±3'00"

MATERIAL 材料: Cu Alloy

FINISH 仕上: PRE-TIN

DWN	29SEP2016
CHK	29SEP2016
APVD	29SEP2016
PRODUCT SPEC	108-78947
APPLICATION SPEC	114-5500
WEIGHT	0.27 g

WIRE RANGE 相当電線断面積	0.3-0.5mm ²	INSULATION DIA 被覆外径	φ1.3-φ1.7
STE TE Connectivity			
NAME 名称: SEALED 1.0 RECEPTACLE CONTACT SS-SIZE			
SIZE	CAGE CODE	DRAWING NO 番号	RESTRICTED TO
A3	00779	C=2201289	-
CUSTOMER DRAWING		SCALE 尺度	5:1
		SHEET	1 OF 1
		REV	A1

单击下面可查看定价，库存，交付和生命周期等信息

[>>TE Connectivity\(泰科\)](#)