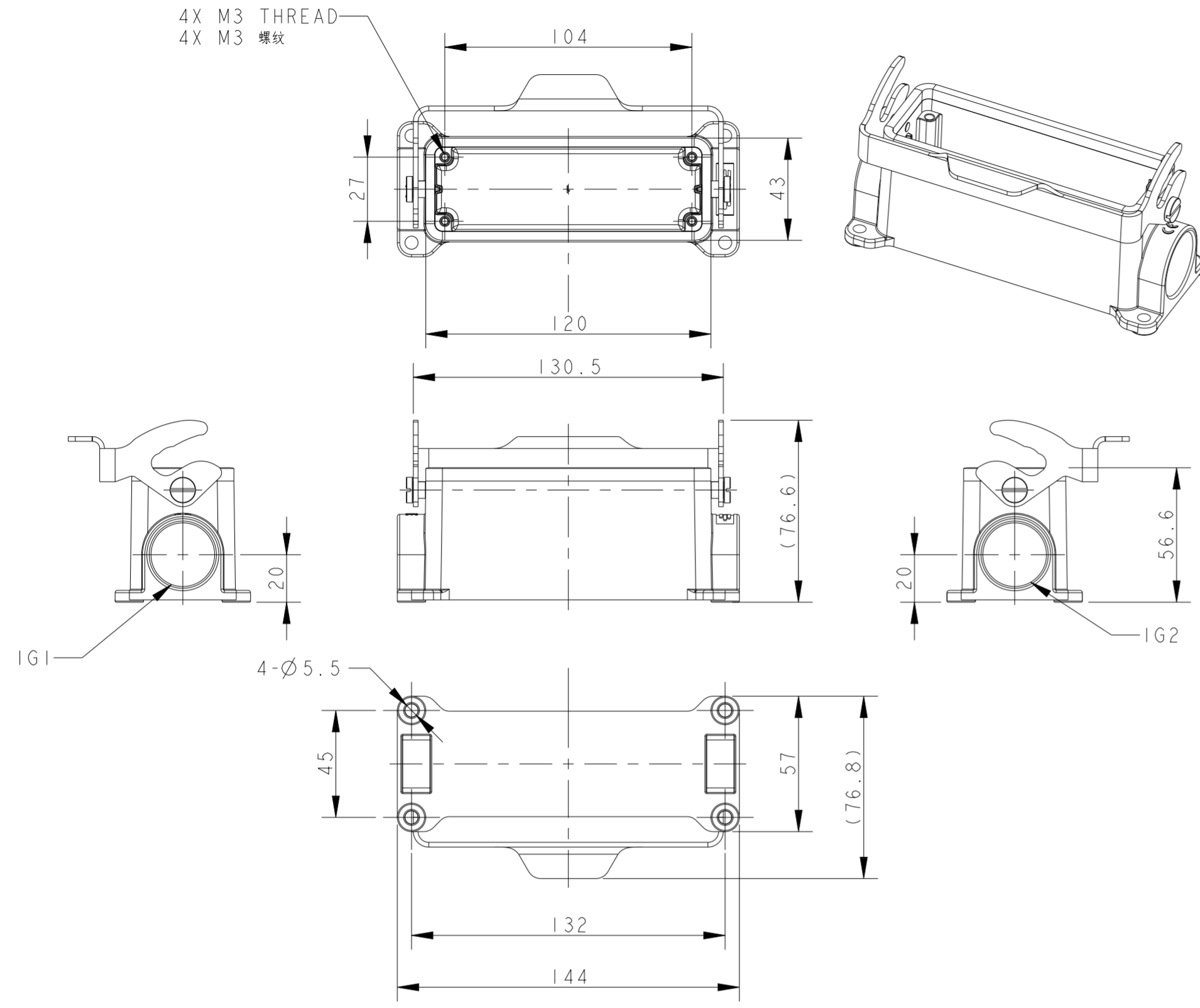


THIS DRAWING IS UNPUBLISHED. RELEASED FOR PUBLICATION 20  
 © COPYRIGHT 20 BY - ALL RIGHTS RESERVED.

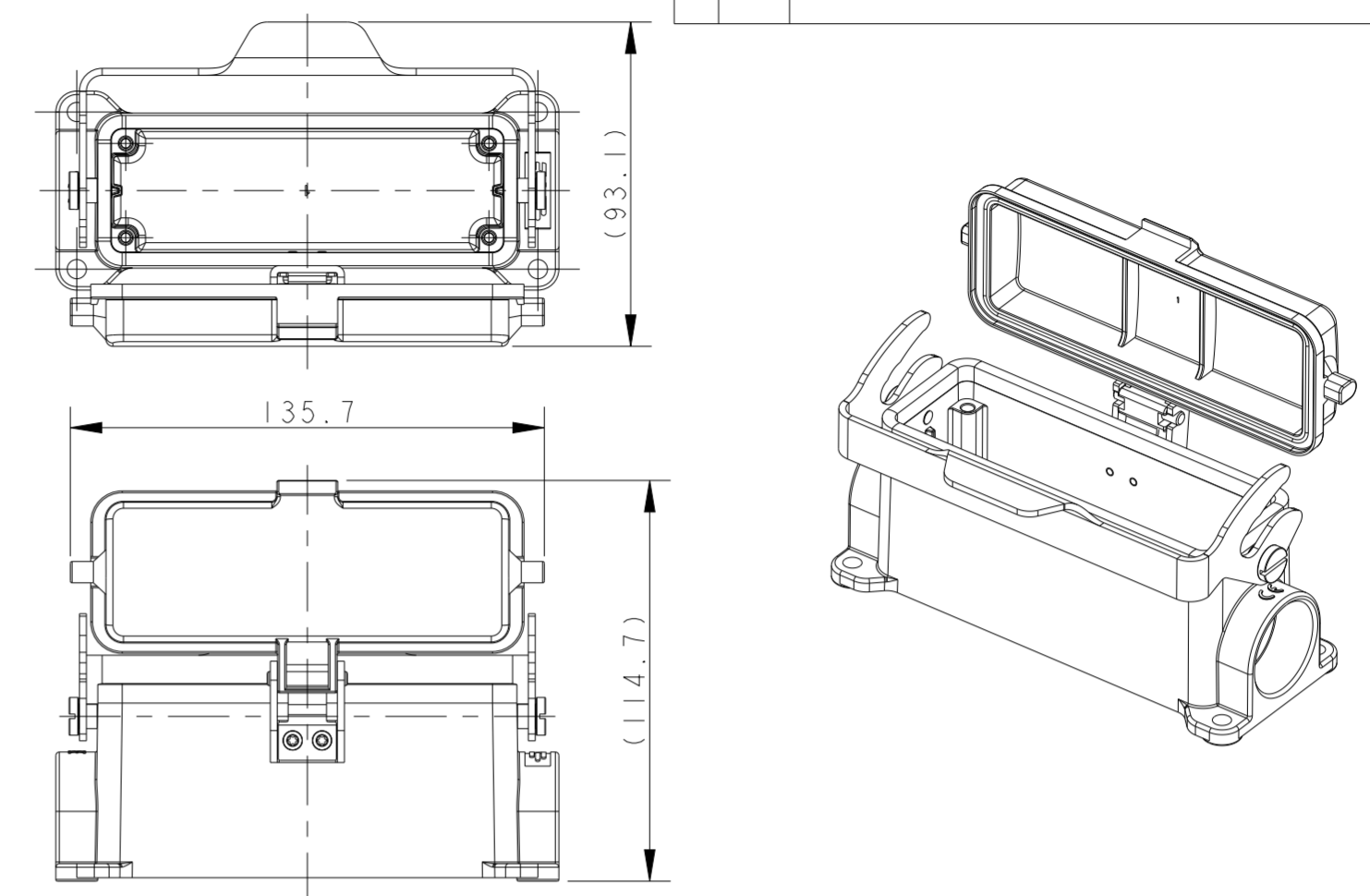
| REVISIONS |     |                 |           |     |      |
|-----------|-----|-----------------|-----------|-----|------|
| P         | LTR | DESCRIPTION     | DATE      | DWN | APVD |
| A         |     | INITIAL RELEASE | 02JUL2015 | DL  | CW   |
| A1        |     | ECR-18-019196   | 02JAN2019 | WOR | CW   |
| B         |     | ECR-20-014876   | 27JUL2021 | WOR | CW   |



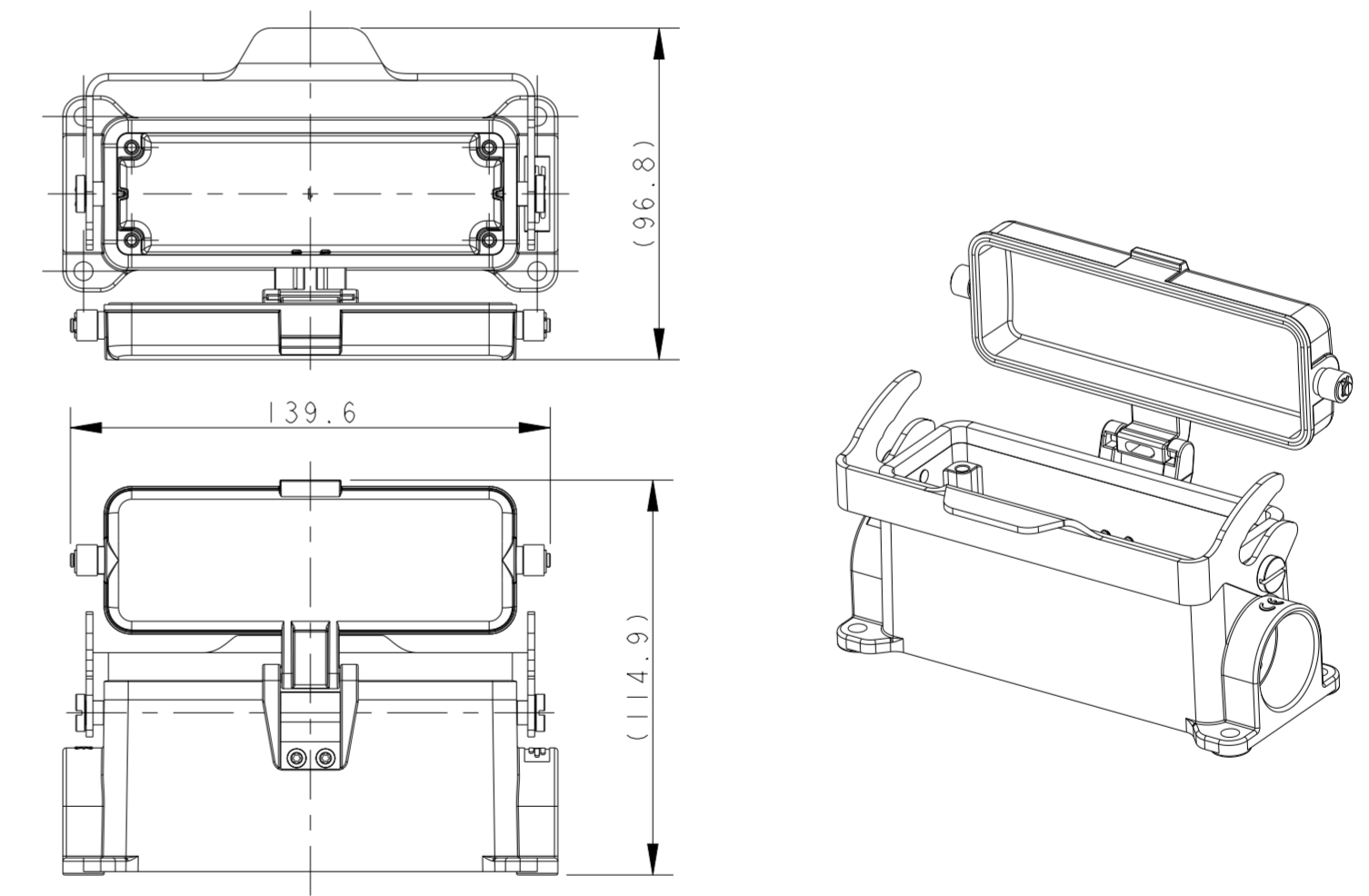
TYPE 1: H24B HOUSING, SURFACE MOUNTED, METAL SINGLE LOCKING.  
 类型1: H24B下壳, 表面安装, 彩锌单扣.

NOTES:  
 1. TECHNICAL CHARACTERISTICS:  
 BODY MATERIAL: DIE CAST ALUMINIUM ALLOY  
 SURFACE TREATMENT: POWDER-COATED, GRAY  
 DEGREE OF PROTECTION: IP65 (MATED)

注释:  
 1. 技术参数:  
 主体材料: 铝合金  
 表面处理: 粉末喷涂, 灰色  
 防护等级: IP65(配合)



TYPE 2: H24B HOUSING, SURFACE MOUNTED, METAL SINGLE LOCKING+PLASTIC PROTECTION COVER  
 OTHER SPEC REFER TO TYPE 1  
 类型2: H24B下壳, 表面安装, 彩锌单扣+带塑料保护盖  
 其余规范参考类型1



TYPE 3: H24B HOUSING, SURFACE MOUNTED, METAL SINGLE LOCKING+METAL PROTECTION COVER  
 OTHER SPEC REFER TO TYPE 1  
 类型3: H24B下壳, 表面安装, 彩锌单扣+带金属保护盖  
 其余规范参考类型1

|  |  |                             |  |             |                              |
|--|--|-----------------------------|--|-------------|------------------------------|
| THIS DRAWING IS A CONTROLLED DOCUMENT. |  | DWN DAVID LI 02JUL2015      | TE Connectivity                                |             |                              |
| DIMENSIONS: mm                         |  | CHK CHRIS WANG 02JUL2015    |  |             |                              |
| TOLERANCES UNLESS OTHERWISE SPECIFIED: |  | APVD XU XIANG 02JUL2015     | NAME H24B-SGR/SDR/SDRM/SGRH/SDRH/SDRHM-LB-PG/M |             |                              |
| 0 PLC ±                                |  | PRODUCT SPEC 108-137013     | SIZE A2  | CAGE CODE - | DRAWING NO. C-T16X0243XXXX00 |
| 1 PLC ±                                |  | APPLICATION SPEC 114-137013 | RESTRICTED TO -                                | SCALE 1:2   | SHEET 1 OF 4                 |
| 2 PLC ±                                |  | WEIGHT -                    | REV B  |             |                              |
| 3 PLC ±                                |  | Customer Drawing            |  |             |                              |
| 4 PLC ±                                |  |                             |  |             |                              |
| ANGLES ±                               |  |                             |  |             |                              |
| FINISH -                               |  |                             |  |             |                              |

4

3

2

1

THIS DRAWING IS UNPUBLISHED. RELEASED FOR PUBLICATION 20  
 BY - ALL RIGHTS RESERVED.

| REVISIONS |     |             |      |      |
|-----------|-----|-------------|------|------|
| P         | LTR | DESCRIPTION | DATE | APVD |
| -         | -   | SEE SHEET 1 | -    | -    |
|           |     |             |      |      |
|           |     |             |      |      |

TYPE 4: H24B HOUSING, SURFACE MOUNTED, METAL SINGLE LOCKING, SIDE ENTRY 2M25, BOTTOM ENTRY M20+PLASTIC PROTECTION COVER  
 OTHER SPEC REFER TO TYPE 2  
 类型4: H24B下壳, 表面安装, 彩锌单扣, 侧出2M25, 底出M20+带塑料保护盖  
 其余规范参考类型2

| PART NUMBER     | 料号                   | DESCRIPTION  | 描述   | IG1  | IG2    | TYPE   | 类型   |
|-----------------|----------------------|--|------|------|--------|--------|------|
| T1610243121-000 | H24B-SGR-LB-PG21     | H24B HOUSING, SURFACE MOUNTED, METAL SINGLE LOCKING, PG21, POWDER COATED, GREY<br>H24B下壳, 表面安装, 彩锌单扣, PG21, 灰色粉末喷涂   | PG21 | -    | -      | TYPE 1 | 类型 1 |
| T1610243125-000 | H24B-SGR-LB-M25      | H24B HOUSING, SURFACE MOUNTED, METAL SINGLE LOCKING, M25, POWDER COATED, GREY<br>H24B下壳, 表面安装, 彩锌单扣, M25, 灰色粉末喷涂   | M25  | -    |        |        |      |
| T1610243221-000 | H24B-SGR-LB-2PG21    | H24B HOUSING, SURFACE MOUNTED, METAL SINGLE LOCKING, 2PG21, POWDER COATED, GREY<br>H24B下壳, 表面安装, 彩锌单扣, 2PG21, 灰色粉末喷涂   | PG21 | PG21 |        |        |      |
| T1610243225-000 | H24B-SGR-LB-2M25     | H24B HOUSING, SURFACE MOUNTED, METAL SINGLE LOCKING, 2M25, POWDER COATED, GREY<br>H24B下壳, 表面安装, 彩锌单扣, 2M25, 灰色粉末喷涂   | M25  | M25  | TYPE 2 | 类型 2   |      |
| T1620243121-000 | H24B-SDR-LB-PG21     | H24B HOUSING, SURFACE MOUNTED, METAL SINGLE LOCKING, PG21, PLASTIC PROTECTION COVER, POWDER COATED, GREY<br>H24B下壳, 表面安装, 彩锌单扣, PG21, 带塑料保护盖, 灰色粉末喷涂                                       | PG21 | -    |        |        |      |
| T1620243125-000 | H24B-SDR-LB-M25      | H24B HOUSING, SURFACE MOUNTED, METAL SINGLE LOCKING, M25, PLASTIC PROTECTION COVER, POWDER COATED, GREY<br>H24B下壳, 表面安装, 彩锌单扣, M25, 带塑料保护盖, 灰色粉末喷涂   | M25  | -    |        |        |      |
| T1620243221-000 | H24B-SDR-LB-2PG21    | H24B HOUSING, SURFACE MOUNTED, METAL SINGLE LOCKING, 2PG21, PLASTIC PROTECTION COVER, POWDER COATED, GREY<br>H24B下壳, 表面安装, 彩锌单扣, 2PG21, 带塑料保护盖, 灰色粉末喷涂                                     | PG21 | PG21 |        |        |      |
| T1620243225-000 | H24B-SDR-LB-2M25     | H24B HOUSING, SURFACE MOUNTED, METAL SINGLE LOCKING, 2M25, PLASTIC PROTECTION COVER, POWDER COATED, GREY<br>H24B下壳, 表面安装, 彩锌单扣, 2M25, 带塑料保护盖, 灰色粉末喷涂                                       | M25  | M25  | TYPE 3 | 类型 3   |      |
| T1620243421-000 | H24B-SDRM-LB-PG21    | H24B HOUSING, SURFACE MOUNTED, METAL SINGLE LOCKING, PG21, METAL PROTECTION COVER, POWDER COATED, GREY<br>H24B下壳, 表面安装, 彩锌单扣, PG21, 带金属保护盖, 灰色粉末喷涂   | PG21 | -    |        |        |      |
| T1620243425-000 | H24B-SDRM-LB-M25     | H24B HOUSING, SURFACE MOUNTED, METAL SINGLE LOCKING, M25, METAL PROTECTION COVER, POWDER COATED, GREY<br>H24B下壳, 表面安装, 彩锌单扣, M25, 带金属保护盖, 灰色粉末喷涂   | M25  | -    |        |        |      |
| T1620243321-000 | H24B-SDRM-LB-2PG21   | H24B HOUSING, SURFACE MOUNTED, METAL SINGLE LOCKING, 2PG21, METAL PROTECTION COVER, POWDER COATED, GREY<br>H24B下壳, 表面安装, 彩锌单扣, 2PG21, 带金属保护盖, 灰色粉末喷涂                                       | PG21 | PG21 |        |        |      |
| T1620243325-000 | H24B-SDRM-LB-2M25    | H24B HOUSING, SURFACE MOUNTED, METAL SINGLE LOCKING, 2M25, METAL PROTECTION COVER, POWDER COATED, GREY<br>H24B下壳, 表面安装, 彩锌单扣, 2M25, 带金属保护盖, 灰色粉末喷涂   | M25  | M25  | TYPE 4 | 类型 4   |      |
| T1620242520-000 | H24B-SDR-LB-2M25/M20 | H24B HOUSING, SURFACE MOUNTED, METAL SINGLE LOCKING, SIDE ENTRY 2M25, BOTTOM ENTRY M20, PLASTIC PROTECTION COVER, POWDER COATED, GREY<br>H24B下壳, 表面安装, 彩锌单扣, 侧出2M25, 底出M20, 带塑料保护盖, 灰色粉末喷涂 | M25  | M25  |        |        |      |

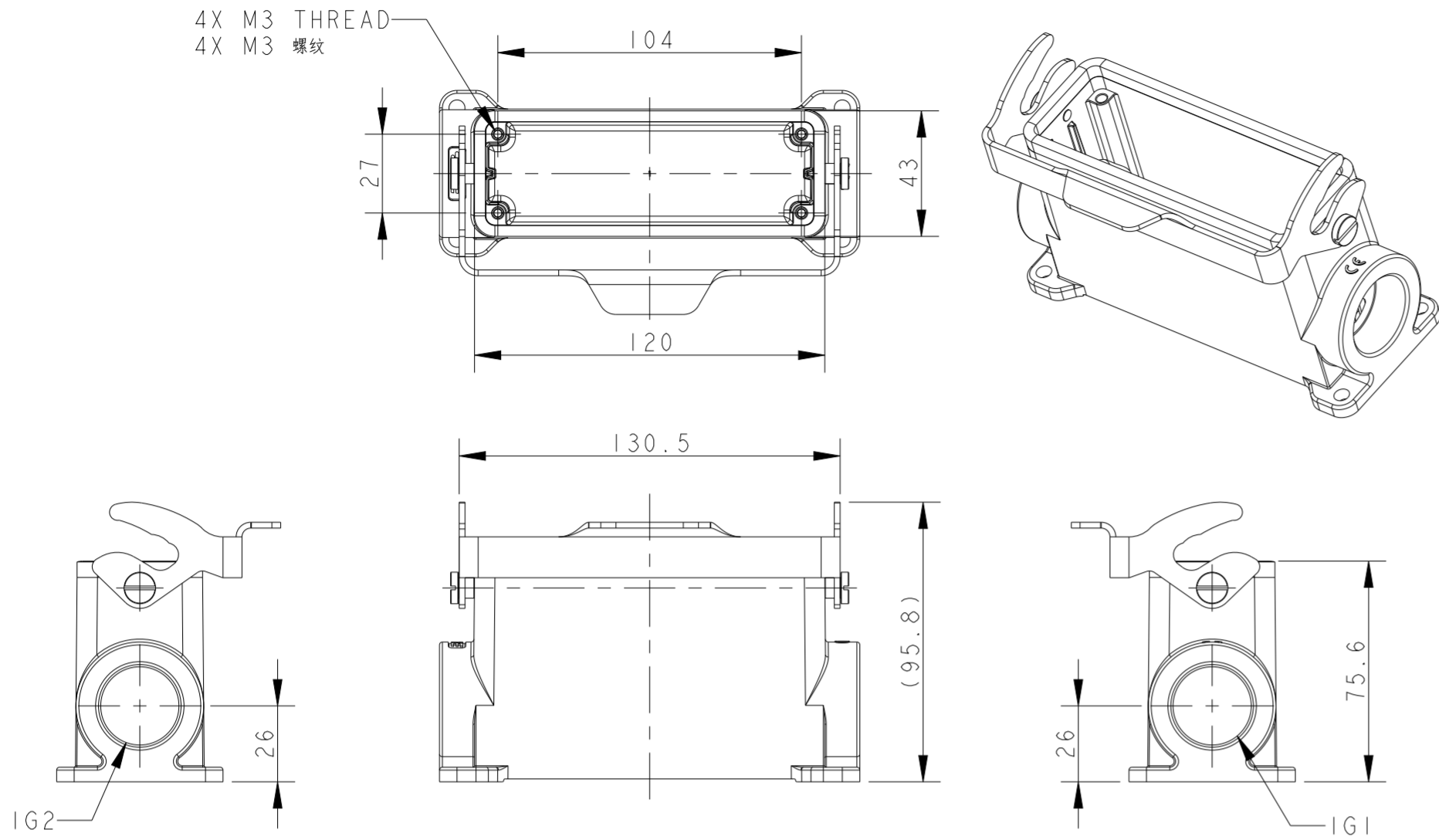
|  |  |                             |  |  |
|--|--|-----------------------------|--|--|
| THIS DRAWING IS A CONTROLLED DOCUMENT. |  | DWN DAVID LI 02JUL2015      | TE Connectivity                                |  |
|  |  | CHK CHRIS WANG 02JUL2015    |  |  |
| DIMENSIONS: mm                         |  | APVD XU XIANG 02JUL2015     | NAME H24B-SGR/SDR/SDRM/SGRH/SDRH/SDRHM-LB-PG/M |  |
| TOLERANCES UNLESS OTHERWISE SPECIFIED: |  | PRODUCT SPEC 108-137013     | SIZE A2  |  |
| 0 PLC ±                                |  | APPLICATION SPEC 114-137013 | CAGE CODE -                                    |  |
| 1 PLC ±                                |  | WEIGHT -                    | DRAWING NO C-T16X0243XXXX00                    |  |
| 2 PLC ±                                |  | Customer Drawing            | RESTRICTED TO -                                |  |
| 3 PLC ±                                |  | SCALE 1:2                   | SHEET 2 OF 4                                   |  |
| 4 PLC ±                                |  |                             | REV B  |  |
| ANGLES ±                               |  |                             |  |  |
| FINISH -                               |  |                             |  |  |
| MATERIAL -                             |  |                             |  |  |

1471-9 (3/13)

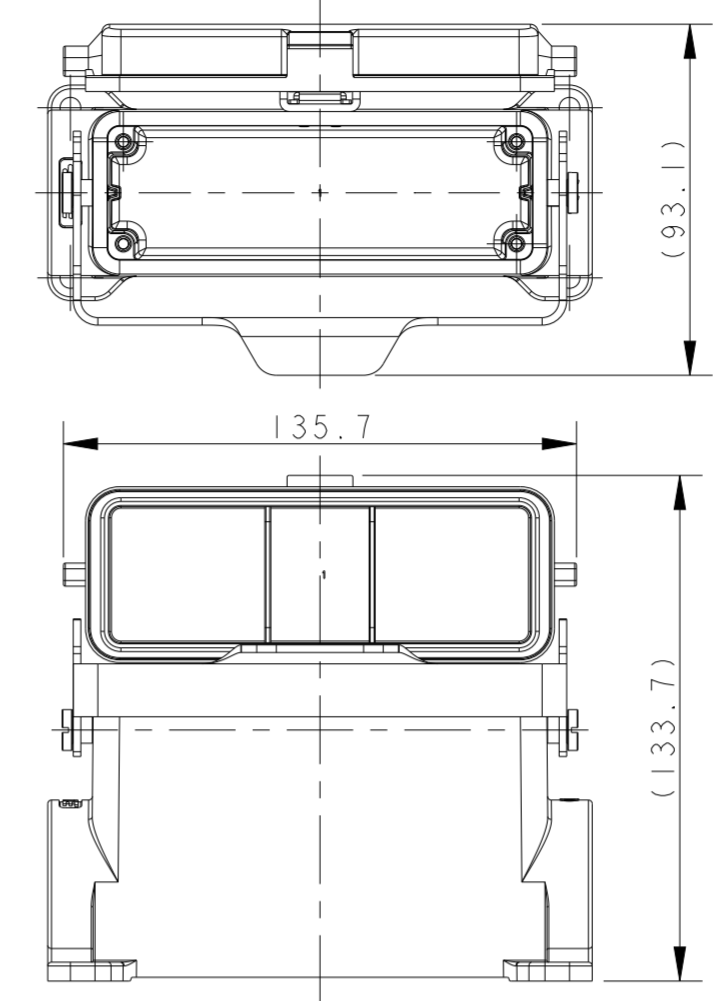
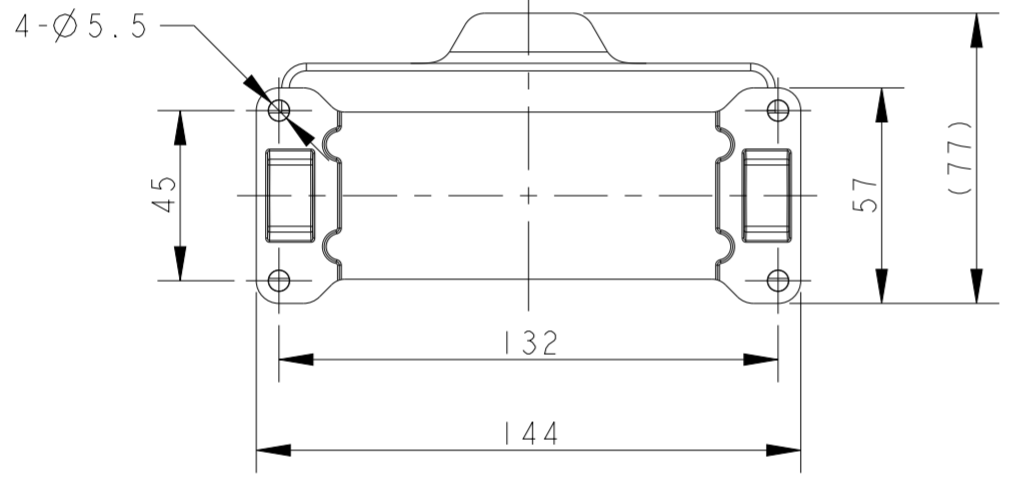
Downloaded From [Onevac.com](http://Onevac.com)

THIS DRAWING IS UNPUBLISHED. RELEASED FOR PUBLICATION 20  
 © COPYRIGHT 20 BY - ALL RIGHTS RESERVED.

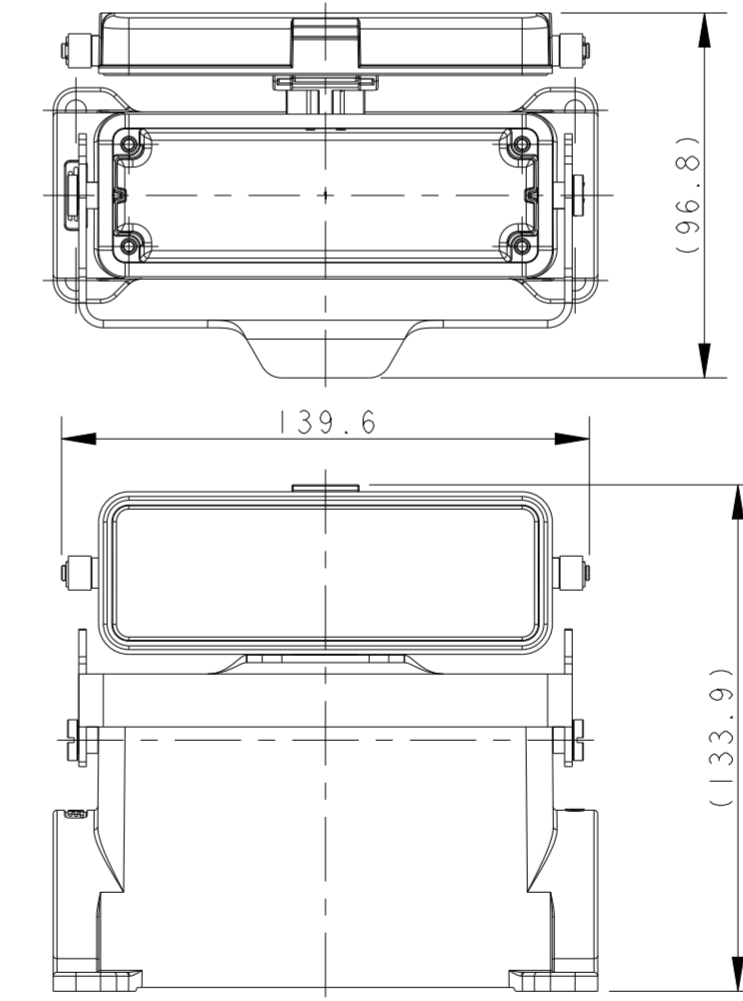
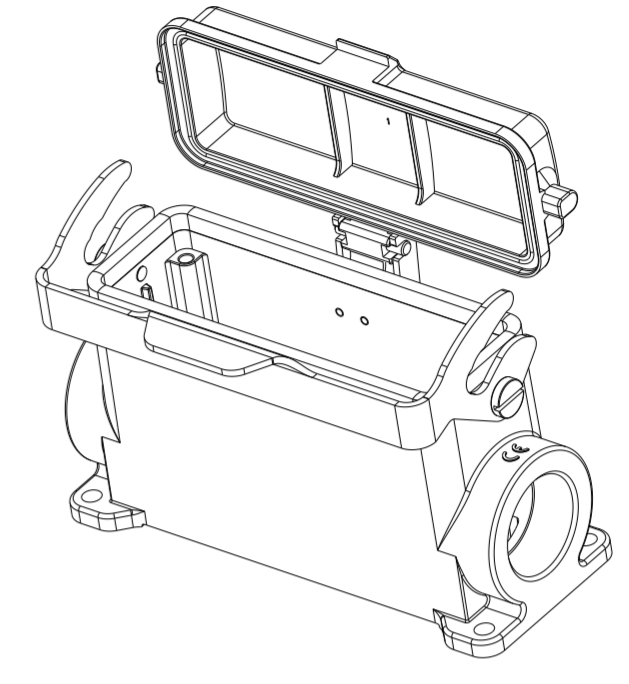
| REVISIONS |     |             |      |     |      |
|-----------|-----|-------------|------|-----|------|
| P         | LTR | DESCRIPTION | DATE | DWN | APVD |
| -         |     | SEE SHEET 1 | -    | -   | -    |
|           |     |             |      |     |      |
|           |     |             |      |     |      |



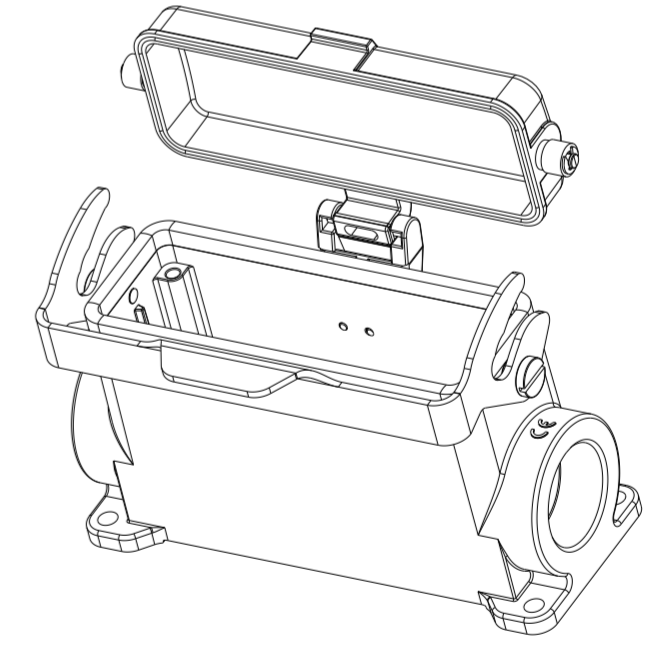
TYPE 5: H24B HOUSING, SURFACE MOUNTED, METAL SINGLE LOCKING, HIGH CONSTRUCTION  
 类型5: H24B下壳, 表面安装, 彩锌单扣, 高结构



TYPE 6: H24B HOUSING, SURFACE MOUNTED, METAL SINGLE LOCKING, HIGH CONSTRUCTION+PLASTIC PROTECTION COVER  
 OTHER SPEC REFER TO TYPE 5  
 类型6: H24B下壳, 表面安装, 彩锌单扣, 高结构+带塑料保护盖  
 其余规范参考类型5



TYPE 7: H24B HOUSING, SURFACE MOUNTED, METAL SINGLE LOCKING, HIGH CONSTRUCTION+METAL PROTECTION COVER  
 OTHER SPEC REFER TO TYPE 5  
 类型7: H24B下壳, 表面安装, 彩锌单扣, 高结构+带金属保护盖  
 其余规范参考类型5



|  |  |                             |  |             |                              |
|--|--|-----------------------------|--|-------------|------------------------------|
| THIS DRAWING IS A CONTROLLED DOCUMENT. |  | DWN DAVID LI 02JUL2015      | TE Connectivity                                |             |                              |
| DIMENSIONS: mm                         |  | CHK CHRIS WANG 02JUL2015    |  |             |                              |
| TOLERANCES UNLESS OTHERWISE SPECIFIED: |  | APVD XU XIANG 02JUL2015     | NAME H24B-SGR/SDR/SDRM/SGRH/SDRH/SDRHM-LB-PG/M |             |                              |
| 0 PLC ±                                |  | PRODUCT SPEC 108-137013     | SIZE A2  | CAGE CODE - | DRAWING NO. C-T16X0243XXXX00 |
| 1 PLC ±                                |  | APPLICATION SPEC 114-137013 | RESTRICTED TO -                                | SCALE 1:2   |                              |
| 2 PLC ±                                |  | WEIGHT -                    | SHEET 3 OF 4                                   |             | REV B                        |
| 3 PLC ±                                |  | Customer Drawing            |  |             |                              |
| 4 PLC ±                                |  |                             |  |             |                              |
| ANGLES ±                               |  |                             |  |             |                              |
| FINISH -                               |  |                             |  |             |                              |
| MATERIAL -                             |  |                             |  |             |                              |

THIS DRAWING IS UNPUBLISHED. RELEASED FOR PUBLICATION 20  
 © COPYRIGHT 20 BY - ALL RIGHTS RESERVED.

| REVISIONS |     |             |      |     |      |
|-----------|-----|-------------|------|-----|------|
| P         | LTR | DESCRIPTION | DATE | DWN | APVD |
| -         |     | SEE SHEET 1 | -    | -   | -    |
|           |     |             |      |     |      |
|           |     |             |      |     |      |

| PART NUMBER       | DESCRIPTION   | IG1  | IG2  | TYPE           |
|-------------------|---|------|------|----------------|
| T1650243121-000   | H24B-SGRH-LB-PG21<br>H24B HOUSING,SURFACE MOUNTED,METAL SINGLE LOCKING, PG21, HIGH CONSTRUCTION, POWDER COATED, GREY<br>H24B下壳,表面安装,彩锌单扣,PG21,高结构,灰色粉末喷涂                                    | PG21 | -    | TYPE 5<br>类型 5 |
| T1650243125-000   | H24B-SGRH-LB-M25<br>H24B HOUSING,SURFACE MOUNTED,METAL SINGLE LOCKING, M25, HIGH CONSTRUCTION, POWDER COATED, GREY<br>H24B下壳,表面安装,彩锌单扣,M25,高结构,灰色粉末喷涂                                       | M25  | -    |                |
| T1650243129-000   | H24B-SGRH-LB-PG29<br>H24B HOUSING,SURFACE MOUNTED,METAL SINGLE LOCKING, PG29, HIGH CONSTRUCTION, POWDER COATED, GREY<br>H24B下壳,表面安装,彩锌单扣,PG29,高结构,灰色粉末喷涂                                    | PG29 | -    |                |
| T1650243132-000   | H24B-SGRH-LB-M32<br>H24B HOUSING,SURFACE MOUNTED,METAL SINGLE LOCKING, M32, HIGH CONSTRUCTION, POWDER COATED, GREY<br>H24B下壳,表面安装,彩锌单扣,M32,高结构,灰色粉末喷涂                                       | M32  | -    |                |
| T1650243221-000   | H24B-SGRH-LB-2PG21<br>H24B HOUSING,SURFACE MOUNTED,METAL SINGLE LOCKING, 2PG21, HIGH CONSTRUCTION, POWDER COATED, GREY<br>H24B下壳,表面安装,彩锌单扣,2PG21,高结构,灰色粉末喷涂                                 | PG21 | PG21 |                |
| T1650243229-000   | H24B-SGRH-LB-2PG29<br>H24B HOUSING,SURFACE MOUNTED,METAL SINGLE LOCKING, 2PG29, HIGH CONSTRUCTION, POWDER COATED, GREY<br>H24B下壳,表面安装,彩锌单扣,2PG29,高结构,灰色粉末喷涂                                 | PG29 | PG29 |                |
| T1650243232-000   | H24B-SGRH-LB-2M32<br>H24B HOUSING,SURFACE MOUNTED,METAL SINGLE LOCKING, 2M32, HIGH CONSTRUCTION, POWDER COATED, GREY<br>H24B下壳,表面安装,彩锌单扣,2M32,高结构,灰色粉末喷涂                                    | M32  | M32  |                |
| T1660243121-000   | H24B-SDRH-LB-PG21<br>H24B HOUSING,SURFACE MOUNTED,METAL SINGLE LOCKING,PG21, HIGH CONSTRUCTION, PLASTIC PROTECTION COVER, POWDER COATED, GREY<br>H24B下壳,表面安装,彩锌单扣,PG21,高结构,带塑料保护盖,灰色粉末喷涂    | PG21 | -    | TYPE 6<br>类型 6 |
| T1660243129-000   | H24B-SDRH-LB-PG29<br>H24B HOUSING,SURFACE MOUNTED,METAL SINGLE LOCKING,PG29, HIGH CONSTRUCTION, PLASTIC PROTECTION COVER, POWDER COATED, GREY<br>H24B下壳,表面安装,彩锌单扣,PG29,高结构,带塑料保护盖,灰色粉末喷涂    | PG29 | -    |                |
| T1660243132-000   | H24B-SDRH-LB-M32<br>H24B HOUSING,SURFACE MOUNTED,METAL SINGLE LOCKING,M32, HIGH CONSTRUCTION, PLASTIC PROTECTION COVER, POWDER COATED, GREY<br>H24B下壳,表面安装,彩锌单扣,M32,高结构,带塑料保护盖,灰色粉末喷涂       | M32  | -    |                |
| T1660243221-000   | H24B-SDRH-LB-2PG21<br>H24B HOUSING,SURFACE MOUNTED,METAL SINGLE LOCKING,2PG21, HIGH CONSTRUCTION, PLASTIC PROTECTION COVER, POWDER COATED, GREY<br>H24B下壳,表面安装,彩锌单扣,2PG21,高结构,带塑料保护盖,灰色粉末喷涂 | PG21 | PG21 |                |
| T1660243229-000   | H24B-SDRH-LB-2PG29<br>H24B HOUSING,SURFACE MOUNTED,METAL SINGLE LOCKING,2PG29, HIGH CONSTRUCTION, PLASTIC PROTECTION COVER, POWDER COATED, GREY<br>H24B下壳,表面安装,彩锌单扣,2PG29,高结构,带塑料保护盖,灰色粉末喷涂 | PG29 | PG29 |                |
| T1660243232-000   | H24B-SDRH-LB-2M32<br>H24B HOUSING,SURFACE MOUNTED,METAL SINGLE LOCKING,2M32, HIGH CONSTRUCTION, PLASTIC PROTECTION COVER, POWDER COATED, GREY<br>H24B下壳,表面安装,彩锌单扣,2M32,高结构,带塑料保护盖,灰色粉末喷涂    | M32  | M32  |                |
| T1660243121-100   | H24B-SDRHM-LB-PG21<br>H24B HOUSING,SURFACE MOUNTED,METAL SINGLE LOCKING,PG21, HIGH CONSTRUCTION, METAL PROTECTION COVER, POWDER COATED, GREY<br>H24B下壳,表面安装,彩锌单扣,PG21,高结构,带金属保护盖,灰色粉末喷涂     | PG21 | -    |                |
| T1660243129-100   | H24B-SDRHM-LB-PG29<br>H24B HOUSING,SURFACE MOUNTED,METAL SINGLE LOCKING,PG29, HIGH CONSTRUCTION, METAL PROTECTION COVER, POWDER COATED, GREY<br>H24B下壳,表面安装,彩锌单扣,PG29,高结构,带金属保护盖,灰色粉末喷涂     | PG29 | -    |                |
| T1660243132-100   | H24B-SDRHM-LB-M32<br>H24B HOUSING,SURFACE MOUNTED,METAL SINGLE LOCKING,M32, HIGH CONSTRUCTION, METAL PROTECTION COVER, POWDER COATED, GREY<br>H24B下壳,表面安装,彩锌单扣,M32,高结构,带金属保护盖,灰色粉末喷涂        | M32  | -    | TYPE 7<br>类型 7 |
| T1660243221-100   | H24B-SDRHM-LB-2PG21<br>H24B HOUSING,SURFACE MOUNTED,METAL SINGLE LOCKING,2PG21, HIGH CONSTRUCTION, METAL PROTECTION COVER, POWDER COATED, GREY<br>H24B下壳,表面安装,彩锌单扣,2PG21,高结构,带金属保护盖,灰色粉末喷涂  | PG21 | PG21 |                |
| T1660243229-100   | H24B-SDRHM-LB-2PG29<br>H24B HOUSING,SURFACE MOUNTED,METAL SINGLE LOCKING,2PG29, HIGH CONSTRUCTION, METAL PROTECTION COVER, POWDER COATED, GREY<br>H24B下壳,表面安装,彩锌单扣,2PG29,高结构,带金属保护盖,灰色粉末喷涂  | PG29 | PG29 |                |
| T1660243232-100   | H24B-SDRHM-LB-2M32<br>H24B HOUSING,SURFACE MOUNTED,METAL SINGLE LOCKING,2M32, HIGH CONSTRUCTION, METAL PROTECTION COVER, POWDER COATED, GREY<br>H24B下壳,表面安装,彩锌单扣,2M32,高结构,带金属保护盖,灰色粉末喷涂     | M32  | M32  |                |
| PART NUMBER<br>料号 | DESCRIPTION<br>描述   | IG1  | IG2  | TYPE<br>类型     |

|  |  |                             |  |              |
|--|--|-----------------------------|--|--------------|
| THIS DRAWING IS A CONTROLLED DOCUMENT. |  | DWN DAVID LI 02 JUL 2015    | <b>STE</b> TE Connectivity                     |              |
|  |  | CHK CHRIS WANG 02 JUL 2015  |  |              |
| DIMENSIONS: mm                         |  | APVD XU XIANG 02 JUL 2015   | NAME H24B-SGR/SDR/SDRM/SGRH/SDRH/SDRHM-LB-PG/M |              |
| TOLERANCES UNLESS OTHERWISE SPECIFIED: |  | PRODUCT SPEC 108-137013     | RESTRICTED TO                                  |              |
| 0 PLC ±-                               |  | APPLICATION SPEC 114-137013 | SIZE A2  | CAGE CODE -  |
| 1 PLC ±-                               |  | WEIGHT -                    | DRAWING NO ©-T16X0243XXXX00                    |              |
| 2 PLC ±-                               |  | Customer Drawing            | SCALE 1:2                                      | SHEET 4 OF 4 |
| 3 PLC ±-                               |  |                             |  | REV B        |
| 4 PLC ±-                               |  |                             |  |              |
| ANGLES ±-                              |  |                             |  |              |
| FINISH -                               |  |                             |  |              |
| MATERIAL -                             |  |                             |  |              |

单击下面可查看定价，库存，交付和生命周期等信息

[>>TE Connectivity\(泰科\)](#)