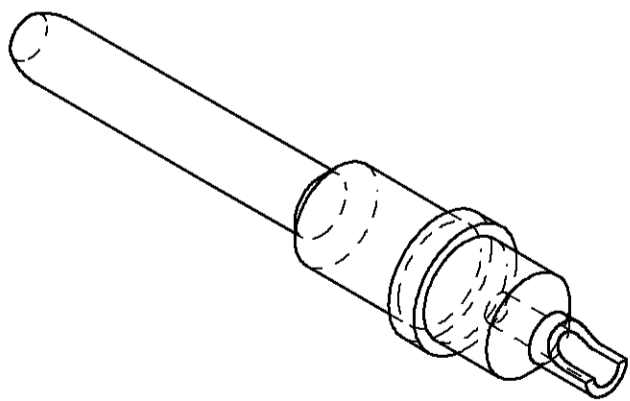
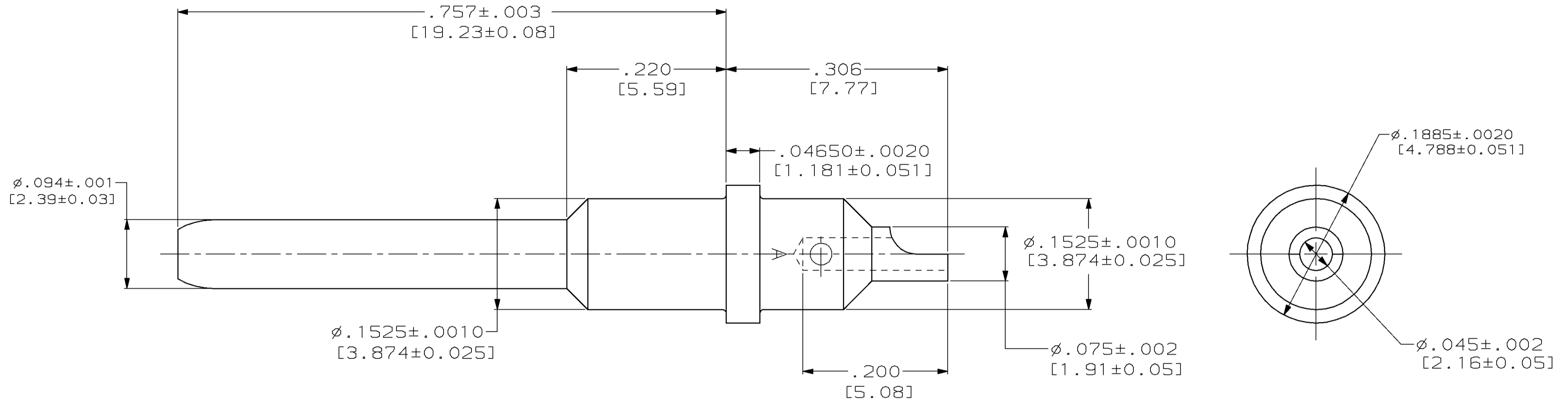


THIS DRAWING IS UNPUBLISHED. RELEASED FOR PUBLICATION
 BY AMP INCORPORATED. ALL RIGHTS RESERVED.

LOC	DIST	REVISIONS					
DF	AO	P	LTR	DESCRIPTION	DATE	DWN	APVD
		0		RELEASED PER 0600-7519-98	5-98	CT	SG
		A		REV PER 0600-7711-98 JB	10-98	JB	SG

1 MATERIAL: COPPER ALLOY PER MIL-C-39029.
 2 FINISH: PLATED GOLD .000050 [0.00127] MIN THK
 PER MIL-G-45204 OVER NICKEL .000050 [0.00127] MIN
 THK PER QQ-N-290.



1218241-2
 PART NO.

THIS DRAWING IS A CONTROLLED DOCUMENT.		DWN C.C. THOMAS 5-14-98	AMP Incorporated Harrisburg, PA 17105-3608	
DIMENSIONS: INCHES [mm]		CHK S. GLATFELTER 6-3-98	NAME S. GLATFELTER	
TOLERANCES UNLESS OTHERWISE SPECIFIED:		APVD S. GLATFELTER 6-3-98	PRODUCT SPEC	
0 PLC ±-		APPLICATION SPEC		
1 PLC ±-		-		
2 PLC ±-		-		
3 PLC ±.005 [0.13]		-		
4 PLC ±-		-		
ANGLES ±-		-		
FINISH		WEIGHT		
1		-		
2		-		
3		-		
4		-		
MATERIAL		CUSTOMER DRAWING		
1		SCALE 10:1		
2		SHEET 1 OF 1		
3		REV A		
4		RESTRICTED TO		
5		-		
6		-		
7		-		
8		-		
9		-		
10		-		
11		-		
12		-		
13		-		
14		-		
15		-		
16		-		
17		-		
18		-		
19		-		
20		-		
21		-		
22		-		
23		-		
24		-		
25		-		
26		-		
27		-		
28		-		
29		-		
30		-		
31		-		
32		-		
33		-		
34		-		
35		-		
36		-		
37		-		
38		-		
39		-		
40		-		
41		-		
42		-		
43		-		
44		-		
45		-		
46		-		
47		-		
48		-		
49		-		
50		-		
51		-		
52		-		
53		-		
54		-		
55		-		
56		-		
57		-		
58		-		
59		-		
60		-		
61		-		
62		-		
63		-		
64		-		
65		-		
66		-		
67		-		
68		-		
69		-		
70		-		
71		-		
72		-		
73		-		
74		-		
75		-		
76		-		
77		-		
78		-		
79		-		
80		-		
81		-		
82		-		
83		-		
84		-		
85		-		
86		-		
87		-		
88		-		
89		-		
90		-		
91		-		
92		-		
93		-		
94		-		
95		-		
96		-		
97		-		
98		-		
99		-		
100		-		

单击下面可查看定价，库存，交付和生命周期等信息

[>>TE Connectivity\(泰科\)](#)