

NOTES

1. All dimensions are in  $\frac{\text{Inches}}{\text{(millimeters)}}$
2. Dimensions appearing in table are as follows:  
a - AS SUPPLIED    b - AFTER UNRESTRICTED RECOVERY
3. Coating is optional. As supplied dimensions appearing in table are for uncoated parts. When coating is added, entry diameters will be reduced .06 max.
4. Molding ports are optional. When specified, by -00 modification number, they will be located as shown. A plug and riser will be supplied with each part.

If this document is printed it becomes uncontrolled.  
Check for the latest revision.

ORDERING INFORMATION

Matl. No.	Description	Raychem RT Spec
-3	Polyolefin, Semi-Rigid	RT-301
-4	Polyolefin, Flexible	RT-1304
-5	Elastomer, Flexible	RT-501
-25	Elastomer, Semi-Rigid	RT-1325
/42	Adhesive, S-1017 (for -3, -4 and -5 material only)	

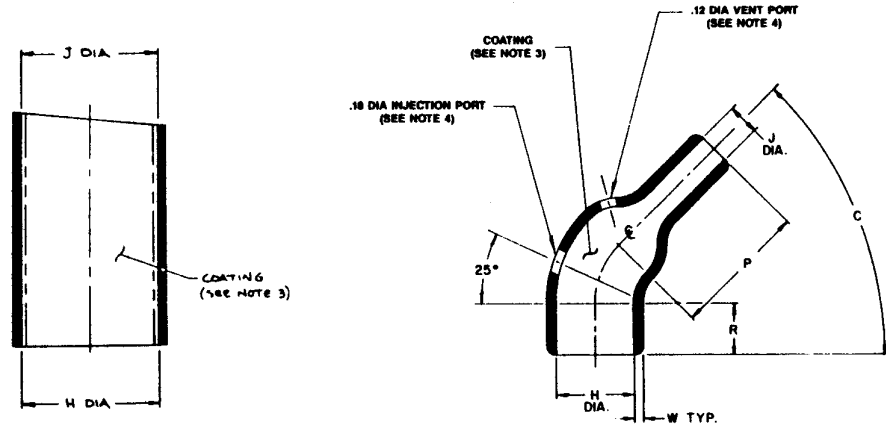
Add material number as suffix to part number;

Example 1 - Order 242A142-3 when polyolefin, semi-rigid is required.

Add coating slash number as suffix to material dash number or modification number when coating is required.

Example 2 - Order 242A142-X/42 or 242A142-X-00/42 when S-1017 adhesive is required.

Example 3 - Order 242A142-X-00 when molding ports are required.



AS SUPPLIED

AFTER UNRESTRICTED RECOVERY

TABLE OF DIMENSIONS

PART NUMBER	H		J		P	R	W	C		This Boot Fits MIL-C-5015 Shell Size	This Boot Fits MIL-C-26482 Shell Size
	Min a	Max b	-3, -4, -25 Min a	-5 Min a				±10° a	±5° b		
242A142	$\frac{1.22}{[31,0]}$	$\frac{.70}{[17,8]}$	$\frac{1.22}{[31,0]}$	$\frac{.76}{[19,3]}$	$\frac{.28}{[7,1]}$	$\frac{1.04}{[26,4]}$	$\frac{.32}{[8,1]}$	$\frac{.07}{[1,78]}$	90    45	14	12, 14

**Raychem**

Raychem Corporation  
300 Constitution Drive  
Menlo Park, CA 94025-1164  
415) 361 6055

E.O.	REV	DATE	DESCRIPTION
HOP	A	9/87	RETYPE
SLJ	B	2/83	R WAS .38
SLJ	C	6/88	ADD -4, -5, -25 & S-1017
SLJ	D	2/89	ADD "AS SUPPLIED" VIEW

DRN	DD
CHK'D	KT
AUTH	RW
AUTH	HP

PART DESCRIPTION  
BOOT, 45°

PART NO.	REV LTR
242A142	D
DATE	FEBRUARY 27, 1989

单击下面可查看定价，库存，交付和生命周期等信息

[>>TE Connectivity\(泰科\)](#)