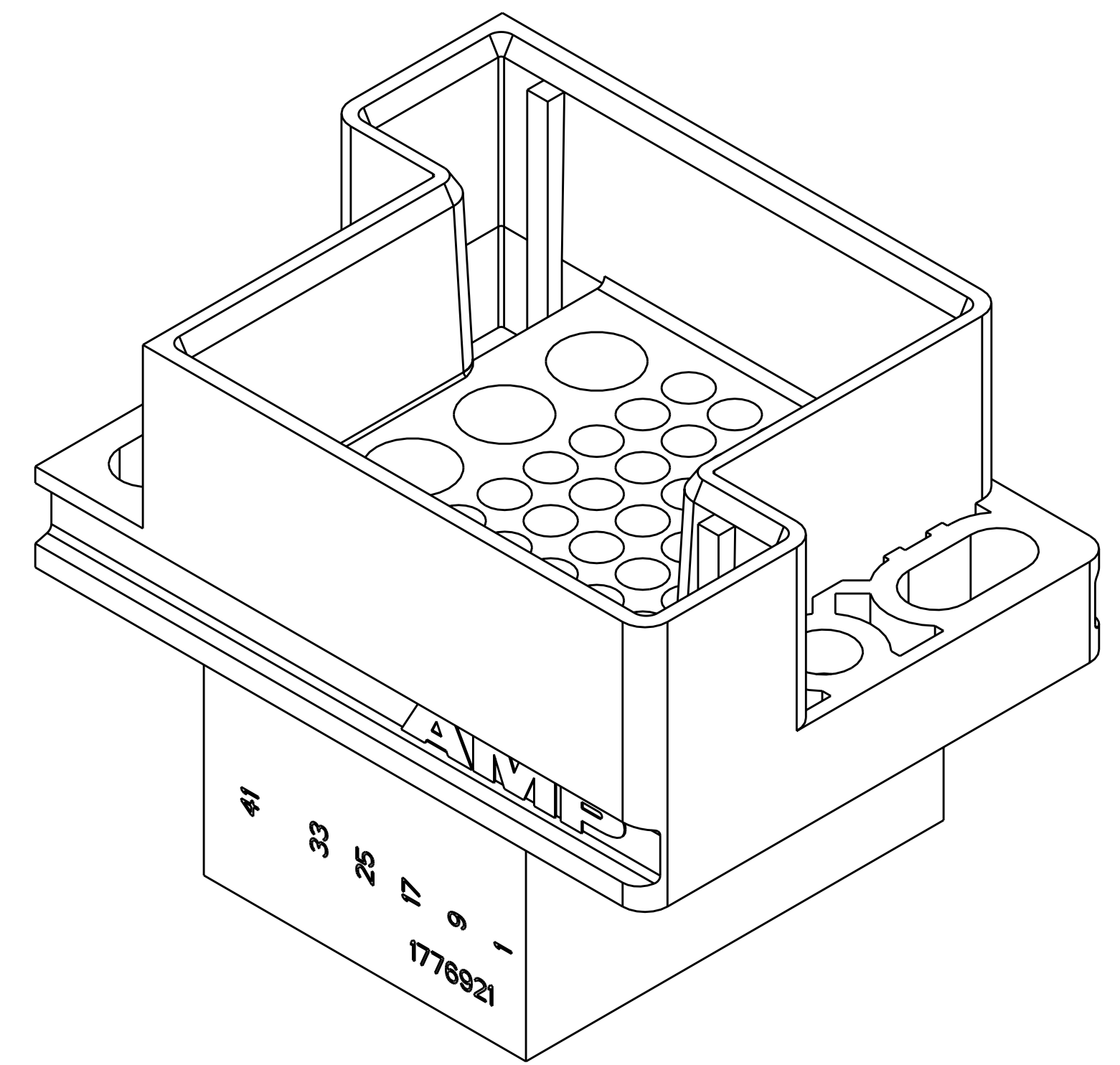
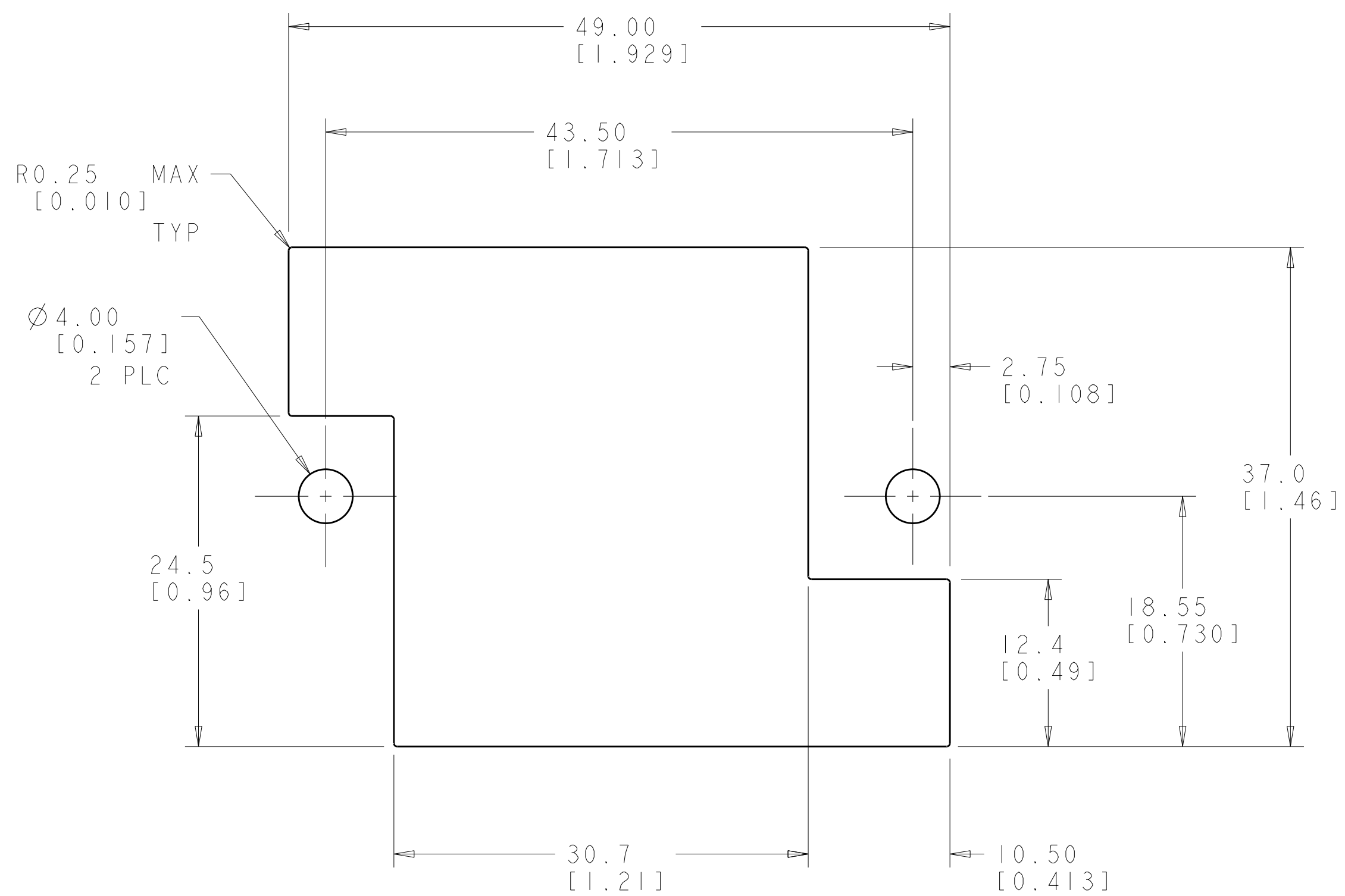
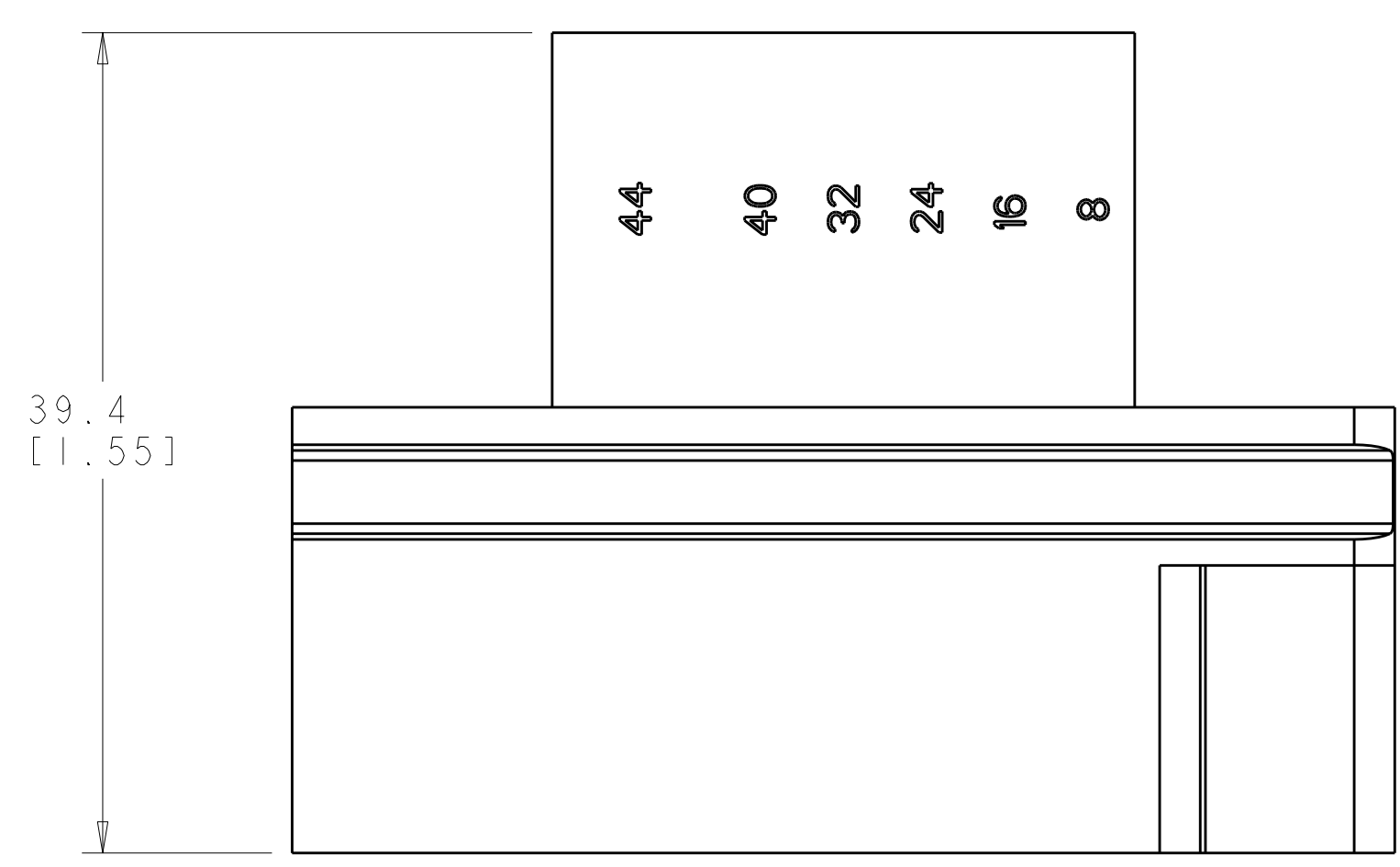
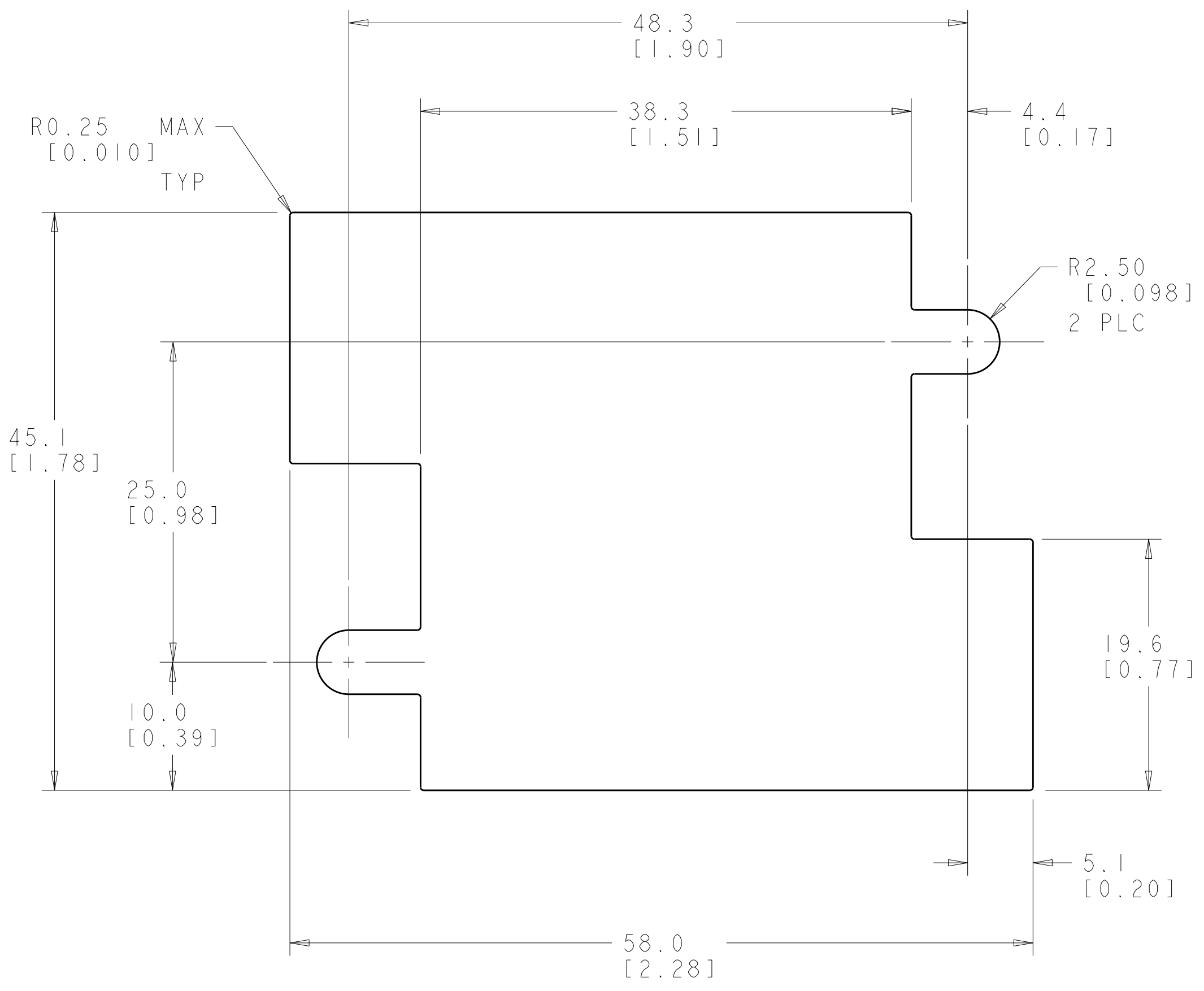
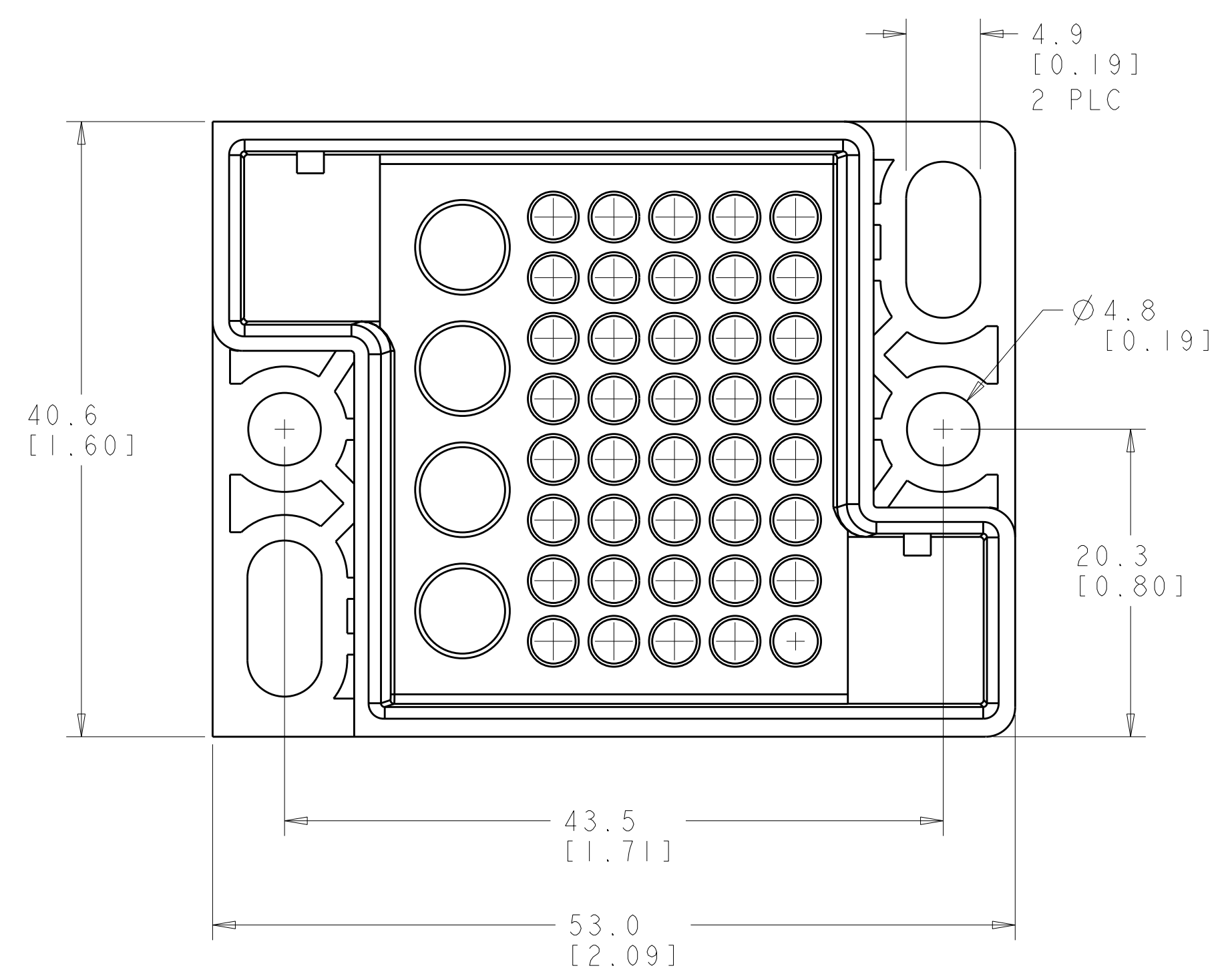


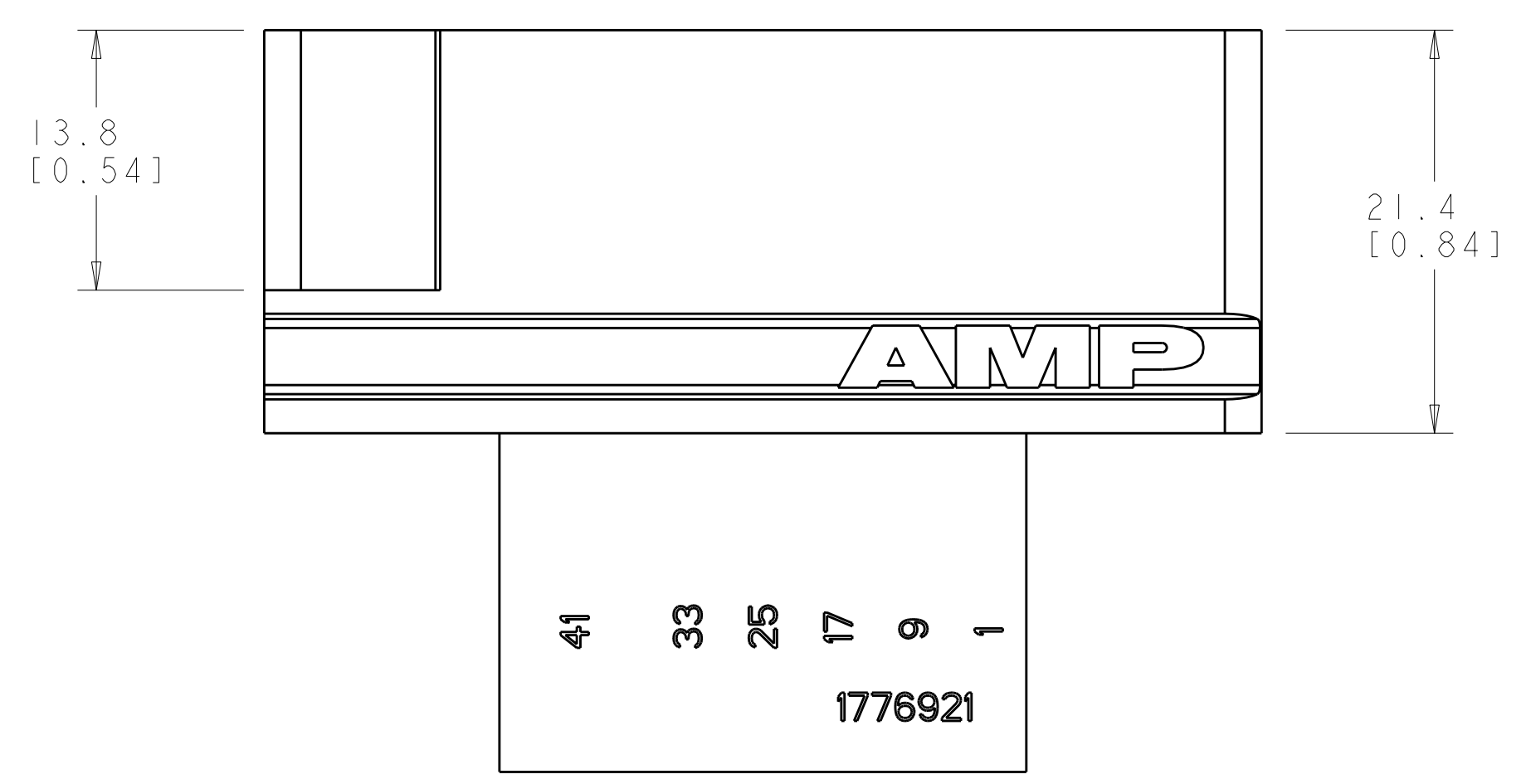
LOC	DIST	REV	DESCRIPTION	DATE	DWN	APVD
FT	0	A	RELEASED	200CT2006	SW	GS



RECOMMENDED STATIONARY MOUNT PANEL CUTOUT
EXTERNAL VIEW
SCALE 4:1



RECOMMENDED FLOAT MOUNT PANEL CUTOUT
EXTERNAL VIEW
SCALE 4:1



1. POSITIONS 1-40 ARE FOR SIZE 16 CONTACTS.
2. POSITIONS 40-44 ARE FOR 3mm CONTACTS.
3. INSERTS ARE NOT REQUIRED WHEN FLOAT MOUNTING.
4. ALL DIMENSIONS EXCEPT PANEL CUTOUTS ARE REFERENCE ONLY.

1776921-1
PART NUMBER

<small>THIS DRAWING IS UNPUBLISHED. RELEASED FOR PUBLICATION. BY TYCO ELECTRONICS CORPORATION, ALL RIGHTS RESERVED.</small>		DWN: S. WELDON 200CT2006 CHK: G. STEINHÄUER 200CT2006 APVD: G. STEINHÄUER 200CT2006	Tyco Electronics Harrisburg, PA 17105-3608
DIMENSIONS: mm [INCHES]	TOLERANCES UNLESS OTHERWISE SPECIFIED: 0 PLC ± 1 PLC ± 2 PLC ± 3 PLC ± 4 PLC ± ANGLES ±	NAME: RECEPTACLE HOUSING, 44 POSITION, Multi Pin Plus, AMPower PRODUCT SPEC: APPLICATION SPEC: WEIGHT: CUSTOMER DRAWING	SIZE: A1 CAGE CODE: 00779 DRAWING NO: C-1776921 SCALE: 3:1 SHEET: 1 OF 1 REV: A

单击下面可查看定价，库存，交付和生命周期等信息

[>>TE Connectivity\(泰科\)](#)