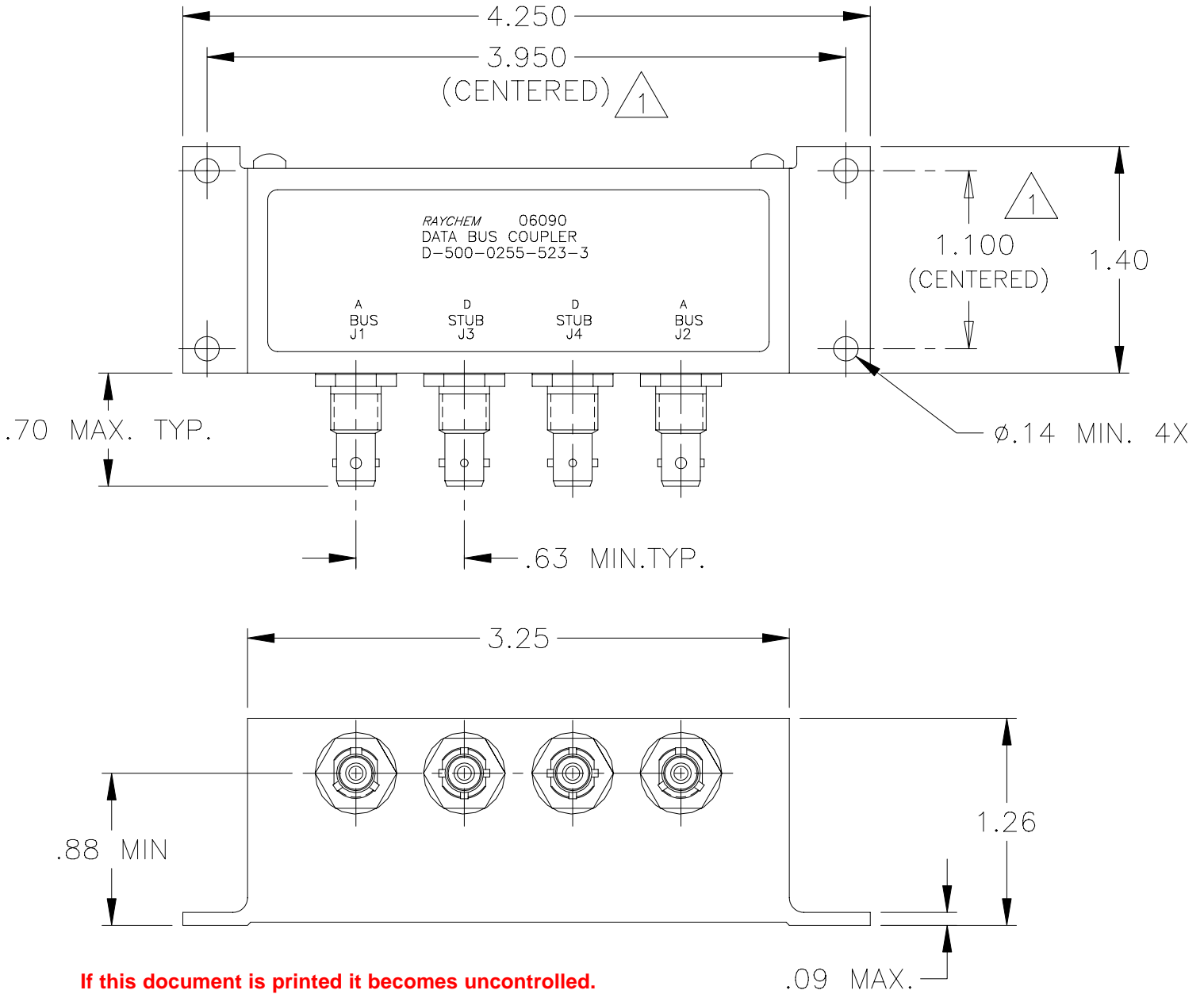


REVISIONS			
LTR	DESCRIPTION	DATE	APPROVED
NC	RELEASED PER ECN# T-20899	96JUL16	Z. TEMAN

NOTES:

1 HOLE PATTERN MACHINED SYMMETRIC TO MOUNTING FLANGE.



**If this document is printed it becomes uncontrolled.
Check with the web for latest revision.**

SPECIFICATION CONTROL DRAWING

UNLESS OTHERWISE SPECIFIED
DIMENSIONS ARE IN INCHES.
METRIC DIMENSIONS ARE
IN BRACKETS.

DECIMALS
.XXX ±.010 [— mm]
.XX ±.03 [— mm]

ANGLES
.X — ± —

WEIGHT:
[138g MAX]

DRAWN	Z.E.T.	96 JUL 16
CHECKED		
APPROVED		
APPROVED	Z.TEMAN	96 JUL 16
CAD NAME	004914-1.DWG	
THIRD ANGLE PROJECTION		

Raychem RAYCHEM CORPORATION
300 CONSTITUTION DRIVE
MENLO PARK, CALIFORNIA 94025

TITLE
2 STUB
DATA BUS BAYONET COUPLER
WITH TRIAXIAL CONNECTORS

SIZE	CODE IDENT. NO.	DWG. NO.	REV
A	06090	D-500-0255-523-3	NC

Downloaded From Oneyac.com HIS DRAWING SHEET 1 OF 2

1.0 INTERMATEABILITY

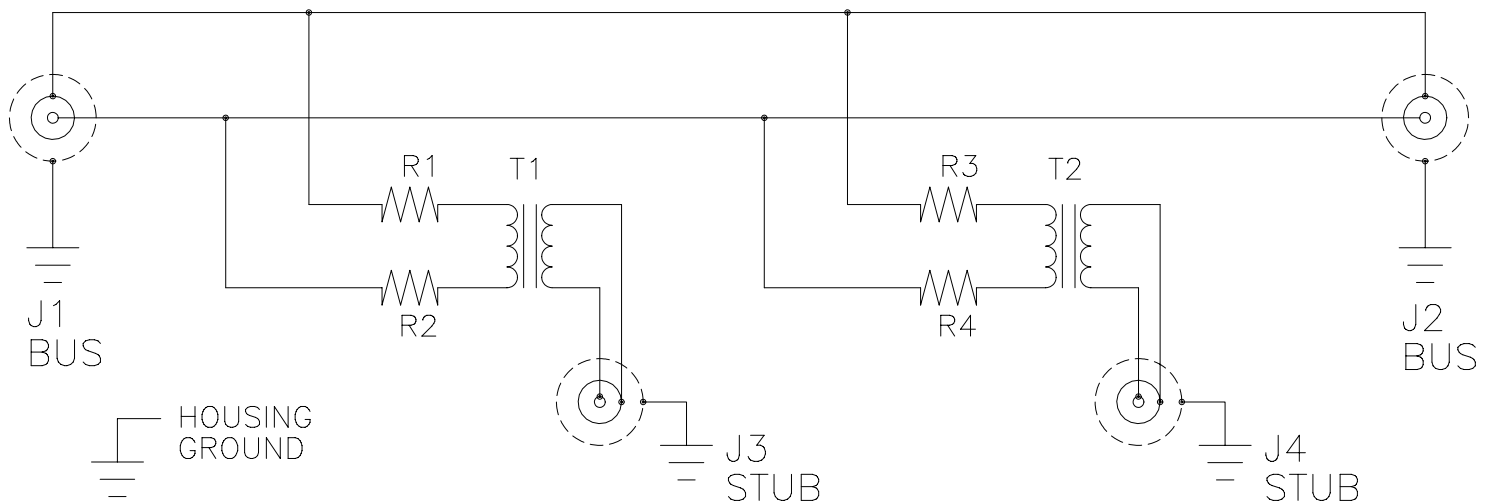
CONNECTOR BOX JACK	MATING PLUG	KEY
DK-621-0434-1S	DK-621-0433-1P	A
DK-621-0440-4S	DK-621-0439-4P	D

2.0 PERFORMANCE

- 2.1 THIS COUPLER IS DESIGNED TO MEET THE APPLICABLE FUNCTIONAL REQUIREMENT OF RAYCHEM SPECIFICATION D-6021.
- 2.2 THE COUPLER SHALL OPERATE UNDER ANY OF THE ENVIRONMENTAL SERVICE CONDITIONS AS SPECIFIED IN MIL-E-5400, CLASS ∇ UPGRADED TO 125°C CONTINUOUS OPERATION.
- 2.3 ALTITUDE: SEA LEVEL TO 75,000 FEET
- 3.0

BUS JACKS J1 AND J2	STUB JACKS J3 AND J4
DK-621-0434-1S "A"	DK-621-0440-4S "D"

**If this document is printed it becomes uncontrolled.
Check with the web for latest revision.**

SCHEMATIC DIAGRAM

CAD NAME: 004914-2	DRAWN	Z.E.T.	96 JUL 15	SIZE	CODE IDENT. NO.	DWG. NO.	REV
	ISSUED	Downloaded From Oneyac.com		A	06090	D-500-0255-523-3	NC
						HIS DRAWING	SHEET 2 OF 2

单击下面可查看定价，库存，交付和生命周期等信息

[>>TE Connectivity\(泰科\)](#)