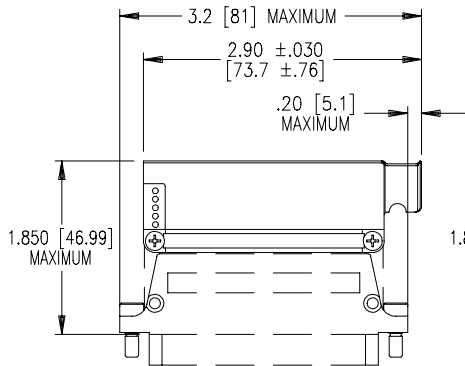
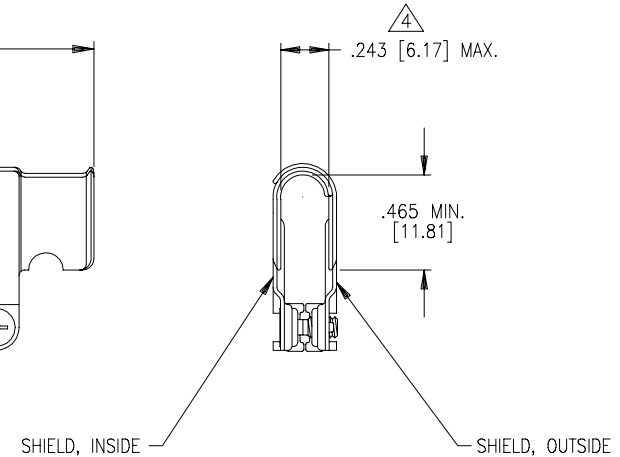
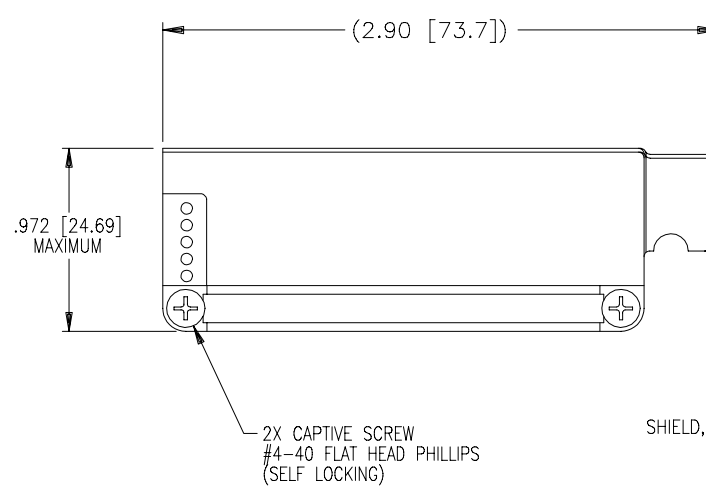
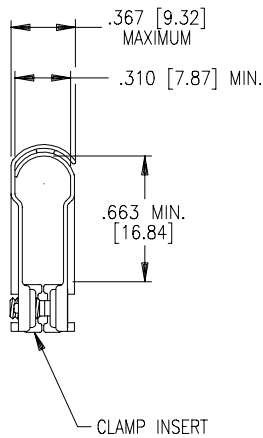


NOTES:

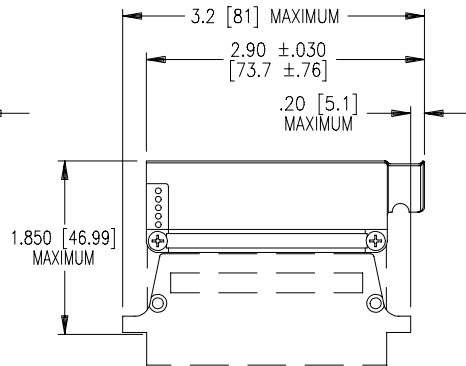
1. MATERIAL:
 - A) SHIELD: PHOSPHOR BRONZE PER QQ-B-750
 - B) CAPTIVE SCREW: STAINLESS STEEL PER QQ-S-763, 300 SERIES
 - C) CLAMP INSERT: FLUOROSILICONE ELASTOMER PER MIL-R-25988
2. FINISH: SEE TABULATION.
3. APPLICABLE RAYCHEM PART NUMBER IS MARKED ON BACKSHELL PACKAGE.
4. WHEN SCREWS ARE TIGHTENED TO ACHIEVE 0.1 INCH SPACING BETWEEN SHELL HALVES (EAR THICKNESS) THIS DIMENSION SHALL BE 0.225 MIN.
5. THIS BACKSHELL IS FOR USE WITH RAYCHEM MTC SERIES CONNECTORS: 2 INCH PLUG OR 2 INCH RECEPTACLE AS SHOWN.

REVISIONS			
LTR	DESCRIPTION	DATE	APPROVED
N/C	INITIAL RELEASE PER ECN #T-10895	88OCT13	J.B.
A	REVISED PER DCR# T-29123	4/16/2001	M.HIGGY

If this document is printed it becomes uncontrolled.
Check with the web for latest revision.



(2 INCH PLUG ASSEMBLY INSTALLATION DATA)



(2 INCH RECEPTACLE ASSEMBLY INSTALLATION DATA)

PART NUMBER	DESCRIPTION	FINISH	
		SHIELD	CAPTIVE SCREW
CHA-0226	AS SHOWN HEREON	ENTIRE SHIELD IS TIN PLATED PER MIL-T-10727 OVER NICKEL PER MIL-C-26074	PASSIVATE PER QQ-P-35
CHA-0226-003	AS SHOWN HEREON EXCEPT CAPTIVE SCREW IS CADMIUM PLATED		CADMIUM PLATED PER QQ-P-416

SPECIFICATION CONTROL DRAWING

UNLESS OTHERWISE SPECIFIED DIMENSIONS ARE IN INCHES. METRIC DIMENSIONS ARE IN BRACKETS.	DRAWN	LUTTICKEN	88OCT06	tyco /Electronics/Raychem WIRE AND HARNESSING PRODUCTS 307 CONSTITUTION DRIVE MENLO PARK, CALIFORNIA 94025
	CHECKED			
	APPROVED	J.BLAIR	88OCT11	
	APPROVED			
DECIMALS				TITLE
.XXX ±	mm			RIGHT ANGLE BREAKOUT ASSEMBLY
.XX ±				(2.9 LONG X .972 HIGH)
.X ±				MTC SERIES
ANGLES				SIZE
.X ±				C
WEIGHT:				CODE IDENT. NO.
				06090
				DWG. NO.
				CHA-0226-XXX
				REV
				A
				DO NOT SCALE THIS DRAWING
				SHEET 1 OF 1

单击下面可查看定价，库存，交付和生命周期等信息

[>>TE Connectivity\(泰科\)](#)