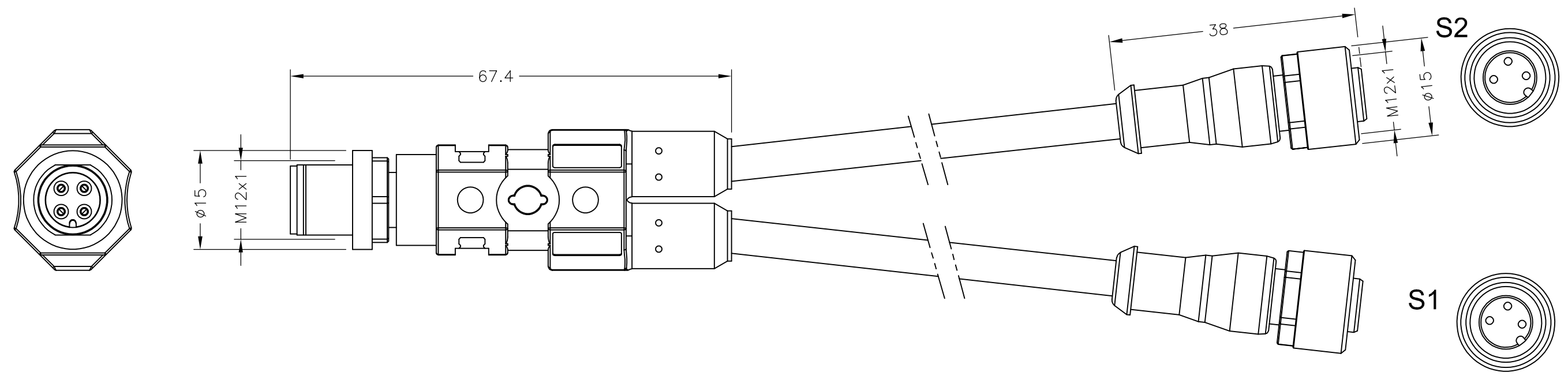
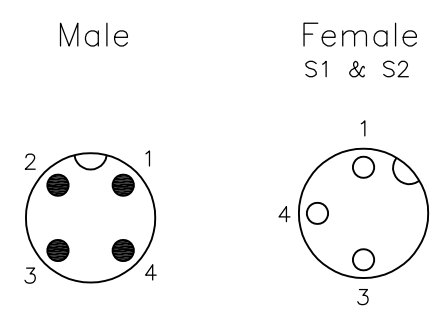


THIS DRAWING IS UNPUBLISHED. RELEASED FOR PUBLICATION  
 © COPYRIGHT - By - ALL RIGHTS RESERVED.

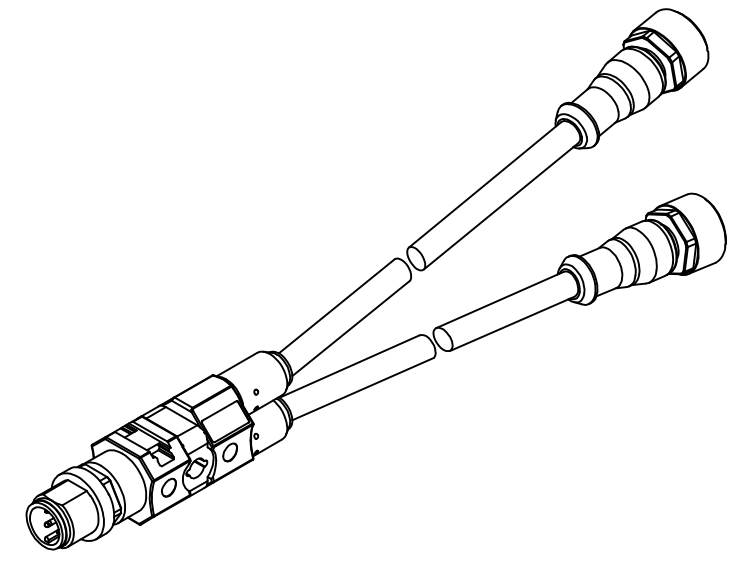
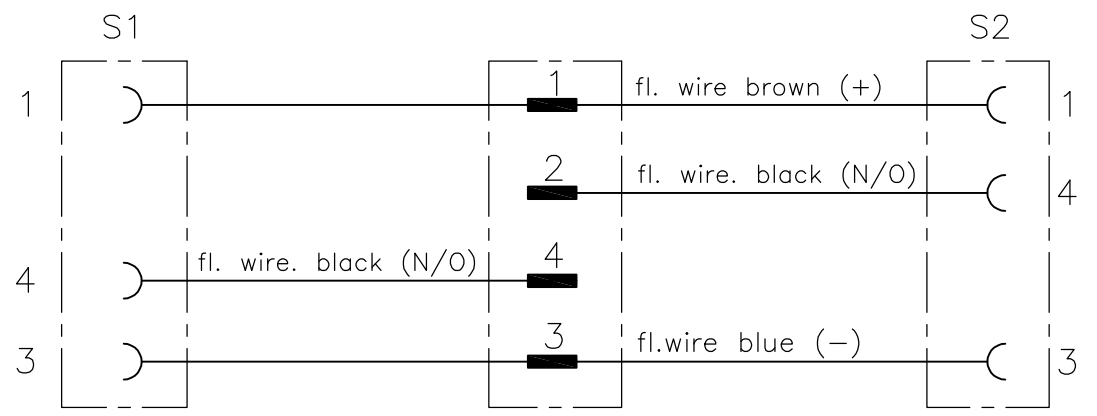
| P  | LTR           | DESCRIPTION | DATE      | DWN | APVD |
|----|---------------|-------------|-----------|-----|------|
| A1 | ECR-14-015049 |             | 13OCT2014 | GSK | BvH  |
| A2 | ECR-15-000154 |             | 07JAN2015 | GSK | BvH  |
| A3 | ECR-16-003945 |             | 16MAR2016 | GSK | BvH  |



Contact Layout



Schematic diagram



|                |             |
|----------------|-------------|
| 3 POS PVC 2,0M | 1-2273107-5 |
| 3 POS PVC 1,5M | 1-2273107-4 |
| 3 POS PVC 1,0M | 1-2273107-3 |
| 3 POS PVC 0,6M | 1-2273107-2 |
| 3 POS PVC 0,3M | 1-2273107-1 |
| 3 POS PUR 2,0M | 2273107-5   |
| 3 POS PUR 1,5M | 2273107-4   |
| 3 POS PUR 1,0M | 2273107-3   |
| 3 POS PUR 0,6M | 2273107-2   |
| 3 POS PUR 0,3M | 2273107-1   |
| DESCRIPTION    | TE PN       |

|   |  |                                   |  |  |
|---|--|-----------------------------------|--|--|
| THIS DRAWING IS A CONTROLLED DOCUMENT.                                      |  | DWN 23AUG2013<br>SATHISH KUMAR .G | TE Connectivity                                |  |
| DIMENSIONS: mm  |  | CHK 23AUG2013<br>B.VELDHOVEN      |  |  |
| TOLERANCES UNLESS OTHERWISE SPECIFIED:                                      |  | APVD 23AUG2013<br>A.VAN ZANDVOORT | NAME<br>M12 Y CONN MALE TO 2XM12 FEMALE A      |  |
| 0 PLC ± -<br>1 PLC ± -<br>2 PLC ± -<br>3 PLC ± -<br>4 PLC ± -<br>ANGLES ± - |  | PRODUCT SPEC<br>108-19483         | SIZE CAGE CODE DRAWING NO RESTRICTED TO        |  |
| MATERIAL -  |  | FINISH -                          | A3 00779 C-2273107                             |  |
|   |  | WEIGHT                            | CUSTOMER DRAWING SCALE NTS SHEET 1 OF 1 REV A3 |  |

单击下面可查看定价，库存，交付和生命周期等信息

[>>TE Connectivity\(泰科\)](#)