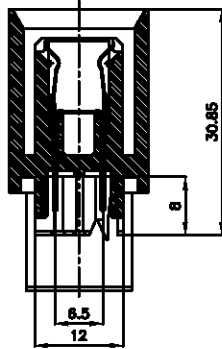


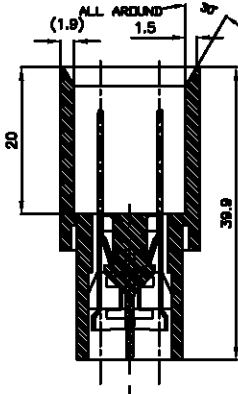
THIS DRAWING IS UNCLASSIFIED  
EXCEPT FOR PORTION  
COPYRIGHT BY TYCO ELECTRONICS CORPORATION. ALL RIGHTS RESERVED.

REV	DATE	DESCRIPTION	SIZE	BY	APP
ES	00				
A		REVISED FB00-0217-04	180E004	H.H	I.E

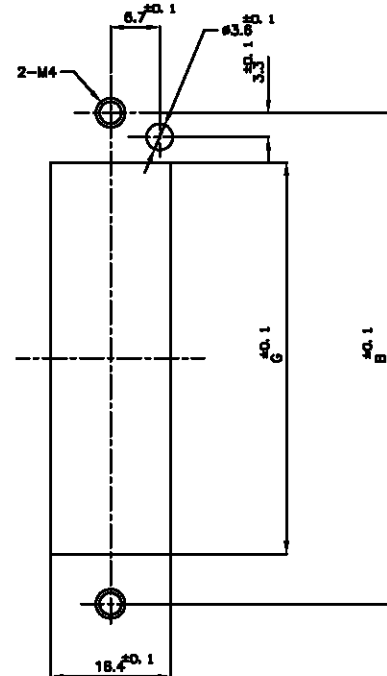
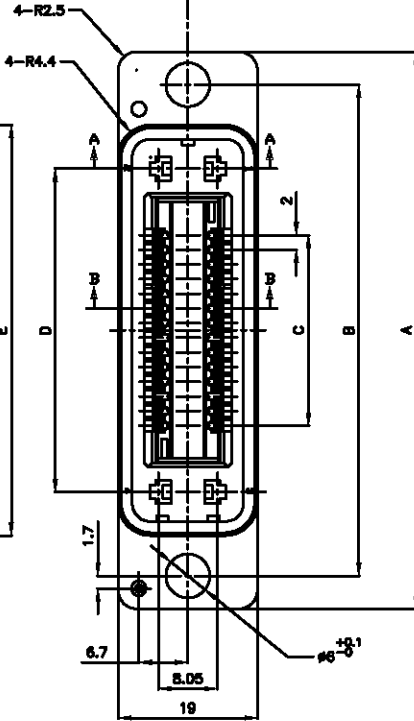
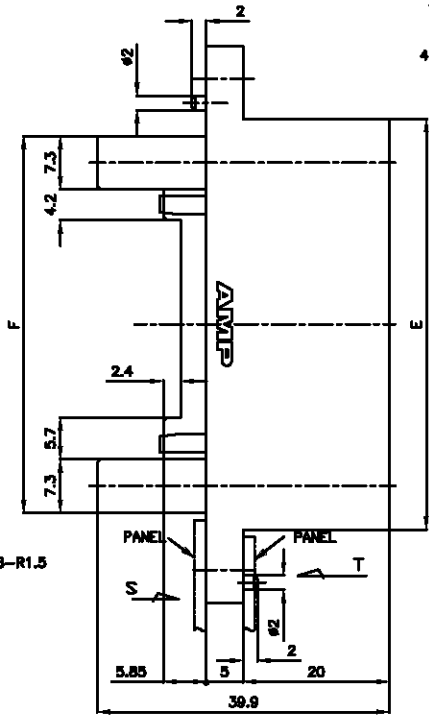
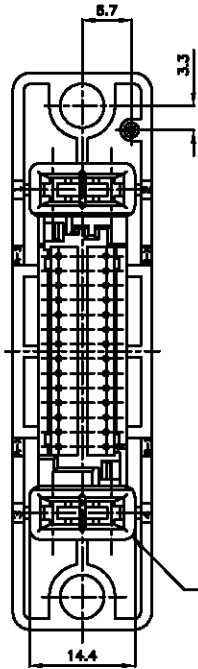
SIGNAL SECTION SECTION B-B



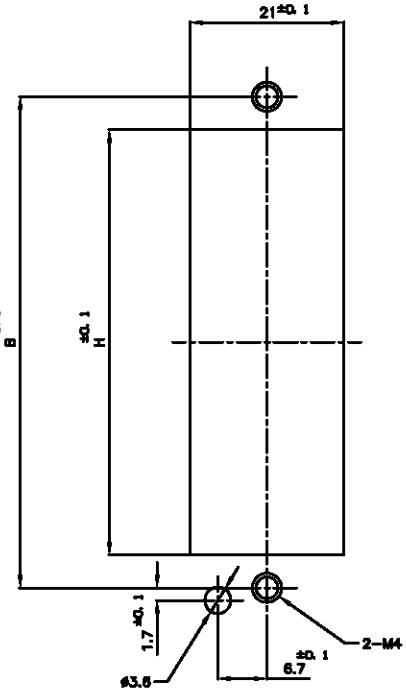
POWER SECTION SECTION A-A



PANEL CUT DIMENSIONS



VIEW S



VIEW T

NOTES

- MATERIAL  
HOUSING THERMO PLASTIC  
CONTACTS COPPER ALLOY
- CONTACT FINISH  
MATING SIDE NICKEL PL. ALL OVER GOLD PL.  
CT MATING SIDE NICKEL PL. ALL OVER MATTE TIN PL.
- APPLIED POWER CONTACT P/N

FINISH	AWG	STRIP	LOOSE PIECE
GOLD PL.	#16-#20	1-179321-3	
TIN PL.	#16-#20	1-179321-2	
	#20-#24	1-179322-2	

△ P: NUMBER OF POWER CONTACT (UNLOADED)  
S: NUMBER OF SIGNAL CONTACT (PRELOADED)

2- 1 -B	1- 1 -4	2- 1 -B	58	53.4	51.4	56	44.1	26	67	76	4-2B	2- 1 -B
2-175133-0	1-173977-0	2-292185-0	50	45.4	43.4	48	36.1	18	59	68	4-2D	2-292181-0
APPLIED CT HELDER P/N	APPLIED CT COIL P/N	MATING COUNTER P/N	H	G	F	E	D	C	B	A	PDS (P-S)	P/N

THIS DRAWING IS A CONTROLLED DOCUMENT.

DESIGNER: MM	TOLERANCE UNLESS OTHERWISE SPECIFIED
10μ ±0.2	
30μ > 10 ±0.25	
100μ > 30 ±0.3	
ANGLE ±3'	
SEE NOTE	SEE NOTE

FOR J. LIANG	OFFICE	SHENZHOU	Type Electronics Corporation
BY S. YAO	OFFICE	SHENZHOU	Shenzhen, P.R.China, 200233
CHKD T. SASAKI	OFFICE	SHENZHOU	
PRIORITY SPEC	108-60022	HYBRID MINI DRAWER CONN. PLUG ASS'Y	
APPROVED BY 114-5102	114-5238	TRK: A2	DATE CODE: 00779
ISSUED BY 114-5238		OWNING NO: C-292181	RESERVED TO: -
CUSTOMER DRAWING	SCALE: 2:1	SHEET: 1	TOTAL: 1

单击下面可查看定价，库存，交付和生命周期等信息

[>>TE Connectivity\(泰科\)](#)