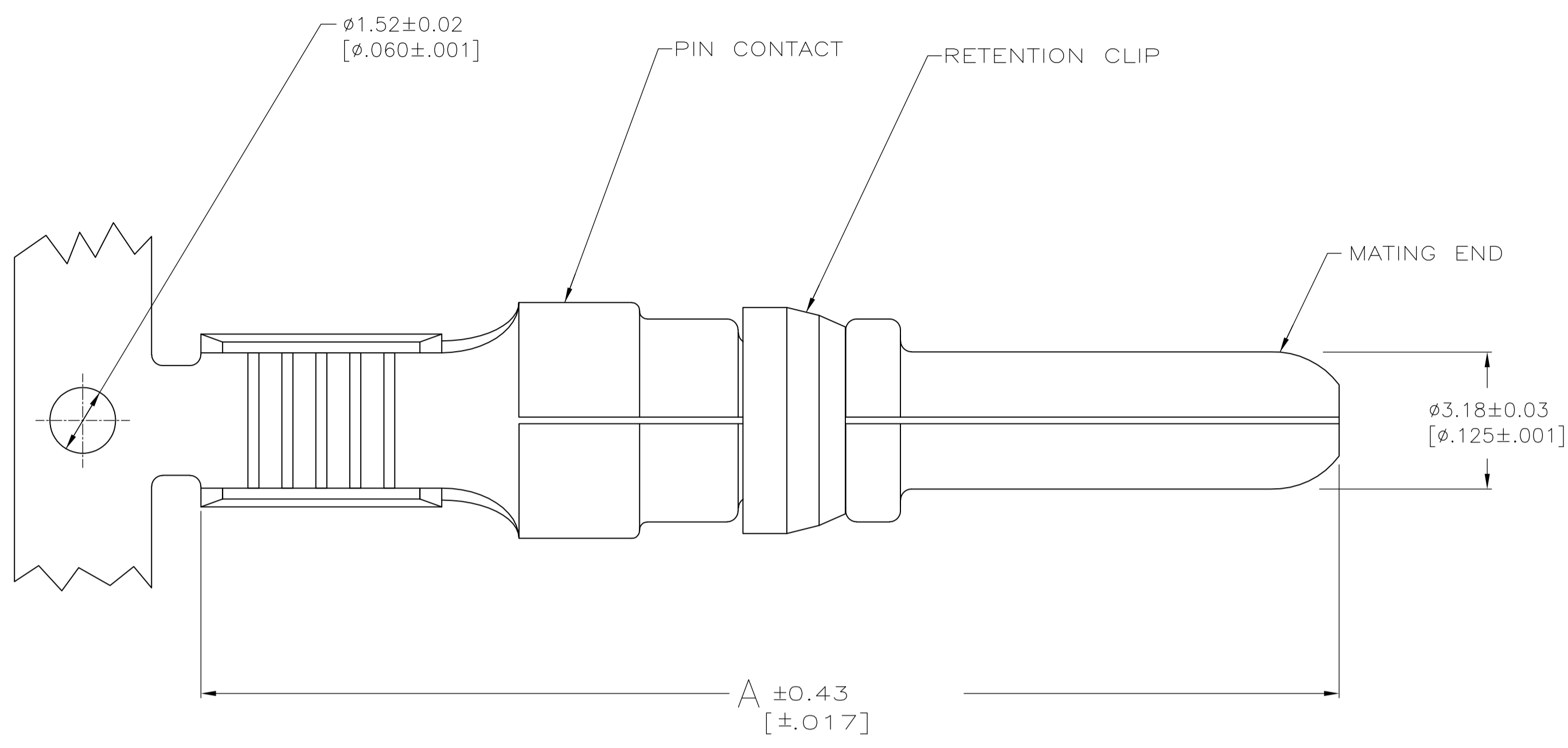
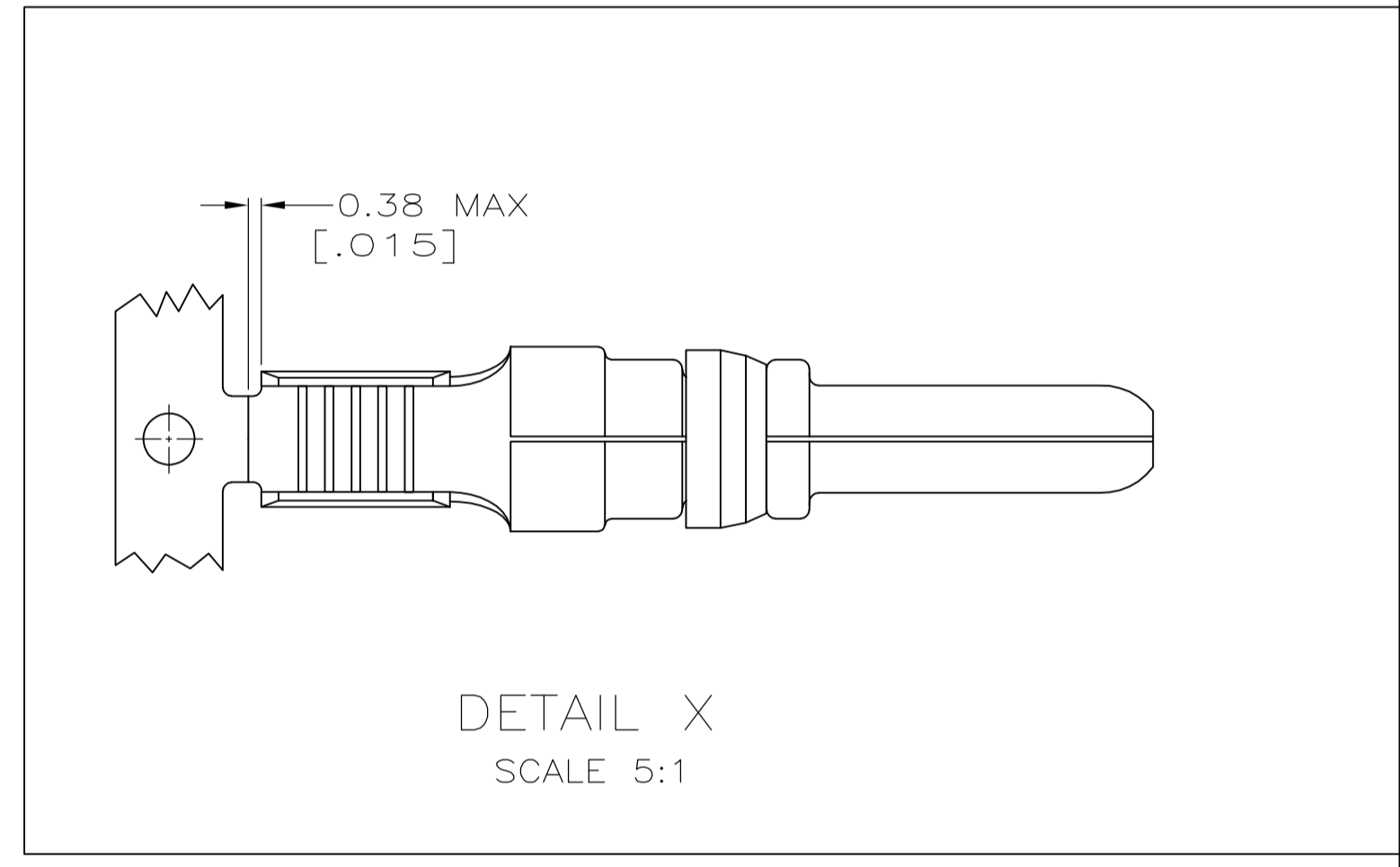
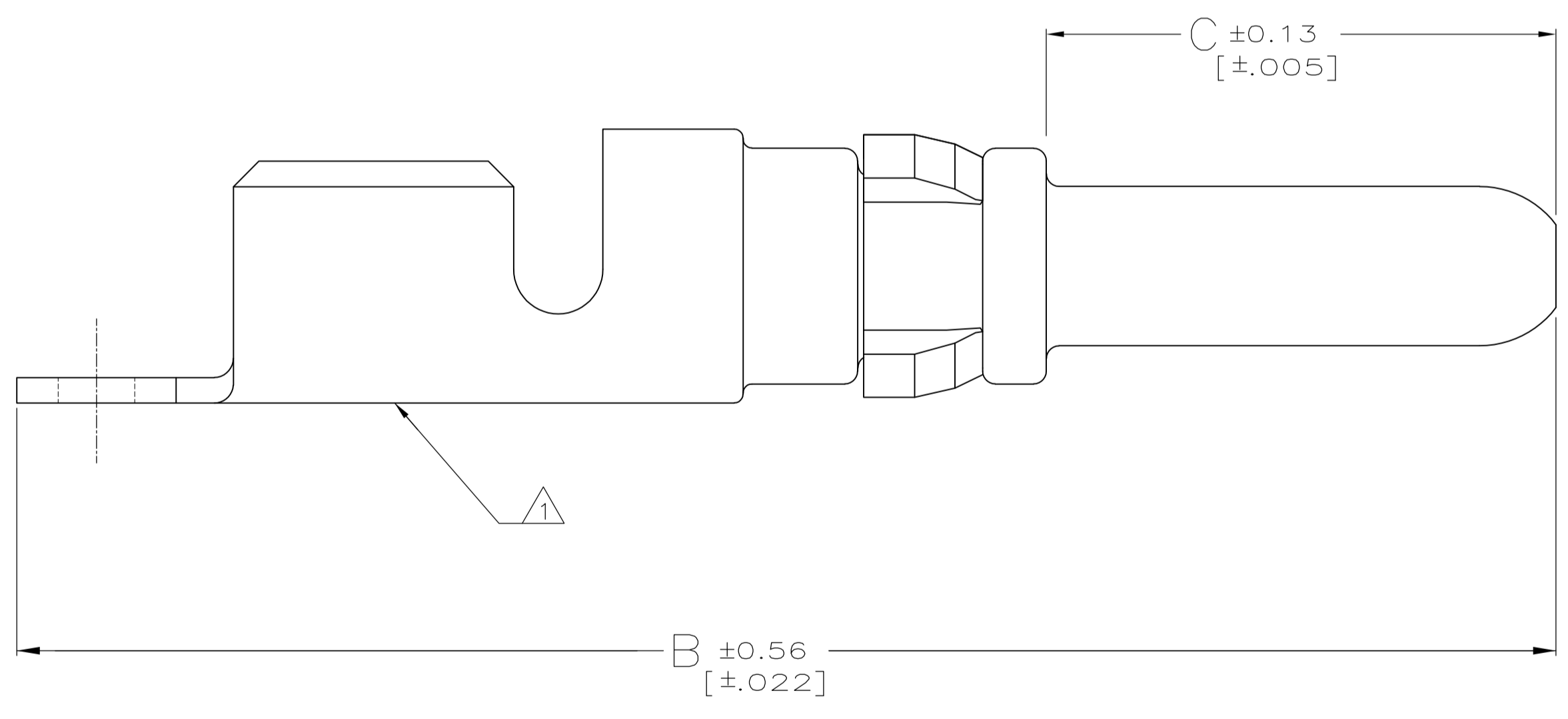


REVISIONS					
P	LTR	DESCRIPTION	DATE	DWN	APVD
B2		REVISED PER ECO-16-004223	19JUL2016	NK	MZ



- 1 WIRE SIZE AND LOGO APPEAR ON OUTSIDE OF WIRE BARREL.
- 2 RETENTION CLIP: PHOSPHOR BRONZE PER QQ-B-750.
PIN CONTACT: COPPER PER QQ-C-576.
- 3 PIN CONTACT: $0.76\mu\text{m} [.000030]$ MIN GOLD PER MIL-G-45204 ON CONTACT MATING END, GOLD FLASH ON REMAINDER, ALL OVER $1.27\mu\text{m} [.000050]$ MIN NICKEL PER QQ-N-390.
RETENTION CLIP: $2.54\mu\text{m} [.000100]$ MIN NICKEL PER QQ-N-290.
- 4 PIN CONTACT: $5.08\mu\text{m} [.000200]$ MIN SILVER PER QQ-S-365 ON CONTACT MATING END, $1.27\mu\text{m} [.000050]$ MIN SILVER ON REMAINDER, ALL OVER $1.27\mu\text{m} [.000050]$ MIN NICKEL PER QQ-N-290.
RETENTION CLIP: $2.54\mu\text{m} [.000100]$ MIN NICKEL PER QQ-N-290.



OBSOLETE	3	12.32 [.485]	-	28.52 [1.123]	DETAIL X	-213845-8-
OBSOLETE	4	12.32 [.485]	-	28.52 [1.123]	DETAIL X	-213845-7-
	3	12.32 [.485]	32.84 [1.293]	28.52 [1.123]	-	213845-6
	4	12.32 [.485]	32.84 [1.293]	28.52 [1.123]	-	213845-5
	3	10.16 [.400]	-	26.37 [1.038]	DETAIL X	213845-4
	4	10.16 [.400]	-	26.37 [1.038]	DETAIL X	213845-3
	3	10.16 [.400]	30.68 [1.208]	26.37 [1.038]	-	213845-2
	4	10.16 [.400]	30.68 [1.208]	26.37 [1.038]	-	213845-1
FINISH		C	B	A	LOOSE PIECE	PART NUMBER

THIS DRAWING IS A CONTROLLED DOCUMENT.

DIMENSIONS: mm [INCHES]	TOLERANCES UNLESS OTHERWISE SPECIFIED:	DIN W.G.LENKER 30 JUL 96 CHK R.STONE 05 AUG 96 APVD G.STEINHÄUER 06 AUG 96 NAME	STE TE Connectivity
0 PLC ± - 1 PLC ± - 2 PLC ± - 3 PLC ± - 4 PLC ± - ANGLES ± -	SEE TABLE	PRODUCT SPEC APPLICATION SPEC	PIN CONTACT ASSEMBLY 14-12 AWG, .125 POWERBAND
MATERIAL	FINISH	SIZE A1	WEIGHT C=213845
		CUSTOMER DRAWING	SCALE 10:1 SHEET 1 OF 1 REV B2

单击下面可查看定价，库存，交付和生命周期等信息

[>>TE Connectivity\(泰科\)](#)