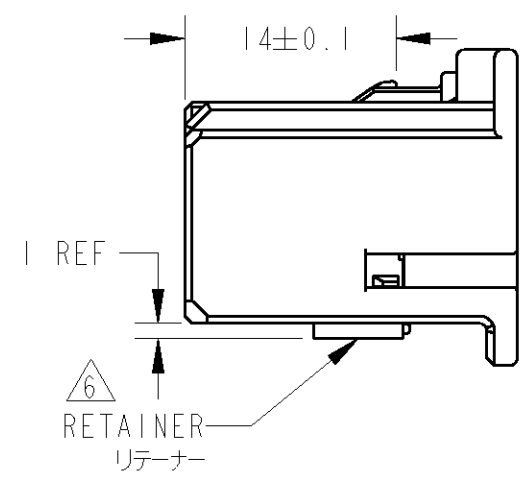
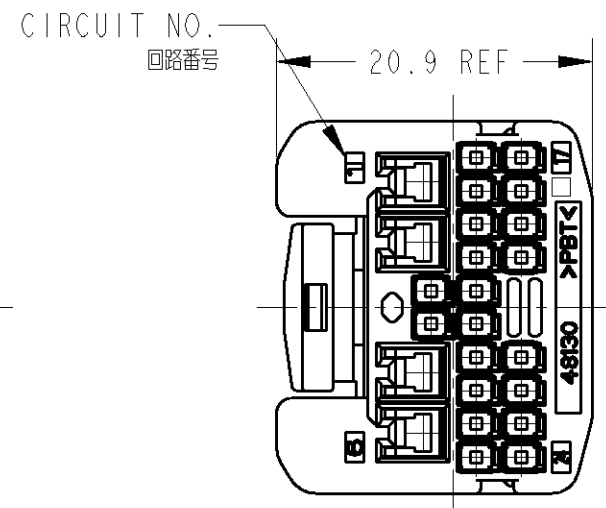
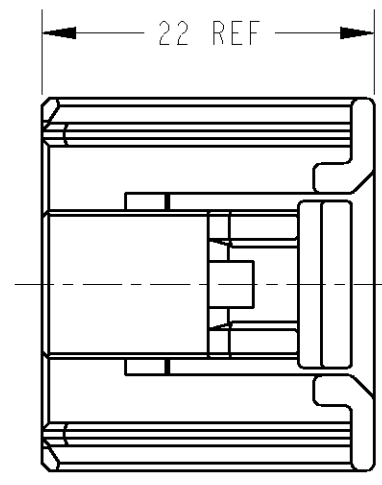
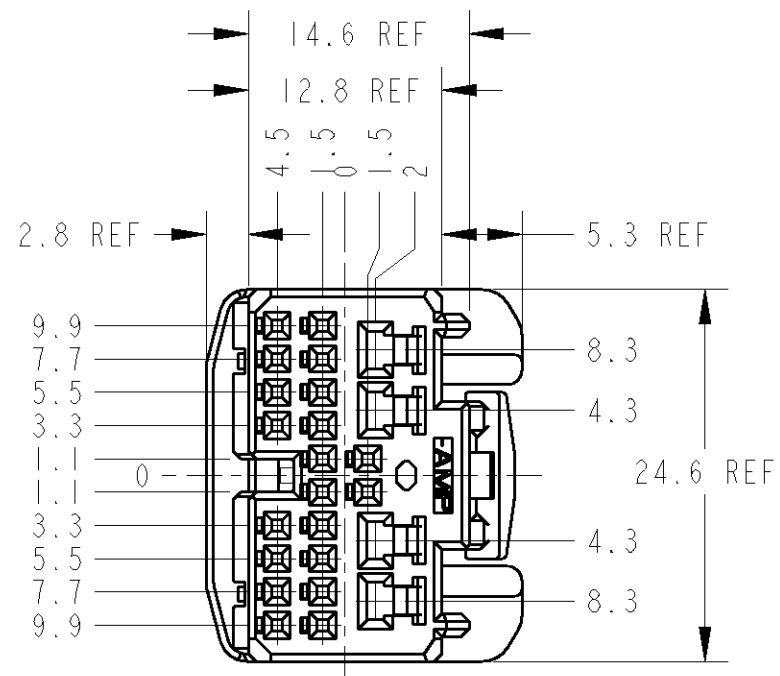


THIS DRAWING IS UNPUBLISHED. RELEASED FOR PUBLICATION 20
 © COPYRIGHT 20 BY TYCO ELECTRONICS CORPORATION. ALL RIGHTS RESERVED.

| LOC | DIST | REVISIONS | | | | | | |
|-----|------|-----------|-----|-------------|--------------|---------|-----|------|
| | | P | LTR | DESCRIPTION | ECN | DATE | DWN | APVD |
| J | // | | 0 | RELEASED | FJA0-0194-03 | 09APR03 | KF | KA |



1. RETAINER SHOULD BE SET TO THE PRE-ASSEMBLY POSITION WITHIN THE PLUG HOUSING WHEN SHIPPED TO THE CUSTOMER.
 2. THE PRE-RETENTION LATCH OF THE RETAINER MUST BE OUT SIDE OF PLUG HOUSING WHEN PRE-ASSEMBLY.
 3. PART NUMBER OF HOUSINGS TO BE MATED: SEE TABLE-1.
 4. DETAILS OF CAVITIES: SEE TABLE-2.
 5. AS FOR THE HANDLING OF THIS PRODUCT, FOLLOW THE INSTRUCTION SHEET NO. 411-5927
 - △. RETAINER COLOR: ALL NATURAL.
 7. APPLIED CONTACT PART NUMBER: SEE TABLE-2, 3
1. プラグハウジングにリテーナーを仮係止して出荷される。
 2. 仮係止時、リテーナー突起がハウジングの外側に出ていること。
 3. 嵌合相手ハウジング番号は、TABLE-1参照。
 4. キャビティ構成は、TABLE-2参照。
 5. 本製品の取扱は、取扱説明書NO. 411-5927に従うこと。
 △. リテーナーは全て自然色。
 7. 内装するリセパタクルコンタクト型番は、TABLE-2, 3参照。

TABLE-2

| | POS 極数 | APPLIED TERMINAL P/N 適用端子型番 | APPLICABLE WIRE RANGE 適用電線 |
|-------------|--------|-----------------------------|---|
| SIGNAL 025 | TIN 20 | 1123343-1 | CAVS/CAVUS 0.22-0.5mm ² AVSS/AVSSH-f/AESSX 0.3-0.5mm ² |
| POWER 09011 | TIN 4 | S : SEE TABLE-3 | CAVUS 0.3-0.5mm ² CAVS/AVSS 0.3-0.5mm ² AVS 0.3-0.5mm ² |
| | | M : SEE TABLE-3 | CAVUS 0.5-1.25mm ² CAVS/AVSS 0.5-1.25mm ² AVS 0.5-1.25mm ² |
| | | L : SEE TABLE-3 | AVSS 2mm ² |

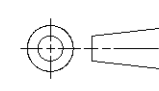
TABLE-1

| POS 極数 | MALE HSG P/N | オスハウジング型番 |
|--------|--------------|-----------|
| 80 | 1612800 | |


TABLE-3

| CONTACT MAKER 使用端子メーカー | CONTACT SIZE 端子サイズ | | |
|--|--------------------|--------------|--------------|
| | S | M | L |
| YAZAKI PARTS CO., LTD. 矢崎部品(株)殿 | 7116-4020 | 7116-4021 | 7116-4022 |
| SUMITOMO WIRING SYSTEMS, LTD. 住友電装(株)殿 | 8240-4882 | 8240-4892 | 8240-4942 |
| TOKAI RIKI CO., LTD. (株)東海理化電機製作所殿 | 4R1190-0004E | 4R1191-0004E | 4R1192-0005F |

THIS DRAWING IS A CONTROLLED DOCUMENT FOR TYCO ELECTRONICS CORPORATION IT IS SUBJECT TO CHANGE AND THE CONTROLLING ENGINEERING ORGANIZATION SHOULD BE CONTACTED FOR THE LATEST REVISION.

| | | |
|---|---|---------------------------|
| DIMENSIONS: 単位: 概 mm | TOLERANCES UNLESS OTHERWISE SPECIFIED: 一般公差 = ± 0.3 | DWN K. FURUYAMA 09APR03 |
|  | 0-PLC ± | CHK S. HIRANUMA 09APR03 |
| | 1-PLC ±0.1 | APVD K. ASAI 09APR03 |
| | 2-PLC ±0.01 | PRODUCT SPEC 108-5667 |
| | 3-PLC ±0.001 | APPLICATION SPEC 114-5250 |
| MATERIAL 材料 PBT | FINISH 仕上 SEE TABLE | WEIGHT 5.9 g |

| | | | |
|---------------------------|----------------------------|----------------------|-----------|
| PAPER BOX ダンボール箱 OUTER 外装 | PLASTIC BAG ビニール袋 INNER 内装 | BLACK 黒 | 1612802-1 |
| PACKING STYLE 梱包形態 | | HOUSING COLOR ハウジング色 | P/N 型番 |

| | | | |
|---|-----------------|--|--------------------|
|  Tyco Electronics AMP K.K. Kawasaki, Japan | | NAME 名称 025/090 SER 24POS PLUG ASSY KEYING | |
| SIZE A3 | CAGE CODE 00779 | DRAWING NO. 1612802 | RESTRICTED TO // |
| CUSTOMER DRAWING | | SCALE 2:1 | SHEET 1 OF 1 REV 0 |

单击下面可查看定价，库存，交付和生命周期等信息

[>>TE Connectivity\(泰科\)](#)