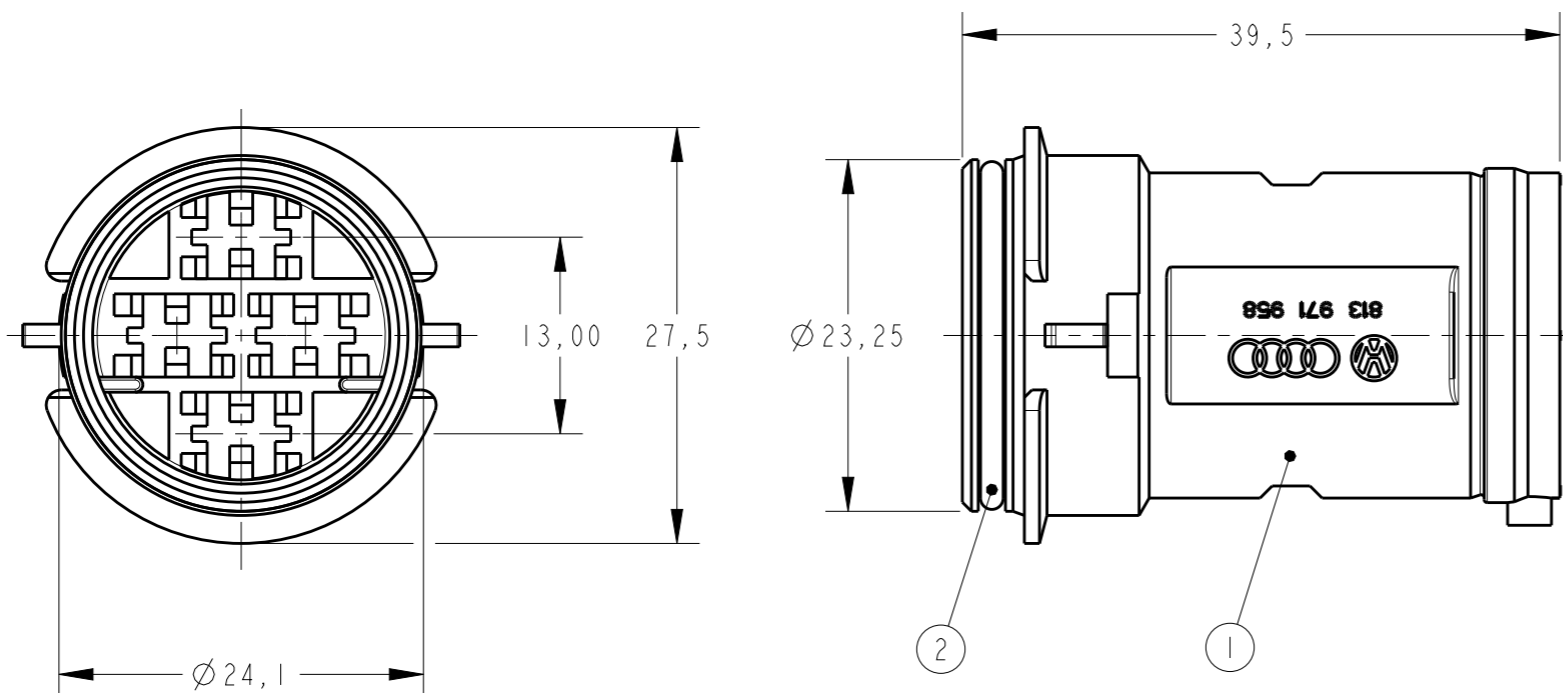


creo
Creo Parametric 3.0
**DO NOT REVISE
EXCEPT BY CAD**

REVISIONS

P	LTR	DESCRIPTION	DATE	DWN	APVD
	A3	REDRAW BY CAD ECO-16-012742	01FEB2017	NCL	DAO



1 - OBSOLETE PARTS: OBSOLETE CIS STREAMLINING PER D.RENAUD/D.SINISI

2 - DIMENSÕES NÃO ENCONTRADAS DEVEM SER OBTIDAS DO CAD 3D DA PEÇA, DEVENDO-SE EMPREGAR O VALOR DA TOLERÂNCIA LINEAR COM UMA CASA DECIMAL, MOSTRADO NA TABELA DE TOLERÂNCIA GERAL NESTE DESENHO.

2 - NOT FOUND DIMENSIONS MUST BE GOTTEN FROM THE PART 3D CAD DATABASE AND MUST BE USED THE VALUE OF THE LINEAR TOLERANCE WITH ONE DECIMAL PLACE, SHOWN IN THE TOLERANCE TABLE ON THIS DRAWING.

OBSOLETE

VW PART NUMBER	REQ. PER ASSY								ITEM	DESCRIPTION	MATERIAL	FINISH
	-8	-7	-6	-5	-4	-3	-2	-1				
813 971 958 - G		-	-	-	-	-	-	-	2	O'RING	NEOPRENE/NITRILICA	PRETO/BLACK
813 971 958 - F	-		-	-	-	-	-	-	1	4 WAY .250 FASTIN-ON TAB HSG	PA 6.6	CINZA/GRAY
813 971 958 - E	-	-		-	-	-	-	-	1	4 WAY .250 FASTIN-ON TAB HSG	PA 6.6	VERDE/GREEN
813 971 958 - D	-	-	-		-	-	-	-	1	4 WAY .250 FASTIN-ON TAB HSG	PA 6.6	BRANCO/WHITE
813 971 958 - C	-	-	-	-		-	-	-	1	4 WAY .250 FASTIN-ON TAB HSG	PA 6.6	AZUL/BLUE
813 971 958 - B	-	-	-	-	-		-	-	1	4 WAY .250 FASTIN-ON TAB HSG	PA 6.6	AMARELO/YELLOW
813 971 958 - A	-	-	-	-	-	-		-	1	4 WAY .250 FASTIN-ON TAB HSG	PA 6.6	VERMELHO/RED
813 971 958	-	-	-	-	-	-	-		1	4 WAY .250 FASTIN-ON TAB HSG	PA 6.6	MARROM/BROWN
	-	-	-	-	-	-	-		1	4 WAY .250 FASTIN-ON TAB HSG	PA 6.6	PRETO/BLACK

THIS DRAWING IS A CONTROLLED DOCUMENT.

DWN NCLAPRESA 31 JAN 2017

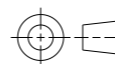
CHK FORTUNATO 31 JAN 2017

APVD DAOLIVEIRA 31 JAN 2017

STE TE Connectivity

DIMENSIONS: mm

TOLERANCES UNLESS OTHERWISE SPECIFIED:



- 0 PLC ±-
- 1 PLC ±0,3
- 2 PLC ±0,2
- 3 PLC ±-
- 4 PLC ±-
- ANGLES ±1°

MATERIAL SEE TABLE

FINISH

PRODUCT SPEC

APPLICATION SPEC

WEIGHT

NAME 4 WAY 250 FASTIN-ON TAB HSG ASSY

SIZE A3 CAGE CODE - DRAWING NO C-881208 RESTRICTED TO -

CUSTOMER DRAWING SCALE 1:1 SHEET 1 OF 1 REV A3

单击下面可查看定价，库存，交付和生命周期等信息

[>>TE Connectivity\(泰科\)](#)