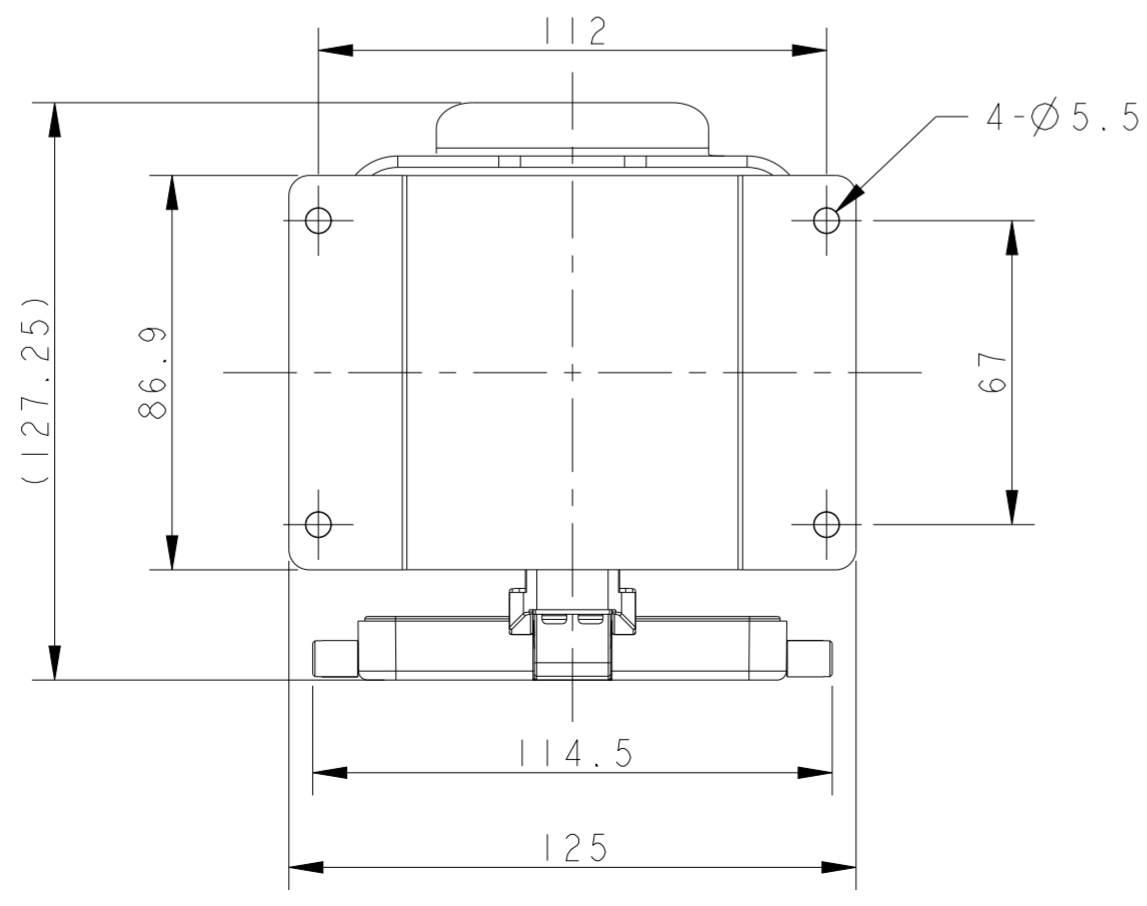
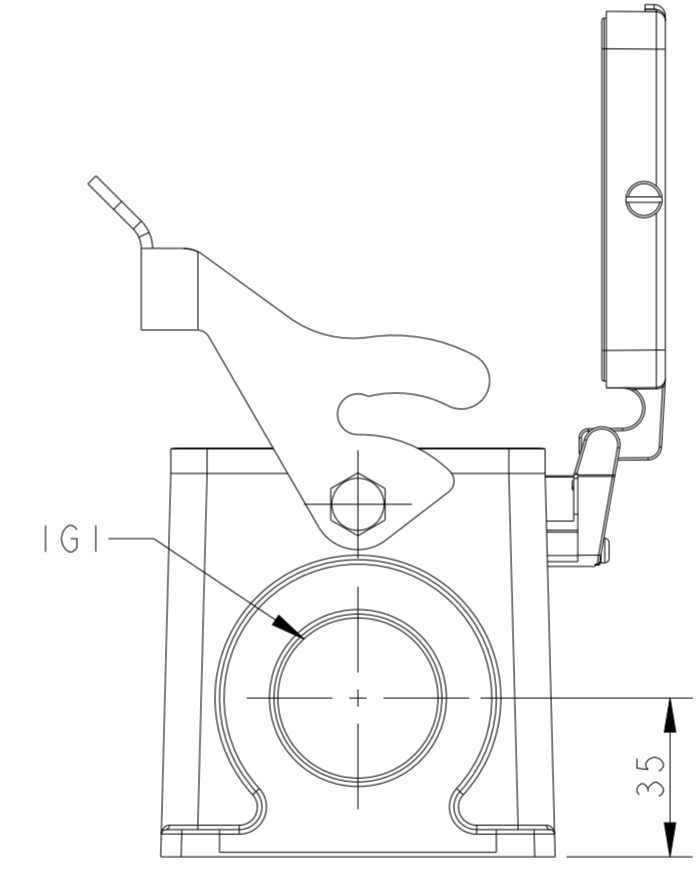
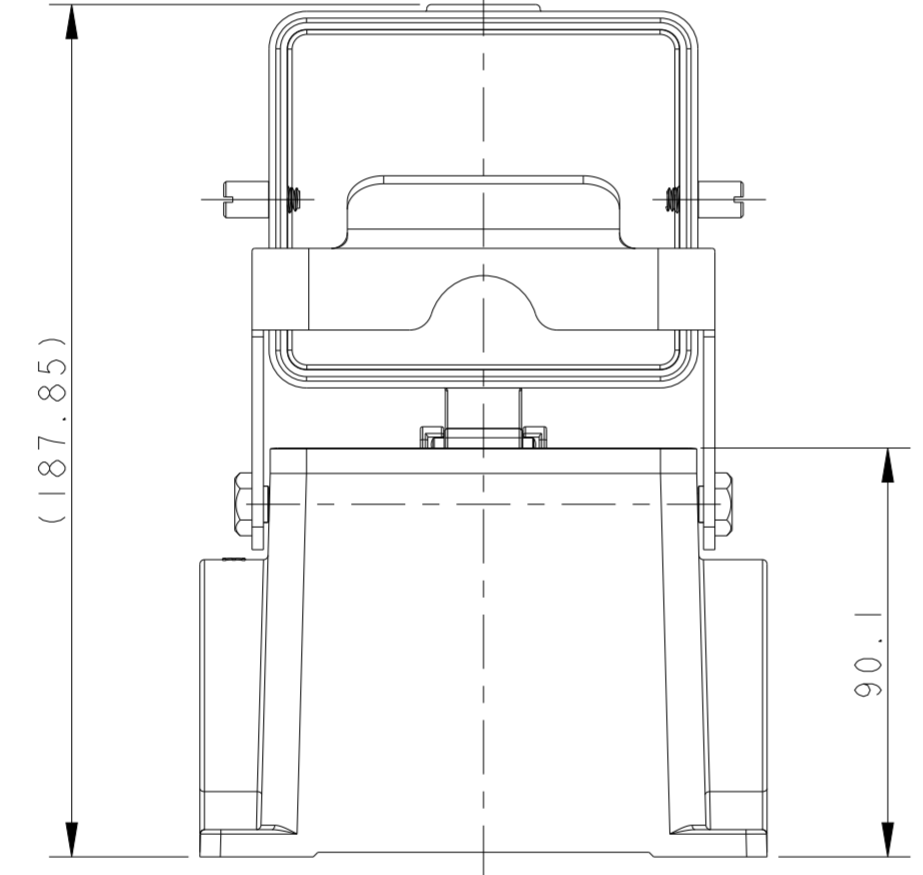
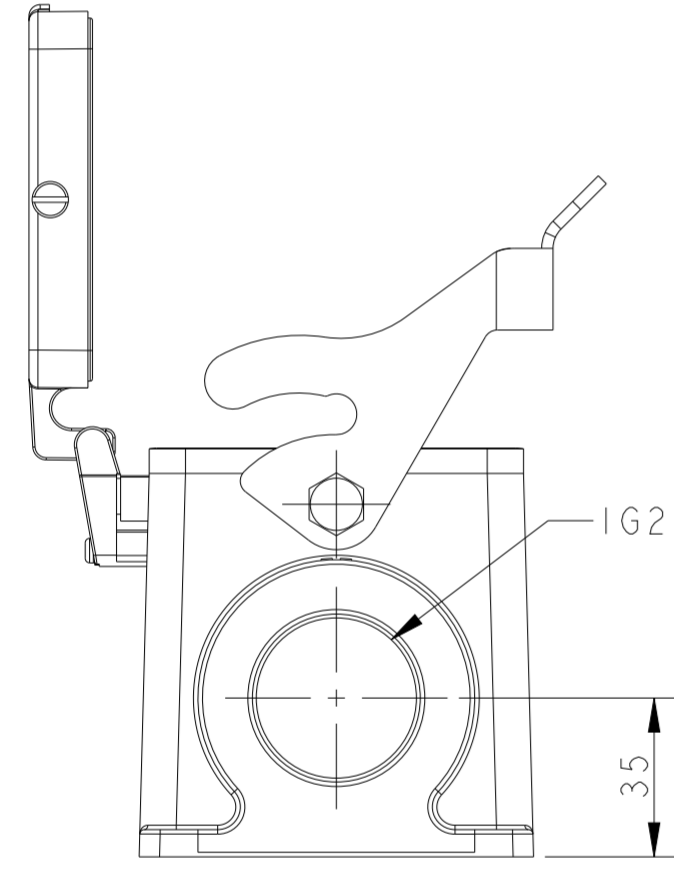
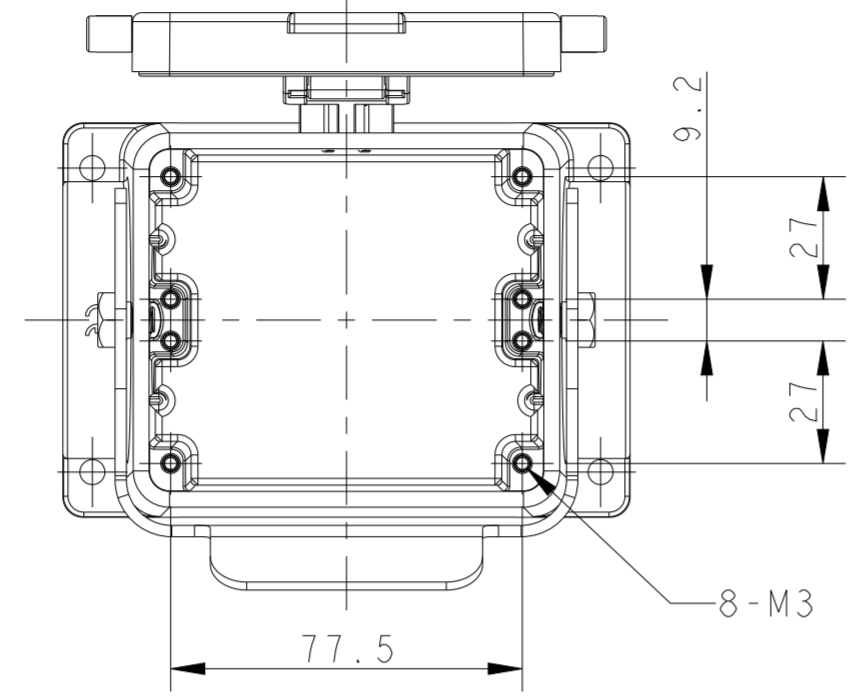
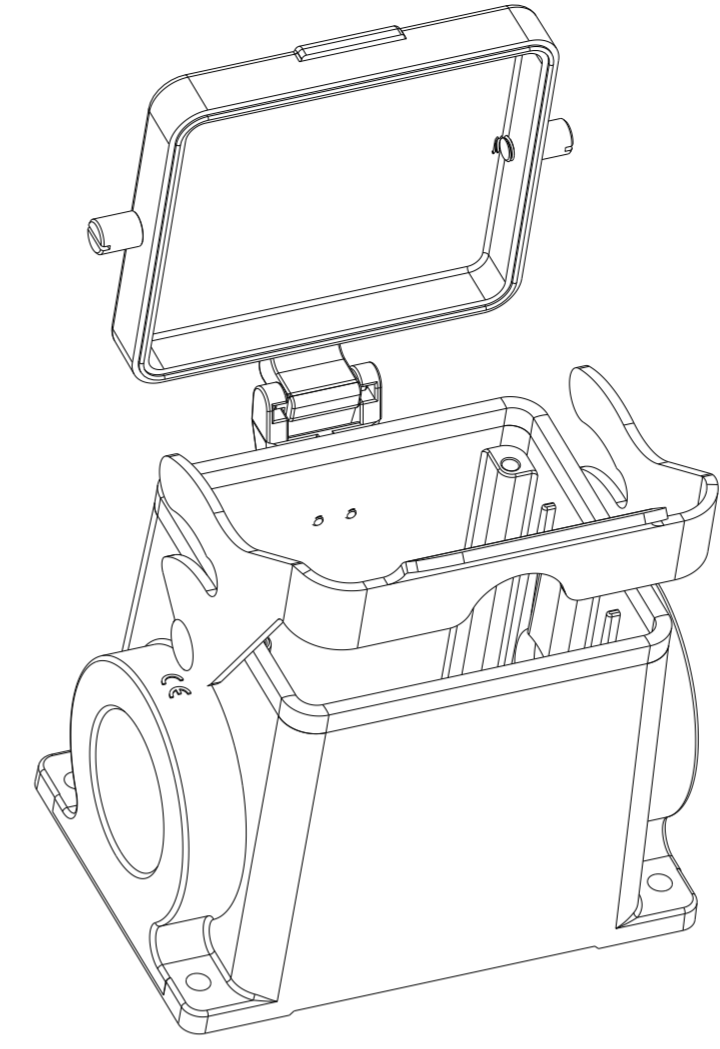


THIS DRAWING IS UNPUBLISHED. RELEASED FOR PUBLICATION 20
 © COPYRIGHT 20 BY - ALL RIGHTS RESERVED.

REVISIONS				
P	LTR	DESCRIPTION	DATE	APVD
A		INITIAL RELEASE	04JUN2015	DL CW
B		ECR-21-109004	19AUG2021	WOR CW



NOTES:
 1. TECHNICAL CHARACTERISTICS:
 BODY MATERIAL: DIE CAST ALUMINIUM ALLOY
 SURFACE TREATMENT: POWDER-COATED, GRAY
 DEGREE OF PROTECTION: IP65 (MATED)

注释:
 1. 技术参数:
 主体材料: 铝合金
 表面处理: 粉末喷涂, 灰色
 防护等级: IP65(配合)

T1620320129-000	H32B-SDR-LB-PG29	PG29	-
T1620322132-000	H32B-SDR-LB-M32	M32	-
T1620320136-000	H32B-SDR-LB-PG36	PG36	-
T1620320140-000	H32B-SDR-LB-M40	M40	-
T1620320142-000	H32B-SDR-LB-PG42	PG42	-
T1620320150-000	H32B-SDR-LB-M50	M50	-
T1620320229-000	H32B-SDR-LB-2PG29	PG29	PG29
T1620320232-000	H32B-SDR-LB-2M32	M32	M32
T1620320236-000	H32B-SDR-LB-2PG36	PG36	PG36
T1620320240-000	H32B-SDR-LB-2M40	M40	M40
ASSEMBLY PART NUMBER	ASSEMBLY PART DESCRIPTION	IG1	IG2

THIS DRAWING IS A CONTROLLED DOCUMENT.

DWN	DAVID LI	04JUN2015
CHK	CHRIS WANG	04JUN2015
APVD	XU XIANG	04JUN2015
PRODUCT SPEC	108-137013	
APPLICATION SPEC	114-137013	
WEIGHT	-	
MATERIAL	-	

TE Connectivity

NAME: H32B-SDR-LB-PG/M

SIZE	CAGE CODE	DRAWING NO	RESTRICTED TO
A2	-	©-T162032XXXX000	-
SCALE	3:5	SHEET	OF
Customer Drawing		1	1
REV	B		

单击下面可查看定价，库存，交付和生命周期等信息

[>>TE Connectivity\(泰科\)](#)