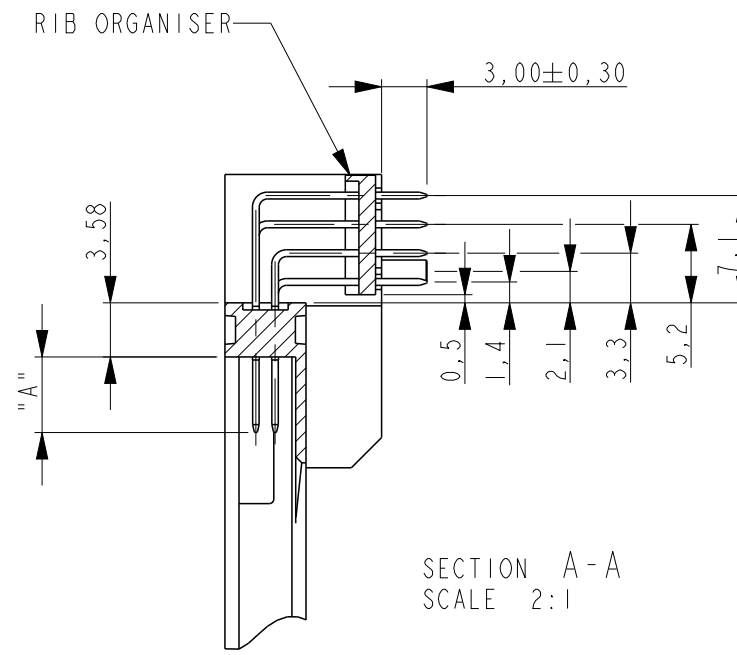
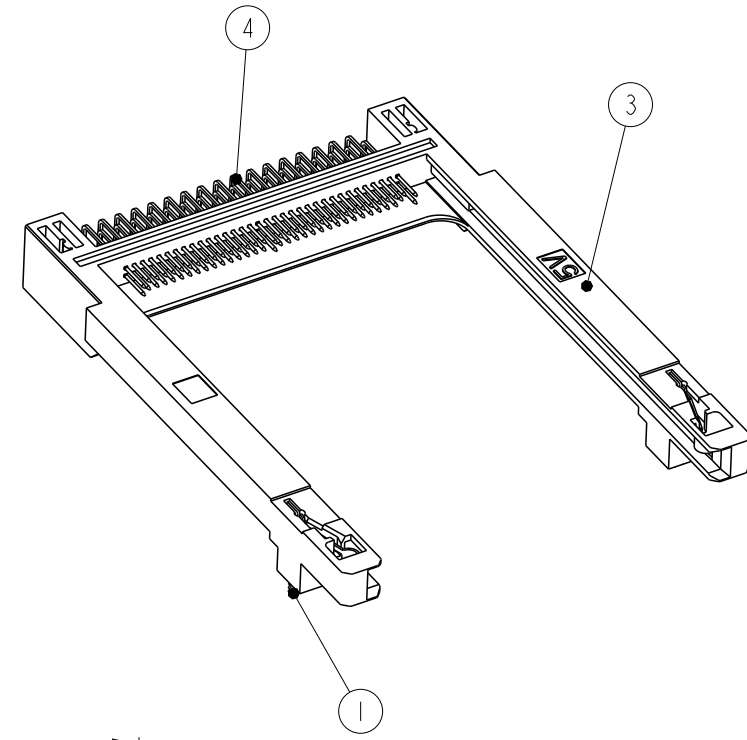


THIS DRAWING IS UNPUBLISHED. RELEASED FOR PUBLICATION
 © COPYRIGHT - ALL RIGHTS RESERVED.

LOC		DIST		REVISIONS			
P	LTR	DESCRIPTION	DATE	DWN	APVD		
IR	-	D	REVISÉ	08NOV2016	M.T	K.K	



NOTES/SPECIFICATION:

- HEADER ACCEPTS TYPES I, II, & III OF PCMCIA STANDARD MEMORY CARD
- MECHANICAL SPECIFICATION:
 - DURABILITY
 - OFFICE ENVIRONMENT: 10000 CYCLES MINIMUM
 - HARSH ENVIRONMENT: 5000 CYCLES
 - CONTACT RETENTION FORCE: 1Kg MINIMUM
- ELECTRICAL SPECIFICATION:
 - CONTACT RESISTANCE: 40 MILLI OHMS MAX.
 - DIELECTRIC WITHSTANDING VOLTAGE: 500 Vrms FOR 1min.
 - INSULATION RESISTANCE: 1000 MEGA OHMS MIN.
 - CURRENT CAPACITY: 0,5 AMPS PER PIN.
- ENVIRONMENTAL SPECIFICATIONS:
 - STORAGE ENVIRONMENT: -40°C TO +70°C, 95% MAX. RELATIVE HUMIDITY (NON CONDENSING)
 - OPERATION TEMPERATURE: -20°C TO +60°C, 95% MAX. RELATIVE HUMIDITY (NON CONDENSING)
 - THERMAL SHOCK: 6 CYCLES (1 CYCLE PER HOUR) WITH CONNECTOR ENGAGED WITH EXTREMES OF -55°C TO +70°C.

5 LENGTH OF CONTACTS:

DIM "A"	POSITION No.
5	1, 17, 34, 35, 51, 68
3.5	36, 67
4.25	THE OTHERS

6 PLATING OF CONTACT: Ni : OVERALL
 Au : CARD SIDE
 TIN: PCB SIDE

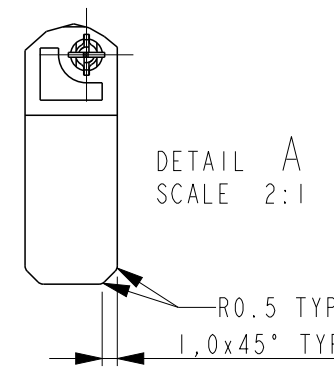
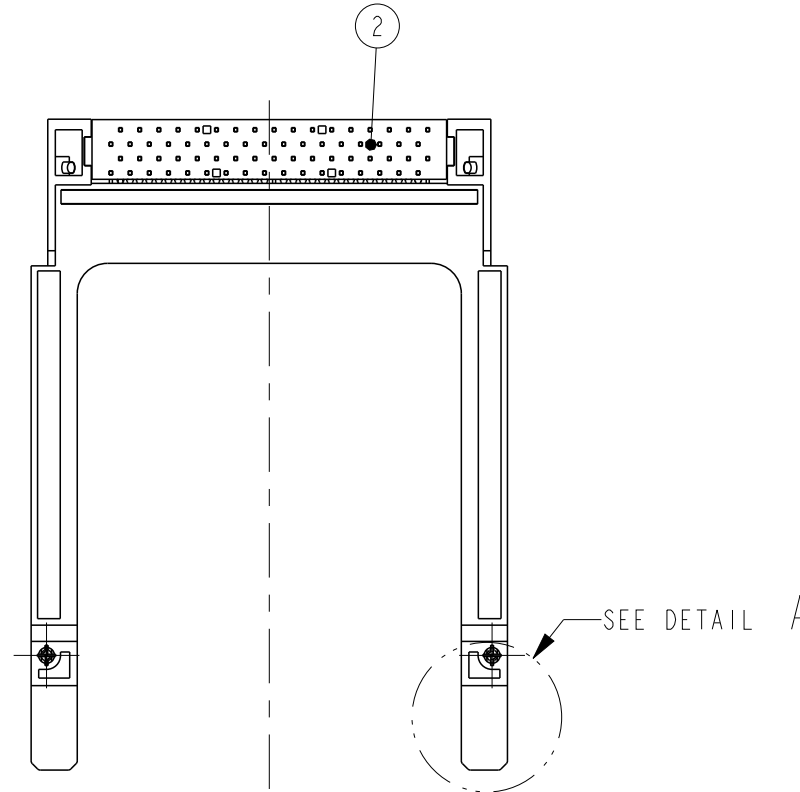
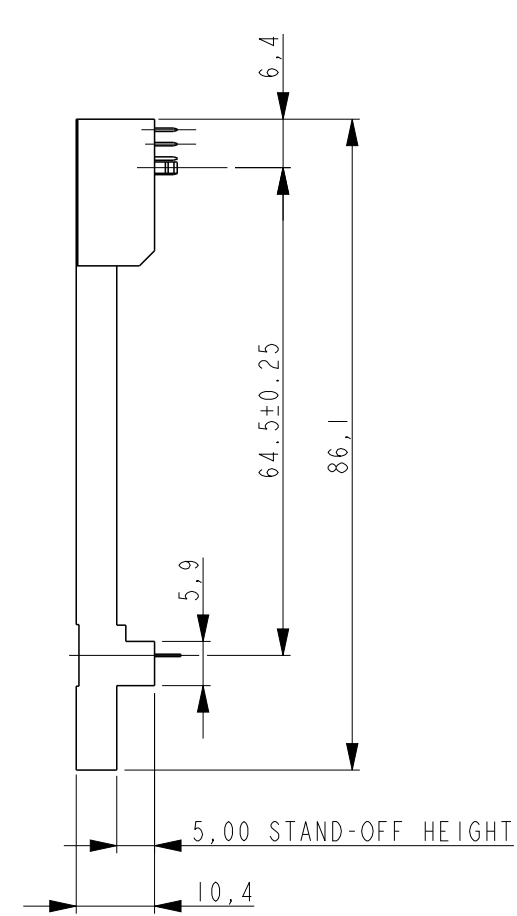
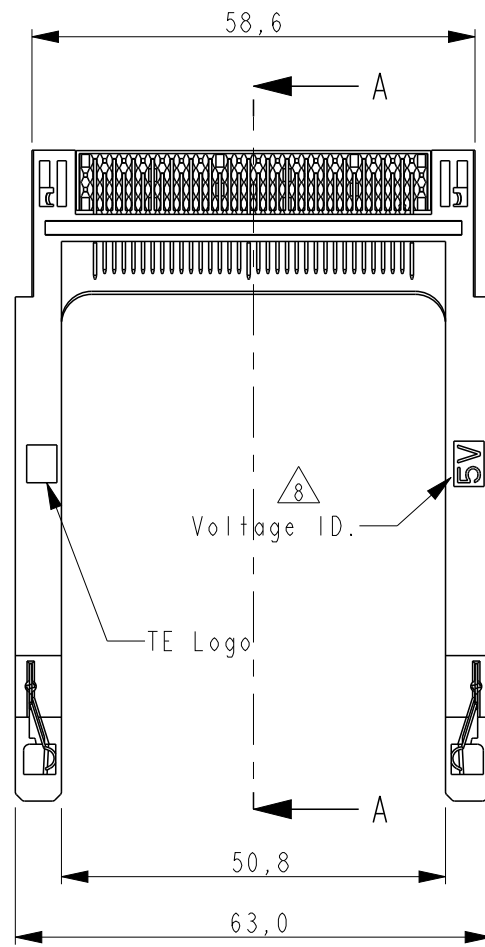
7 ALL PARTS PACKAGED IN TRAYS UNLESS REQUESTED:

8 NO VOLTAGE ID ON 3.3V VERSION HOUSING.

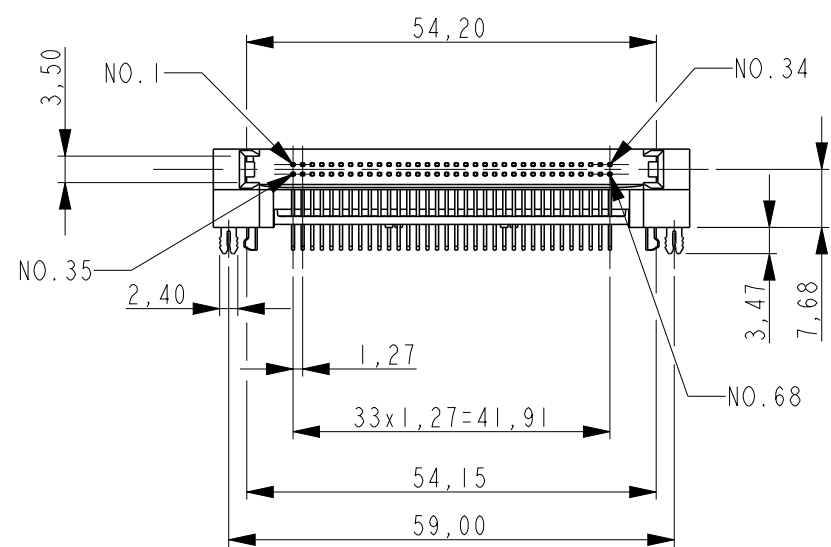
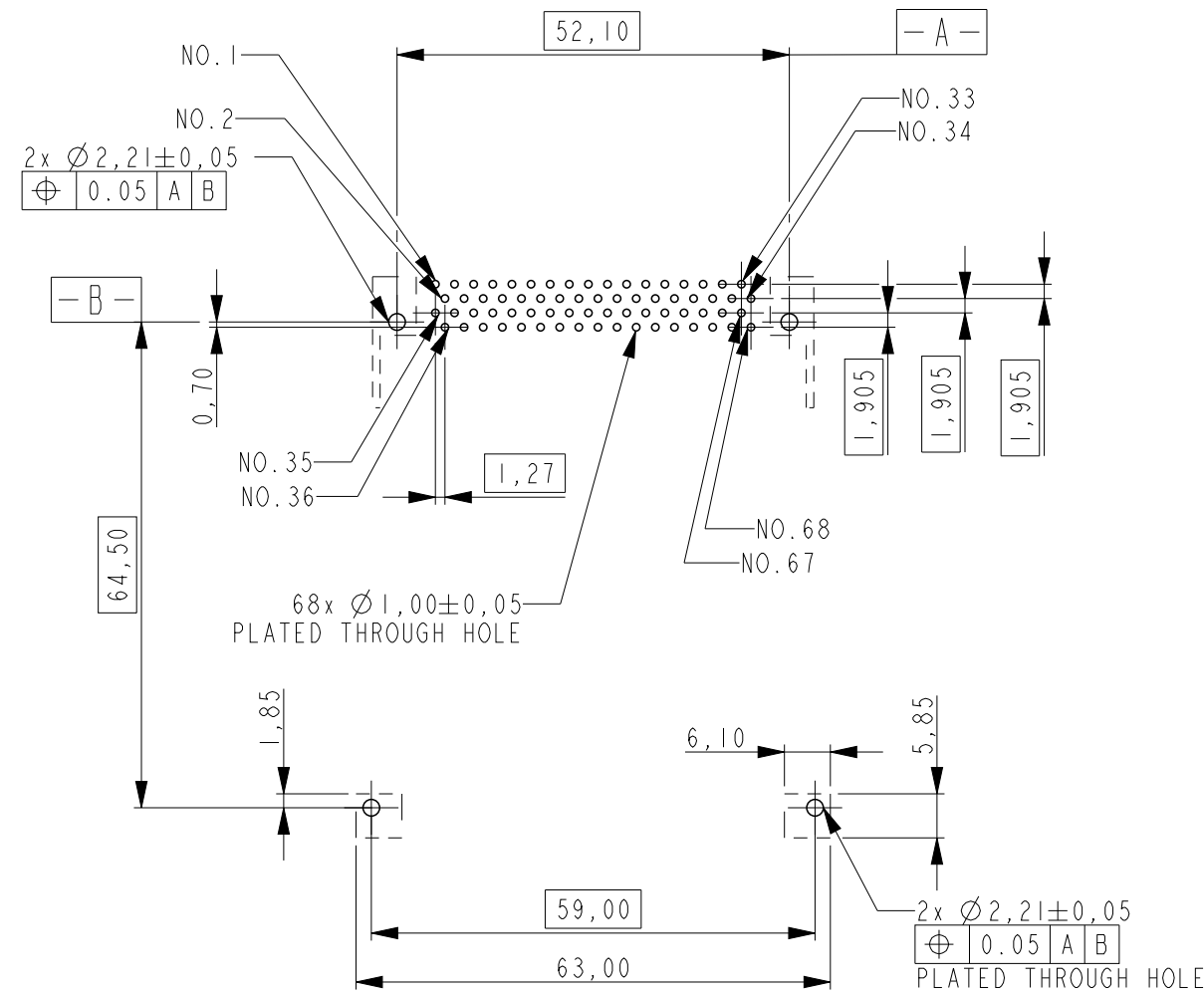
9

CONNECTOR TO PRINTED CIRCUIT BOARD ASSEMBLY:

- PLACE THE CONNECTOR ON THE PRINTED CIRCUIT BOARD. THE SOLDER TAILS, RETENT CLIPS & PLASTIC LEGS SHOULD BE SEATED IN THE RESPECTIVE HOLES.
- PUSH FIRMLY DOWN ON CENTER OF PLASTIC LEGS THEN SOLDER RETENTS. A SLIGHT SNAP IS FELT WHEN THE CONTACT IS FULLY SEATED.
- SOLDER PROCESS ENTIRE PRINTED CIRCUIT BOARD ASSEMBLY.



RECOMMENDED PCB LAYOUT (THICKNESS: 1,60mm ±0,1mm)



PN 1857164-1 AS SHOWN

1857164-2	3.3V
1857164-1	5V
TE PN.	HEADER VOLTAGE

ITEM NO	QTY	DESCRIPTION	MATERIAL	FINISH
4	68	CONTACT	COPPER ALLOY	6
3	1	HOUSING	THERMOPLASTIC UL 94 VO	COLOR: BLACK
2	1	ORGANISER	THERMOPLASTIC UL 94 VO	COLOR: BLACK
1	1	GROUND CONTACT	PHOSPHOR BRONZE	TIN: 2µm MIN

THIS DRAWING IS A CONTROLLED DOCUMENT.

DWN	P. Willems	01-JUL-05
CHK	P. Willems	01-JUL-05
APVD	J. Broeksteeg	08-SEP-05
PRODUCT SPEC	108-19201	
APPLICATION SPEC	-	
WEIGHT	-	
CUSTOMER DRAWING	SCALE	SHEET OF REV D

UNSHIELDED CARD BUS CONNECTOR
 5mm RAISED, 0,7mm OFFSET

SIZE: A2 CAGE CODE: 00779 DRAWING NO: C-1857164 RESTRICTED TO: -

单击下面可查看定价，库存，交付和生命周期等信息

[>>TE Connectivity\(泰科\)](#)