

4

3

2

1

THIS DRAWING IS UNPUBLISHED.

RELEASED FOR PUBLICATION

20

© COPYRIGHT 20

BY -

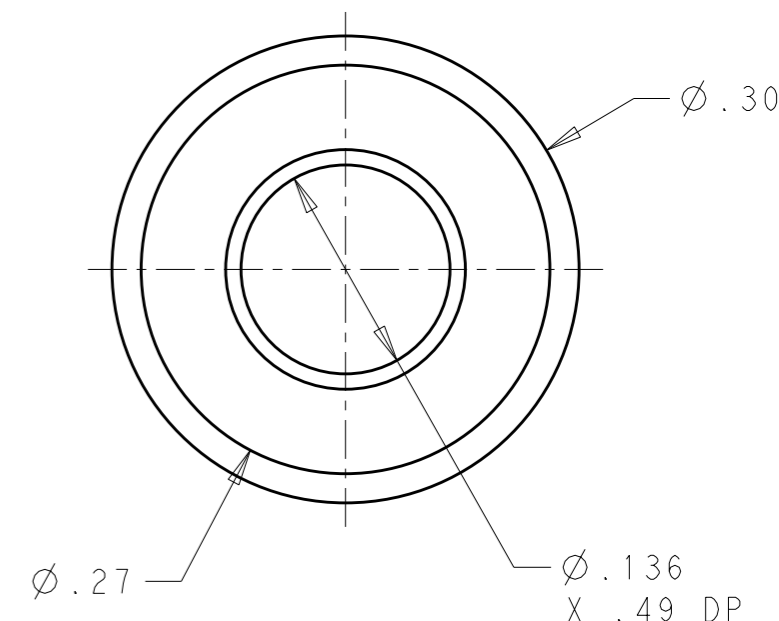
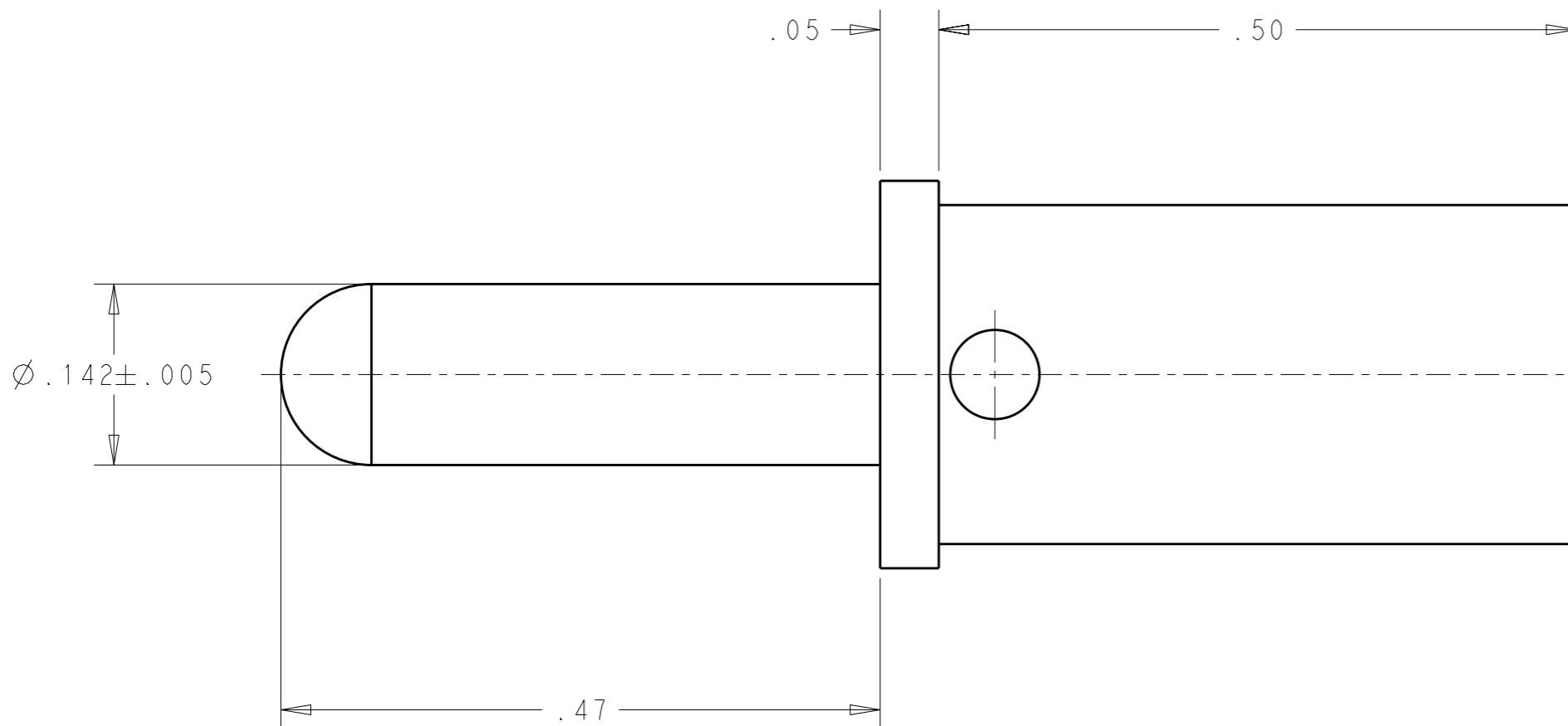
ALL RIGHTS RESERVED.

LOC
GP

DIST
00


REVISIONS

P	LTR	DESCRIPTION	DATE	DWN	APVD
	C	REV PER ECO-11-007264	14APR2011	RG	DO



- PART NUMBER CHANGES AND/OR DESIGN CHANGES AFFECTING ITEM INTERCHANGEABILITY REQUIRE PRIOR TYCO ELECTRONICS APPROVAL AND AUTHORIZATION BY REVISION TO THIS DRAWING.
- ITEMS PROVIDED TO THIS SPECIFICATION SHALL BE IDENTIFIED ON THE CONTAINER WITH THE FOLLOWING INFORMATION: PART NUMBER AND DATE CODE OF MANUFACTURE.
- MATERIAL: COPPER ALLOY
- FINISH: SILVER PLATE .00200 MIN THK. OVER NICKEL .000040 MIN THK.

1766816-1
PART NUMBER

THIS DRAWING IS A CONTROLLED DOCUMENT.		DWN 11 JAN 2011 LOVATO/GRZYBOWSKI	 TE Connectivity															
DIMENSIONS: INCHES		CHK D. ORRIS			NAME													
TOLERANCES UNLESS OTHERWISE SPECIFIED:		APVD 11 JAN 2011 D. ORRIS	CONTACT, PIN SIZE No.8 No.10 CRIMP BARREL ICCON															
<table border="0"> <tr><td>0 PLC</td><td>±-</td></tr> <tr><td>1 PLC</td><td>±-</td></tr> <tr><td>2 PLC</td><td>±-</td></tr> <tr><td>3 PLC</td><td>±.020</td></tr> <tr><td>4 PLC</td><td>±-</td></tr> <tr><td>ANGLES</td><td>±.5</td></tr> </table>		0 PLC	±-	1 PLC	±-	2 PLC	±-	3 PLC	±.020	4 PLC	±-	ANGLES	±.5	PRODUCT SPEC	SIZE	CAGE CODE	DRAWING NO	RESTRICTED TO
0 PLC	±-																	
1 PLC	±-																	
2 PLC	±-																	
3 PLC	±.020																	
4 PLC	±-																	
ANGLES	±.5																	
MATERIAL		APPLICATION SPEC	A3	00779	C-1766816	-												
FINISH		WEIGHT	CUSTOMER DRAWING		SCALE	SHEET	OF	REV										
					8:1	1	1	C										

单击下面可查看定价，库存，交付和生命周期等信息

[>>TE Connectivity\(泰科\)](#)