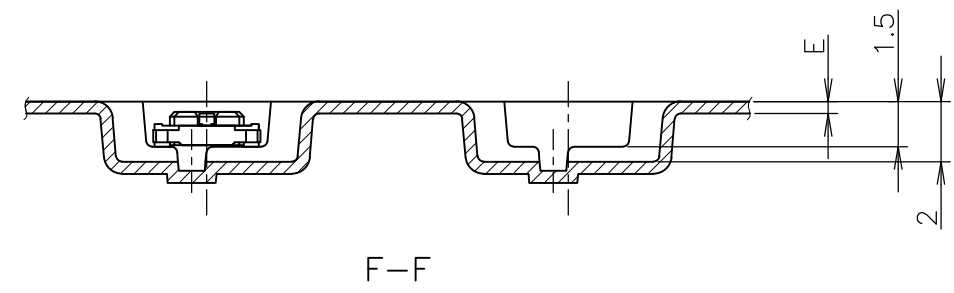
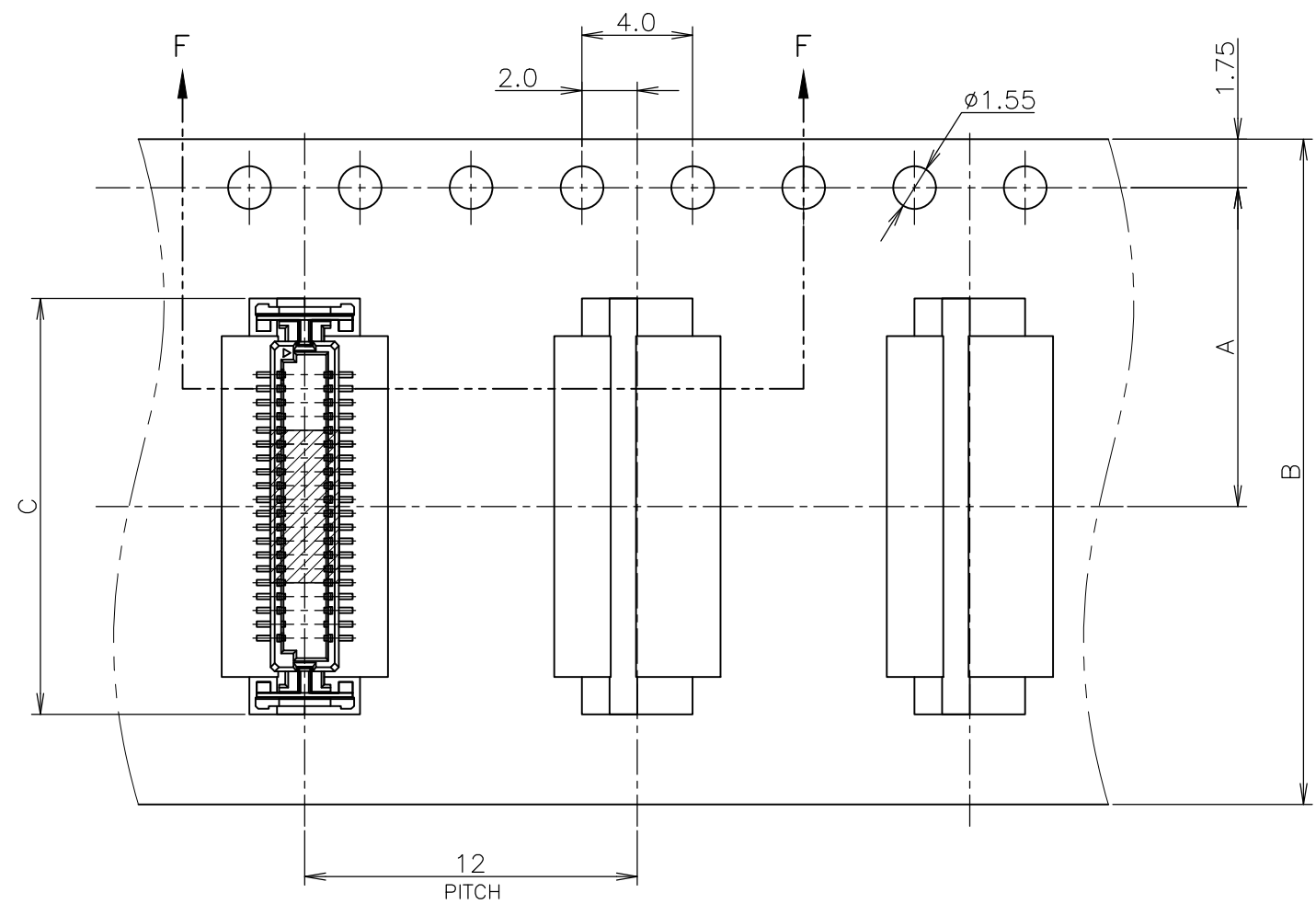
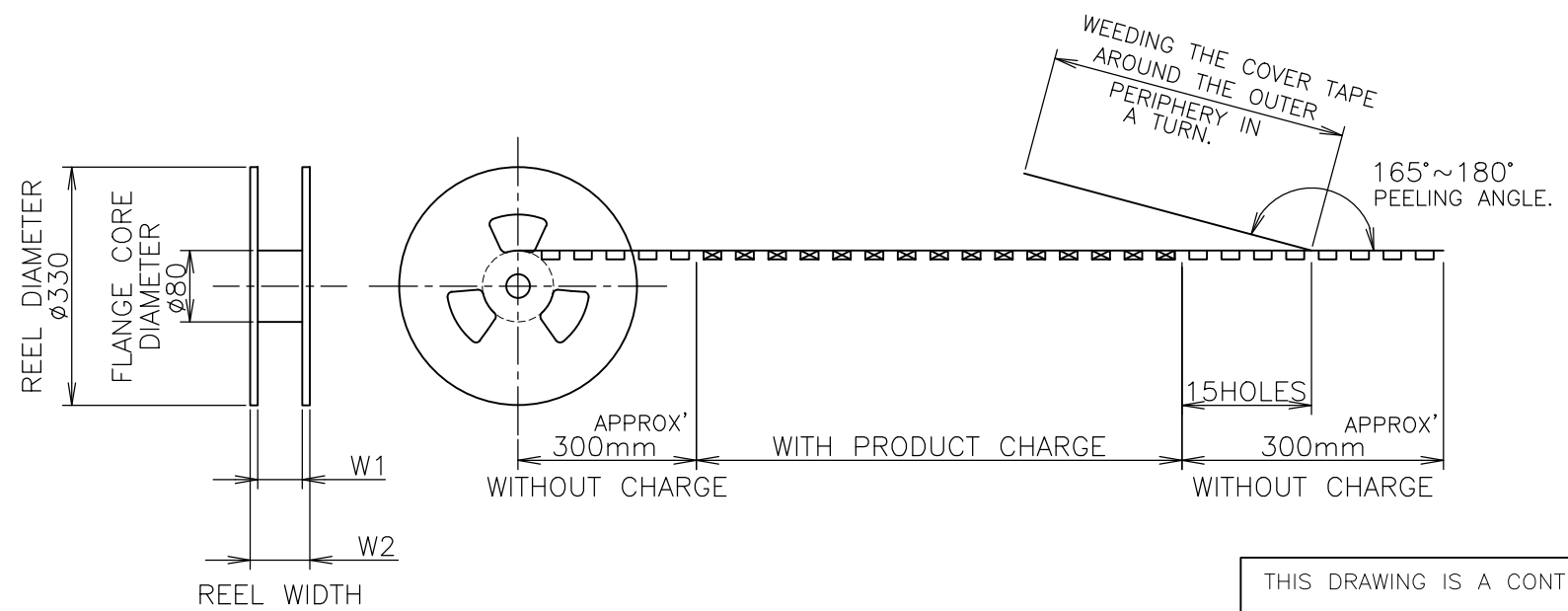


LOC ES	DIST	REVISIONS 变更			DATE	DWN	APVD
		P	LTR	DESCRIPTION			
			B2	REVISED PER ECO-18-016260	11OCT2018	R.L	H.L



TOP OF REEL



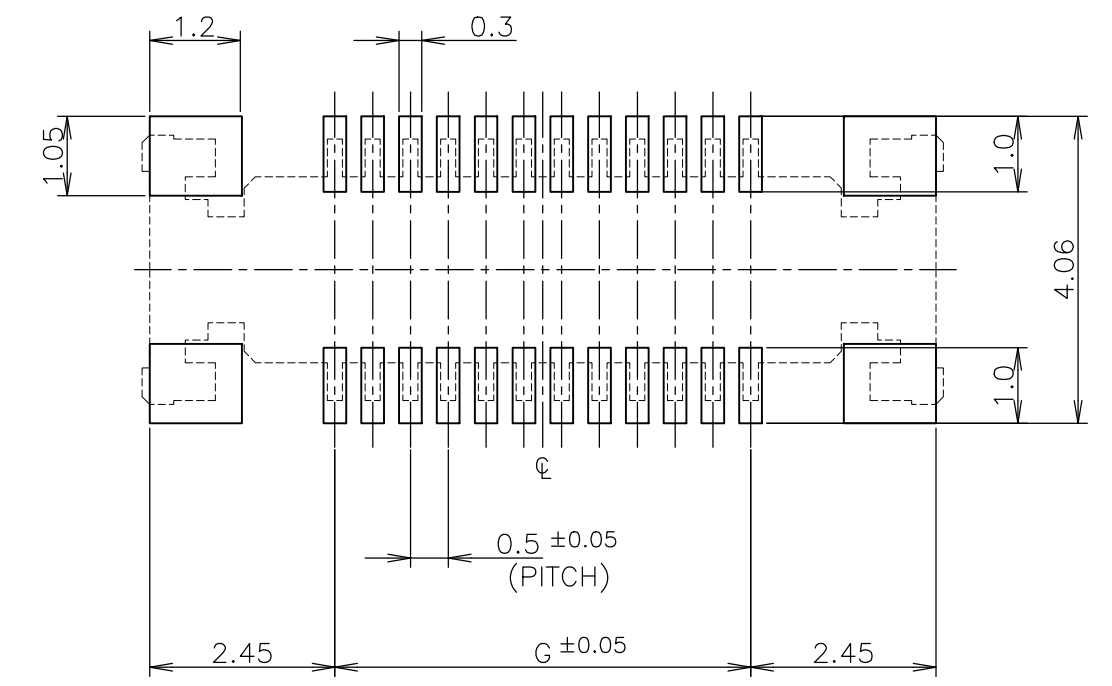
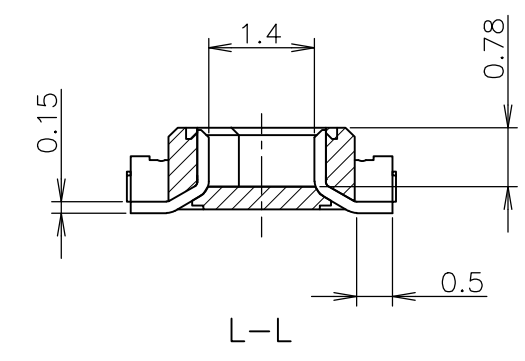
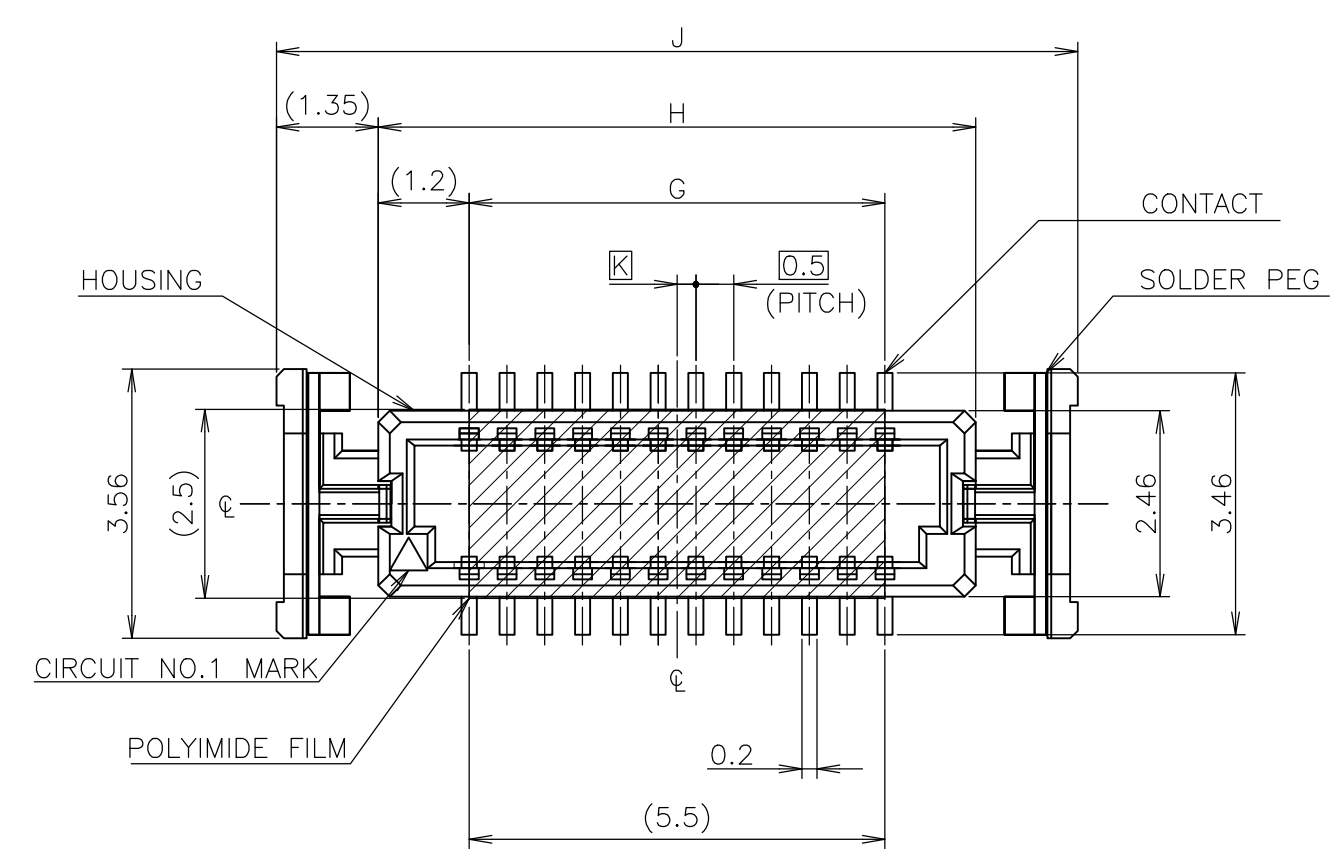
28.4	24.4	0.4	15.0	24	11.5	1500	40	4-5353515-5
28.4	24.4	0.4	15.0	24	11.5	1500	40	4-5353515-0
28.4	24.4	0.4	12.5	24	11.5	1500	30	3-5353515-0
20.4	16.4	0.4	9.75	16	7.5	1500	20	2-5353515-0
W2	W1	E	C	B	A	QTY/REEL	POS	TAPING P/N

INSTRUCTION SHEET  
 411-5781

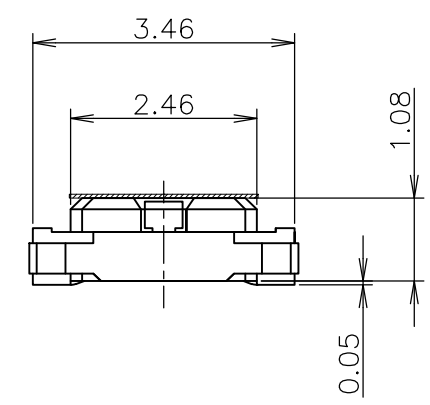
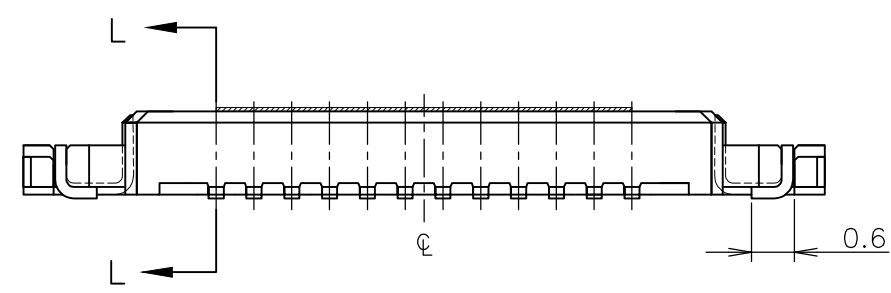
THIS DRAWING IS A CONTROLLED DOCUMENT.		DWN BILL LV 09SEP2010	Tyco Electronics Shanghai, P.R.China, 200233	
DIMENSIONS: 单位: 耗 mm		CHK MARTIN LI 09SEP2010	ON TAPING EMBOSS 0.5mm PITCH FS CONN. TAB ASSEMBLY WITH KEY & WITHOUT BOSS & POLYIMIDE FILM	
TOLERANCES UNLESS OTHERWISE SPECIFIED: 一般公差		APVD STEVEN YAO 09SEP2010	NAME 名称	
0 PLC ± 0.2		PRODUCT SPEC 108-60048	DRAWING NO 5353515	
1 PLC ± 0.2		APPLICATION SPEC 取付適用規格	RESTRICTED TO	
2 PLC ± 0.2		WEIGHT	SCALE 尺度 4:1	
3 PLC ± 0.2		CUSTOMER DRAWING	SHEET 1 of 2	
4 PLC ± 0.2			REV B2	
ANGLES ± 3'				
FINISH 仕上				
MATERIAL 材料				

THIS DRAWING IS UNPUBLISHED. RELEASED FOR PUBLICATION NOV. 2004.  
 © COPYRIGHT 2004 BY TYCO ELECTRONICS CORPORATION. ALL RIGHTS RESERVED.

LOC ES	DIST	REVISIONS 变更			DATE	DWN	APVD
		P	LTR	DESCRIPTION			
				SEE SHEET 1	-	-	-



(T=0.6 MIN.)  
P.C. BOARD LAYOUT (REF.)



- 1 MATING COUNTER PART NUMBER: 5353511
- 2 MATERIAL  
HOUSING: HIGH HEAT-RESISTED  
CONTACT: COPPER ALLOY (t=0.15), Au PLATING.  
SOLDER PEG: COPPER ALLOY (t=0.15), TIN PLATING.
- 3 CONTACT: Au PLATING (0.00076mm)

THIS DRAWING IS A CONTROLLED DOCUMENT.	
DIMENSIONS: 单位: 耗 mm	TOLERANCES UNLESS OTHERWISE SPECIFIED: 一般公差
	0 PLC ± 0.2
	1 PLC ± 0.2
	2 PLC ± 0.2
	3 PLC ± 0.2
	4 PLC ± 0.2
	ANGLES ± 3°
MATERIAL 材料	FINISH 仕上

INSTRUCTION SHEET  
411-5781

0.25	14.6	11.9	9.5	40	4-5353515-5
0.25	14.6	11.9	9.5	40	4-5353515-0
—//—	12.1	9.4	7	30	3-5353515-0
0.25	9.6	6.9	4.5	20	2-5353515-0
K	J	H	G	POS.	PART NO.

**Tyco Electronics** Tyco Electronics  
Shanghai, P.R.China, 200233

ON TAPING EMBOSS  
0.5mm PITCH FS CONN. TAB ASSEMBLY  
WITH KEY & WITHOUT BOSS & POLYIMIDE FILM ®

SIZE	CAGE CODE	DRAWING NO 番号	RESTRICTED TO
A3	00779	C-5353515	-

CUSTOMER DRAWING SCALE 10:1 SHEET 2 OF 2 REV B2

单击下面可查看定价，库存，交付和生命周期等信息

[>>TE Connectivity\(泰科\)](#)