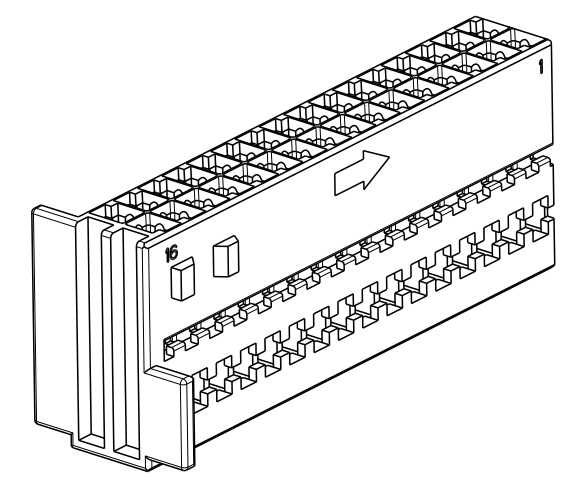
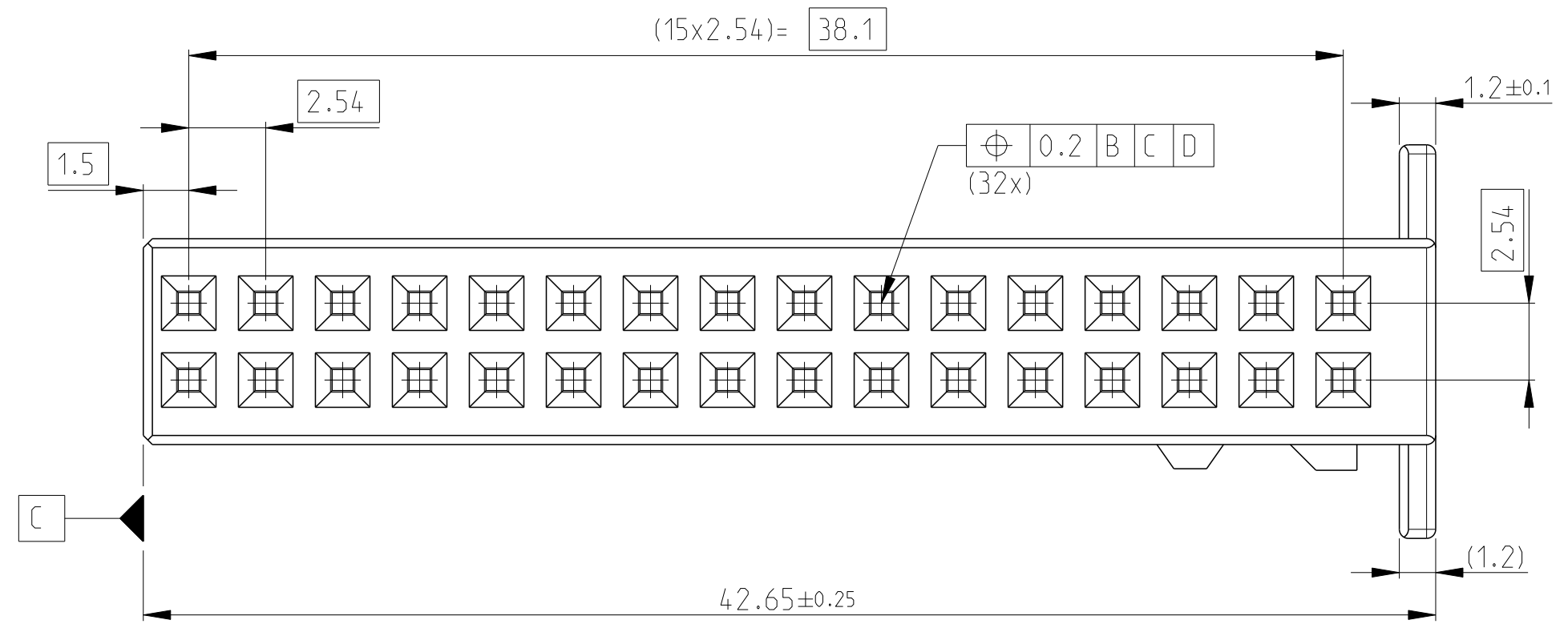
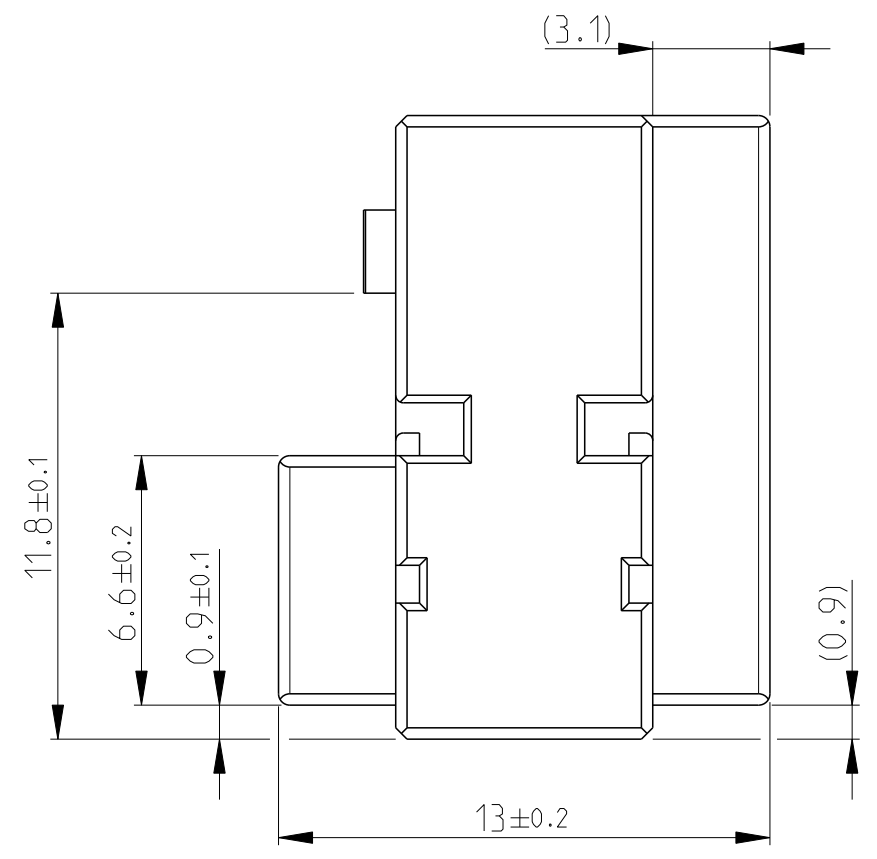
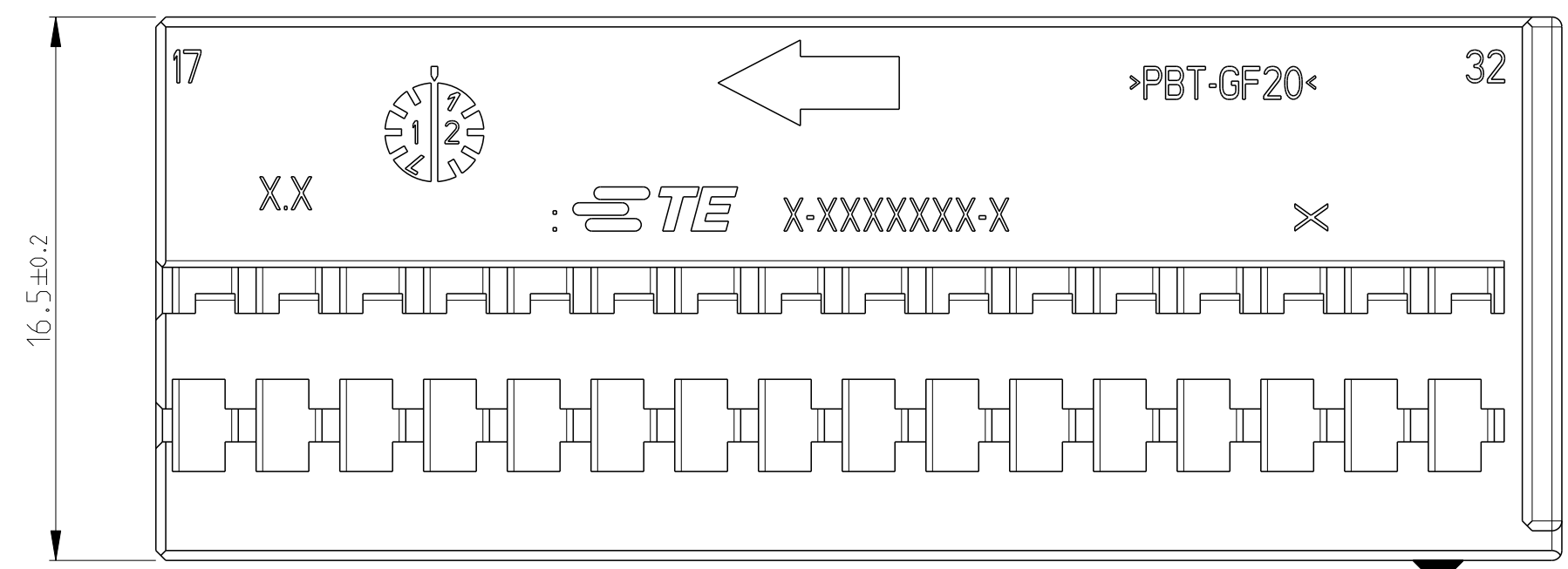


| LOC | DIST | REVISIONS | | | |
|-----|------|-------------|-----------|-----|------|
| P | LTR | DESCRIPTION | DATE | DWN | APVD |
| A | - | NEW DRAWING | 30AUG2012 | MDG | RBT |



2:1

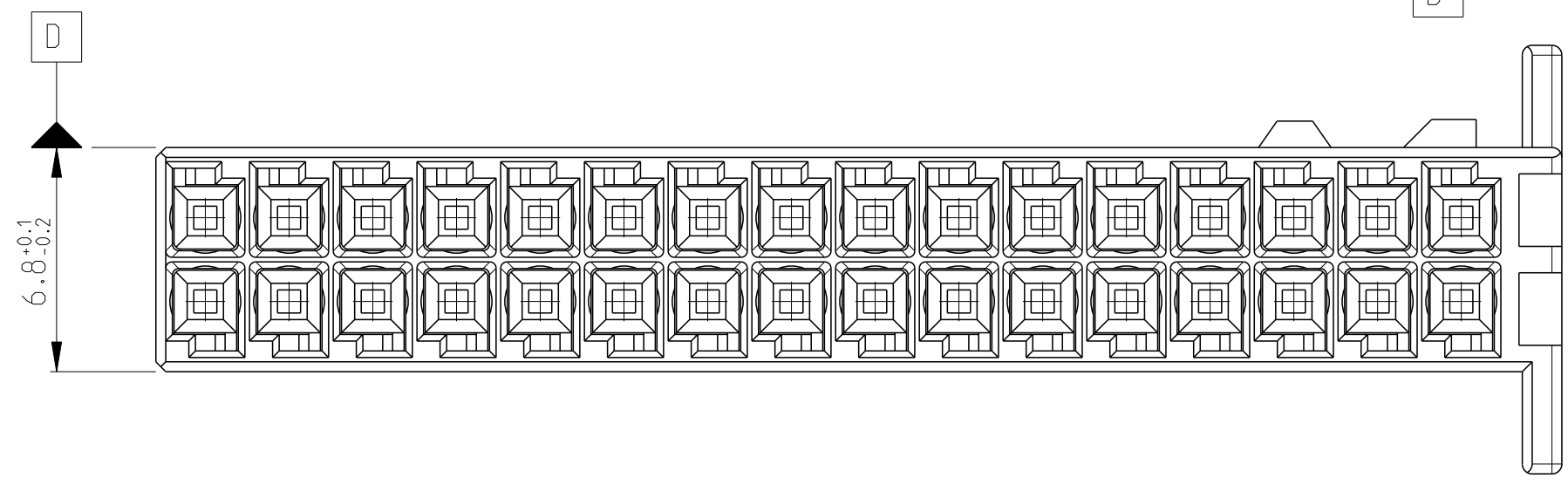


Bemerkung

- 1 Gehäuse fuer MQS-Kontakt:
PN 928999, 1355717, 963715
- 2 Verwendet mit 2050723
- 3 Verpackung: Schuetgut im Karton
- 4 Kammerbestueckung: Maximal 25% der Kontaktkaemern bestueckt mit Kontakten mit Kabelquerschnitt 0.5mm², gleichmaessig verteilt ueber das Gehaeuse ist zulaessig. Groessere Kabelquerschnitte sind nicht zulaessig.

NOTES

- 1 HOUSING FOR MQS-KONTAKT:
PN 928999, 1355717, 963715
- 2 USED WITH 2050723
- 3 PACKAGING: LOOSE PIECE IN BOX
- 4 ASSIGNMENT OF CAVITIES: MAXIMUM 25% OF CONTACT CAVITIES ASSIGNED WITH CONTACTS WITH A CABLE CROSS SECTION OF 0.5mm², UNIFORMLY DISTRUBUTED OVER THE HOUSING. LARGER CABLE CROSS SECTION ARE NOT PERMISSIBLE.



| | | | | |
|-----------------------------|-----|----------|-----------------|-----|
| 1719059-1 | A | PBT-GF20 | natur | - |
| TE-PART-NO. TE-Teile-Nr. | REV | MATERIAL | COLOUR Farbe | RAL |

| | | | | |
|--|--|--------------------------------|--|-----------------|
| THIS DRAWING IS A CONTROLLED DOCUMENT. | | DWN MANJU DG 30AUG2012 | TE Connectivity | |
| | | CHK RUDRESH BT 30AUG2012 | | |
| DIMENSIONS: mm | TOLERANCES UNLESS OTHERWISE SPECIFIED: | APVD - | NAME SOCKET HOUSING, 32 POSN. MQS Buchsengehaeuse, 32 pol. MQS | |
| | 1 PLC ±0.15 | PRODUCT SPEC 108-18924 | SIZE A2 | |
| | 2 PLC ±0.1 | APPLICATION SPEC 114-18630 | CAGE CODE 00779 | |
| MATERIAL | FINISH | WEIGHT - | DRAWING NO 1719059 | |
| | | CUSTOMER DRAWING | SCALE 5:1 | SHEET 1 OF 1 |

单击下面可查看定价，库存，交付和生命周期等信息

[>>TE Connectivity\(泰科\)](#)