

THIS DRAWING IS UNPUBLISHED.

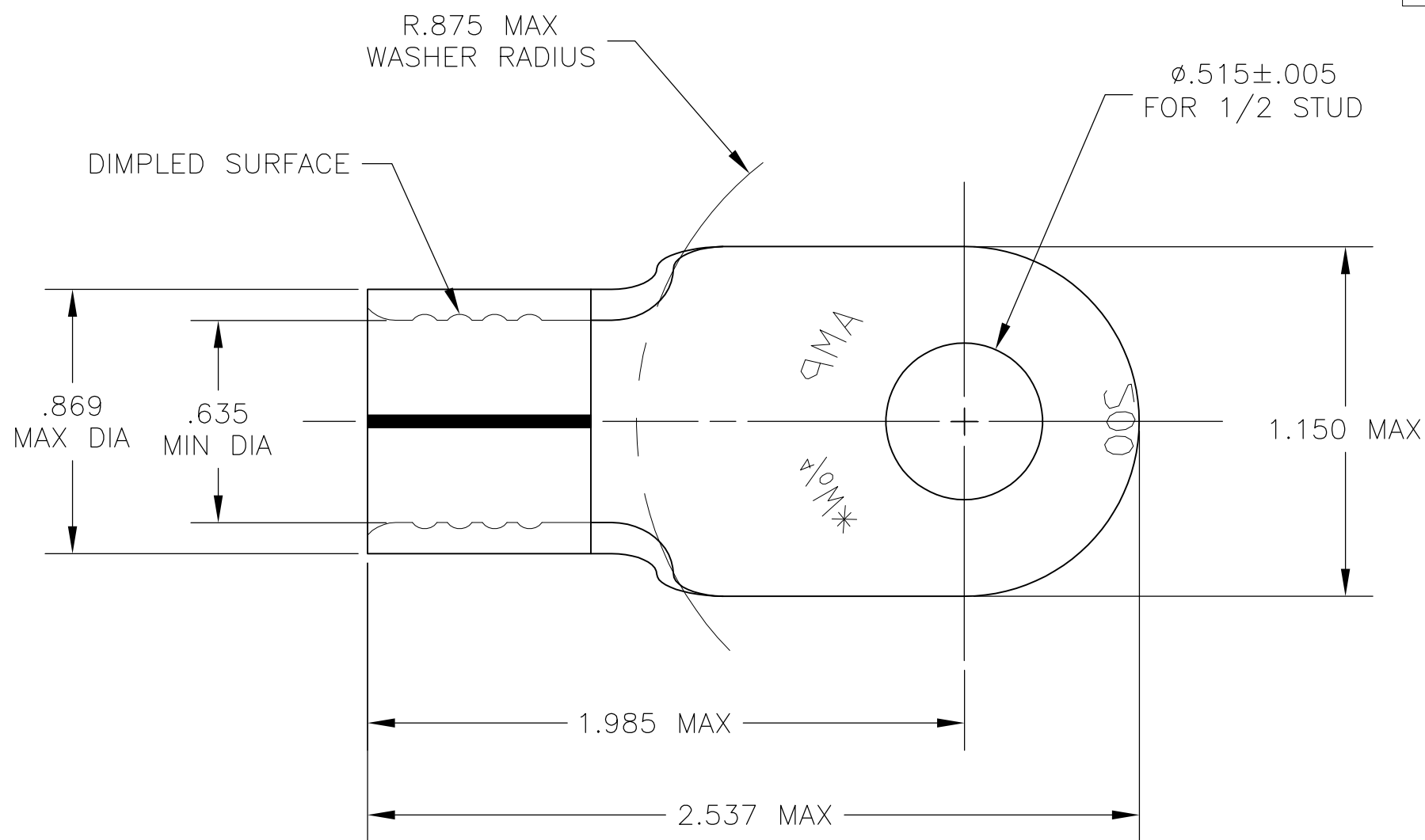
RELEASED FOR PUBLICATION

ALL RIGHTS RESERVED.

© COPYRIGHT - By -

REVISIONS

P	LTR	DESCRIPTION	DATE	DWN	APVD
	C	REDRAWN PER 0G3A-0739-03	17NOV03	JR	MS
	C1	REVISED PER ECR-16-018115	03JAN2017	RS	DR



- 1 .102±.003 THK COPPER PER ASTM B-152.
- 2 TIN PLATE PER ASTM B-545, ANNEALED.

321163

PART NO

THIS DRAWING IS A CONTROLLED DOCUMENT.		DWN JR RUTH 17NOV03	TE Connectivity		
DIMENSIONS: INCHES		CHK MJ SPICER 17NOV03			
		APVD MJ SPICER 17NOV03	NAME WIRE TERMINAL, SOLISTRAND RING TONGUE, WIRE SIZE: 4/0		
TOLERANCES UNLESS OTHERWISE SPECIFIED:		PRODUCT SPEC	RESTRICTED TO		
0 PLC ± -		APPLICATION SPEC	SIZE	CAGE CODE	DRAWING NO
1 PLC ± -		—	A300779		C-321163
2 PLC ± -		—	SCALE 2:1 SHEET 1 OF 1 REV C1		
3 PLC ± .008		—			
4 PLC ± -		—			
ANGLES ± 1°		WEIGHT			
FINISH		—			
MATERIAL		CUSTOMER DRAWING			
1		2			

单击下面可查看定价，库存，交付和生命周期等信息

[>>TE Connectivity\(泰科\)](#)