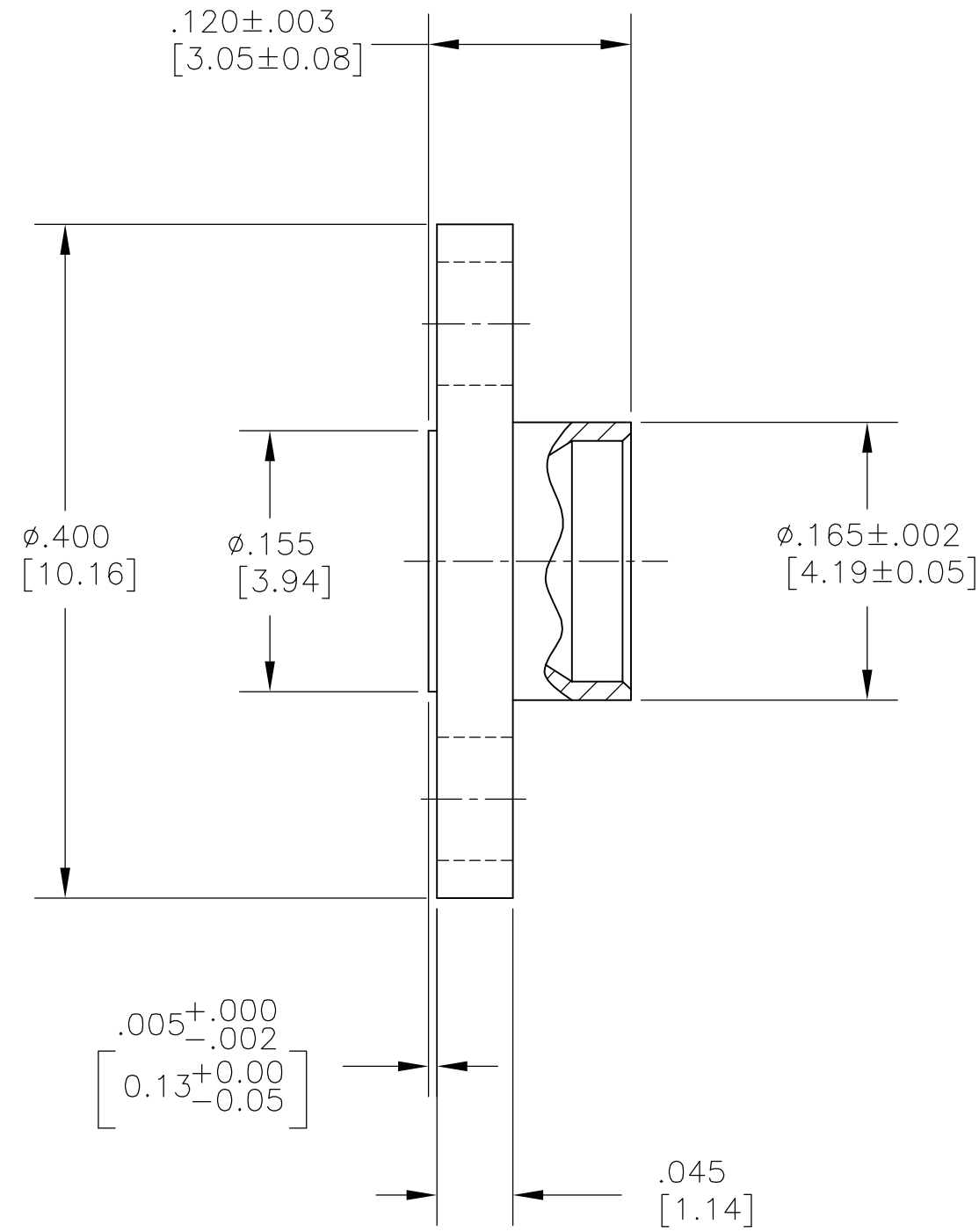
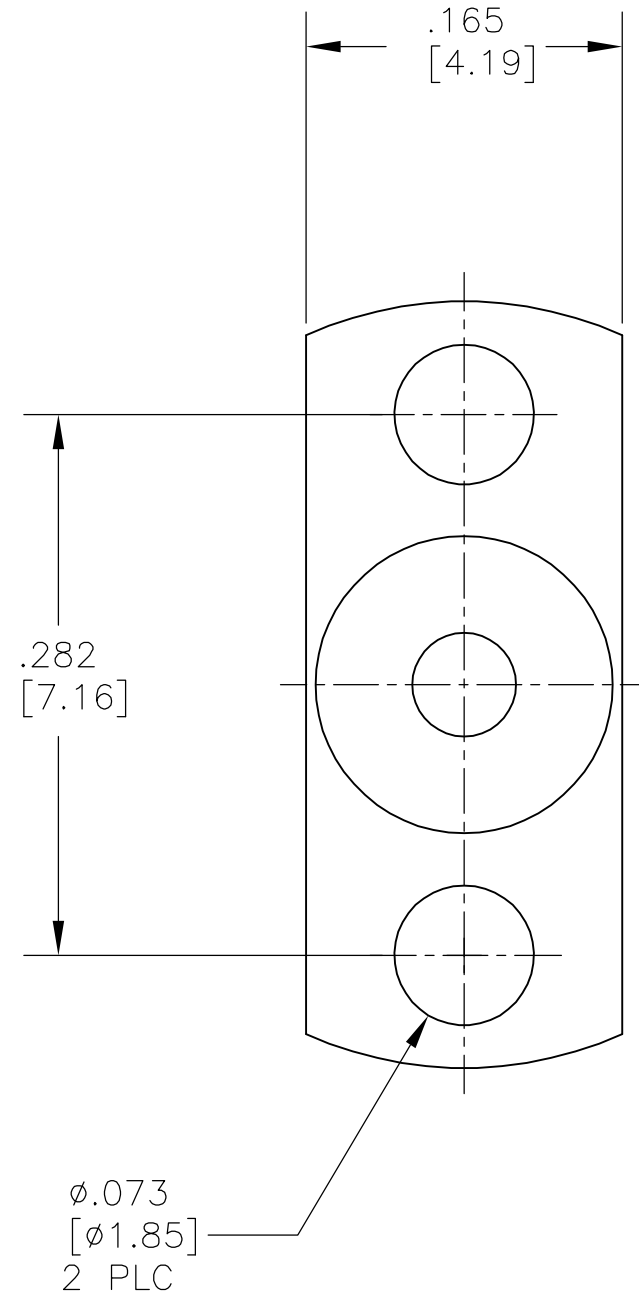


THIS DRAWING IS UNPUBLISHED. RELEASED FOR PUBLICATION
 © COPYRIGHT BY TYCO ELECTRONICS CORPORATION. ALL RIGHTS RESERVED.

LOC		DIST		REVISIONS			
P	LTR	DESCRIPTION		DATE	DWN	APVD	
X0	DF	A	RELEASED	4-18-05	CT	BM	

- 1. STAINLESS STEEL PER ASTM-A-582
- 2. PASSIVATION PER AMS QQ-P-35
- 3. SMP INTERFACE PER MIL-STD-348A, FIGURE 326-4
- 4. DSCC REFERENCE PART NUMBER: 94007ZSP-5S



2	1	1757029-1
FINISH	MATERIAL	PART NO.

THIS DRAWING IS A CONTROLLED DOCUMENT.		DWN B. MOYER 13APRO5	Tyco Electronics Corporation Harrisburg, Pa 17105-3608	
DIMENSIONS: INCHES		CHK C.C.THOMAS 4-18-05	AMP	
TOLERANCES UNLESS OTHERWISE SPECIFIED:		APVD B. MOYER 4-18-05	HOUSING SHROUD, SMOOTH BORE, SMP	
0 PLC ± -		PRODUCT SPEC	SIZE A2	CAGE CODE 00779
1 PLC ± -		APPLICATION SPEC	DRAWING NO C=1757029	RESTRICTED TO
2 PLC ± -		WEIGHT	SCALE 10:1	SHEET 1 OF 1
3 PLC ± .005 (0.13)		CUSTOMER DRAWING	REV A	
4 PLC ± -				
ANGLES ± 1°				
FINISH				
MATERIAL SEE TABLE				
FINISH SEE TABLE				

单击下面可查看定价，库存，交付和生命周期等信息

[>>TE Connectivity\(泰科\)](#)