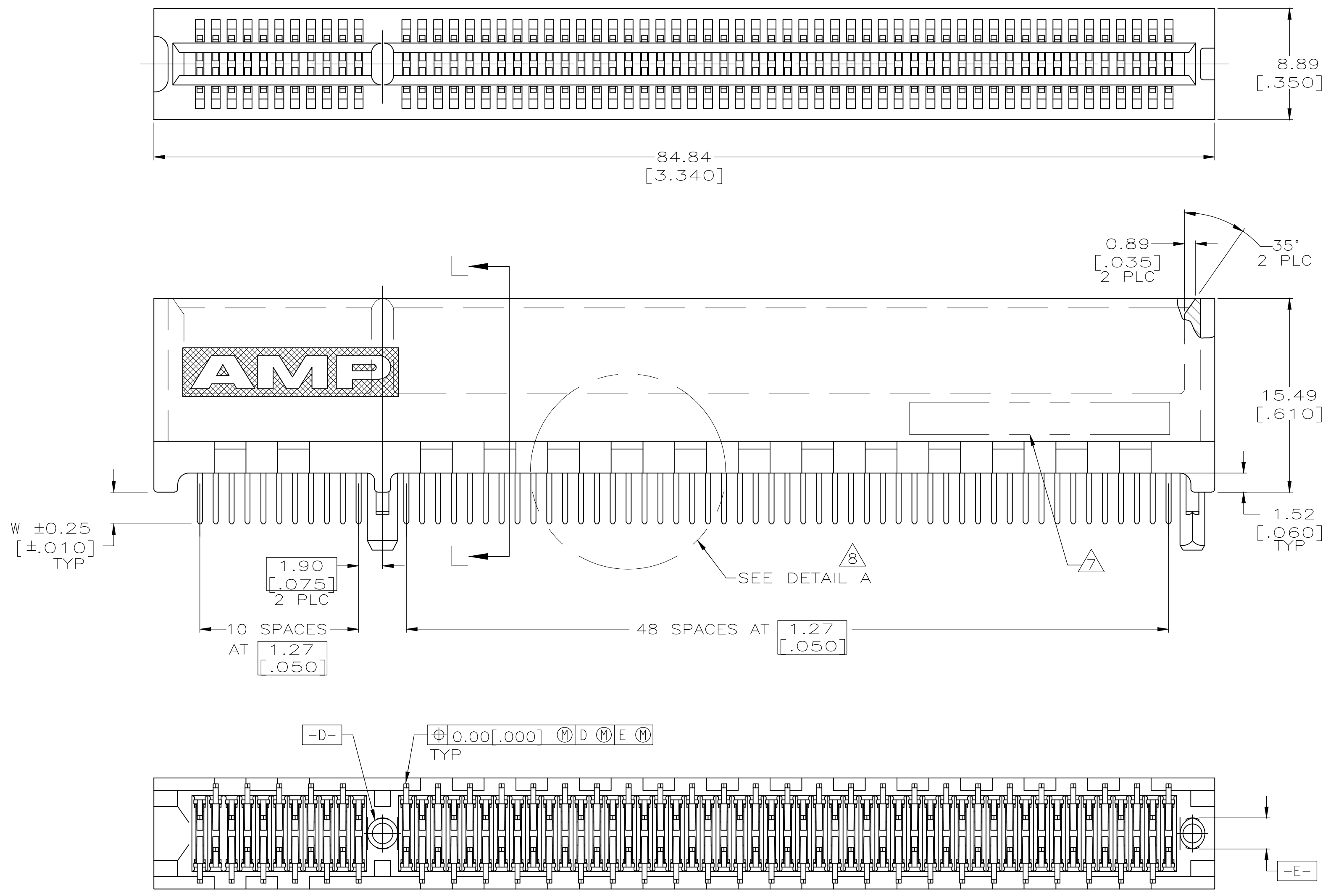
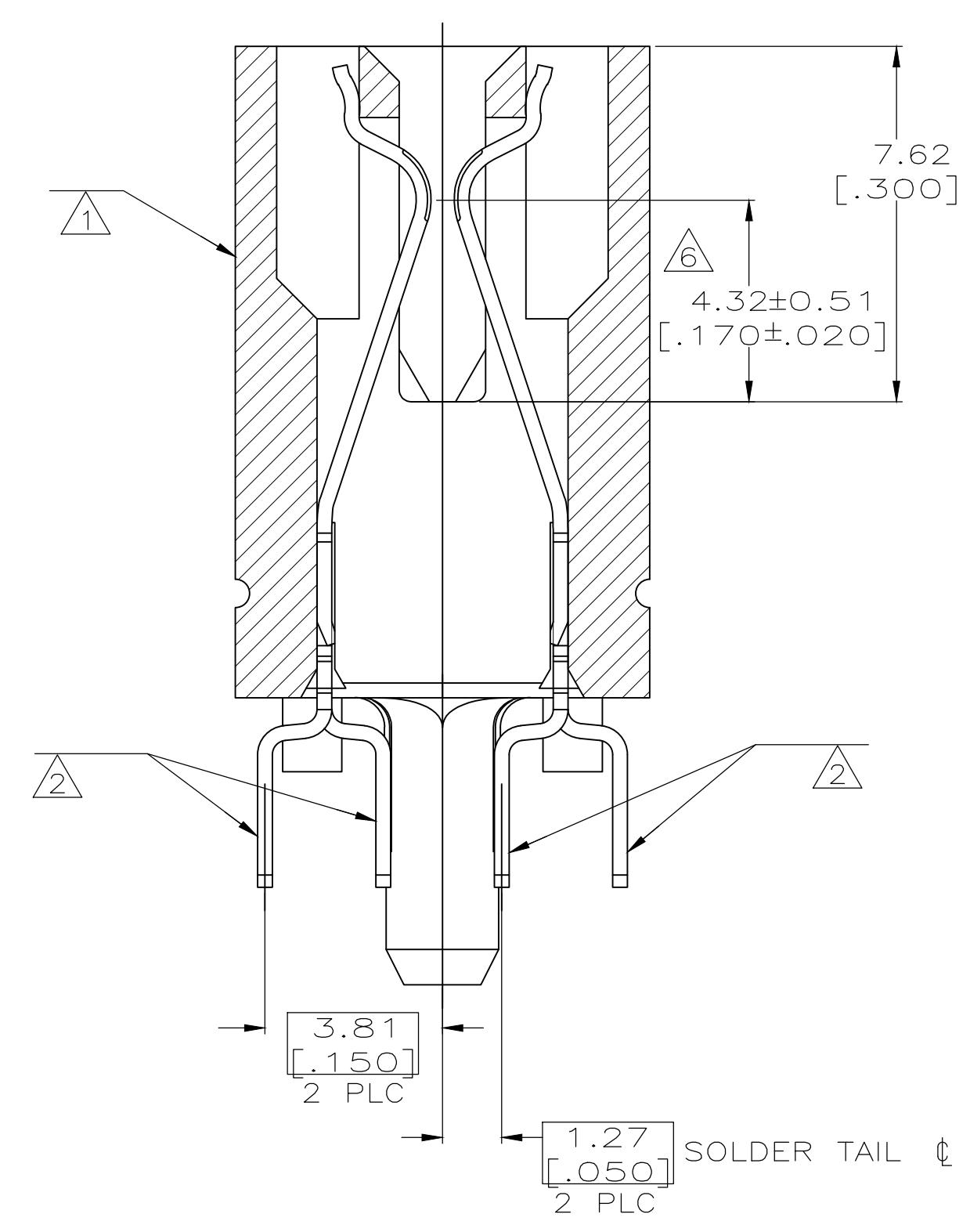
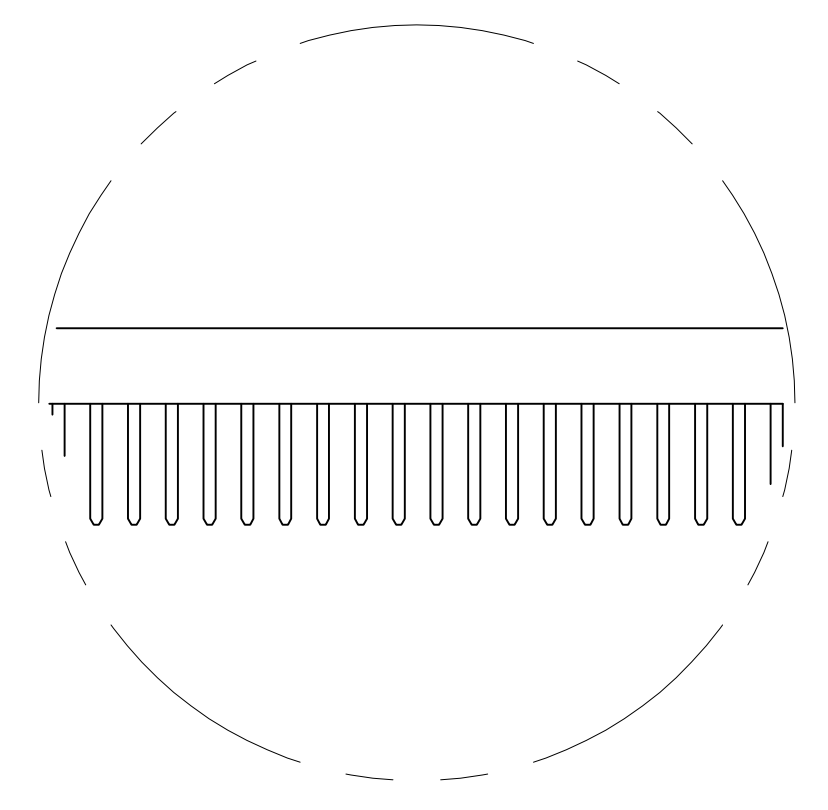


REVISIONS					
P	LTR	DESCRIPTION	DATE	DMN	APVD
F		ECO-18-017212	30NOV2018	FL	HL



- 1 HOUSING: HIGH TEMPERATURE THERMOPLASTIC. COLOR - NATURAL
- 2 CONTACT: PHOSPHOR BRONZE.
- 3 CONTACT FINISH: .001269[.000050] MIN NICKEL ALL OVER. GOLD FLASH OVER NICKEL IN CONTACT AREA. .002537[.000100] MIN TIN OVER NICKEL ON SOLDER TAILS.
- 4 CONTACT FINISH: .001269[.000050] MIN NICKEL ALL OVER. .000375[.000015] MIN GOLD OVER NICKEL IN CONTACT AREA. .002537[.000100] MIN TIN OVER NICKEL ON SOLDER TAILS.
- 5 CONTACT FINISH: .001269[.000050] MIN NICKEL ALL OVER. .000757[.000030] MIN GOLD OVER NICKEL IN CONTACT AREA. .002537[.000100] MIN TIN OVER NICKEL ON SOLDER TAILS.
- 6 DISTANCE FROM CONTACT POINT TO BOTTOM OF CARD SLOT.
- 7 TE CONNECTIVITY PART NUMBER, DATE CODE AND CSA LOGO SHOULD BE MARKED ON THE SIDE OF THE HOUSING NEAR THE AMP LOGO.
- 8 CORED OR SOLID SIDE WALLS ARE AT DISCRETION OF TE CONNECTIVITY
- 9 PIN 44~49 AND PIN 104~109 ARE NOT LOADED.

SEE SHEET 2 FOR HOLE PATTERN



3.56 [.140]	5	1-5145154-2
3.18 [.125]	5	5145154-8
2.54 [.100]	5	5145154-4
2.54 [.100]	4	5145154-2
2.54 [.100]	3	5145154-1
W	FINISH	PART NUMBER

THIS DRAWING IS A CONTROLLED DOCUMENT.

DIMENSIONS: mm [INCHES]	TOLERANCES UNLESS OTHERWISE SPECIFIED:	0 PLC ± -	1 PLC ± -	2 PLC ± .25[.01]	3 PLC ± .125 [.005]	4 PLC ± -	ANGLES ± °	FINISH -
-------------------------	--	-----------	-----------	------------------	---------------------	-----------	------------	----------

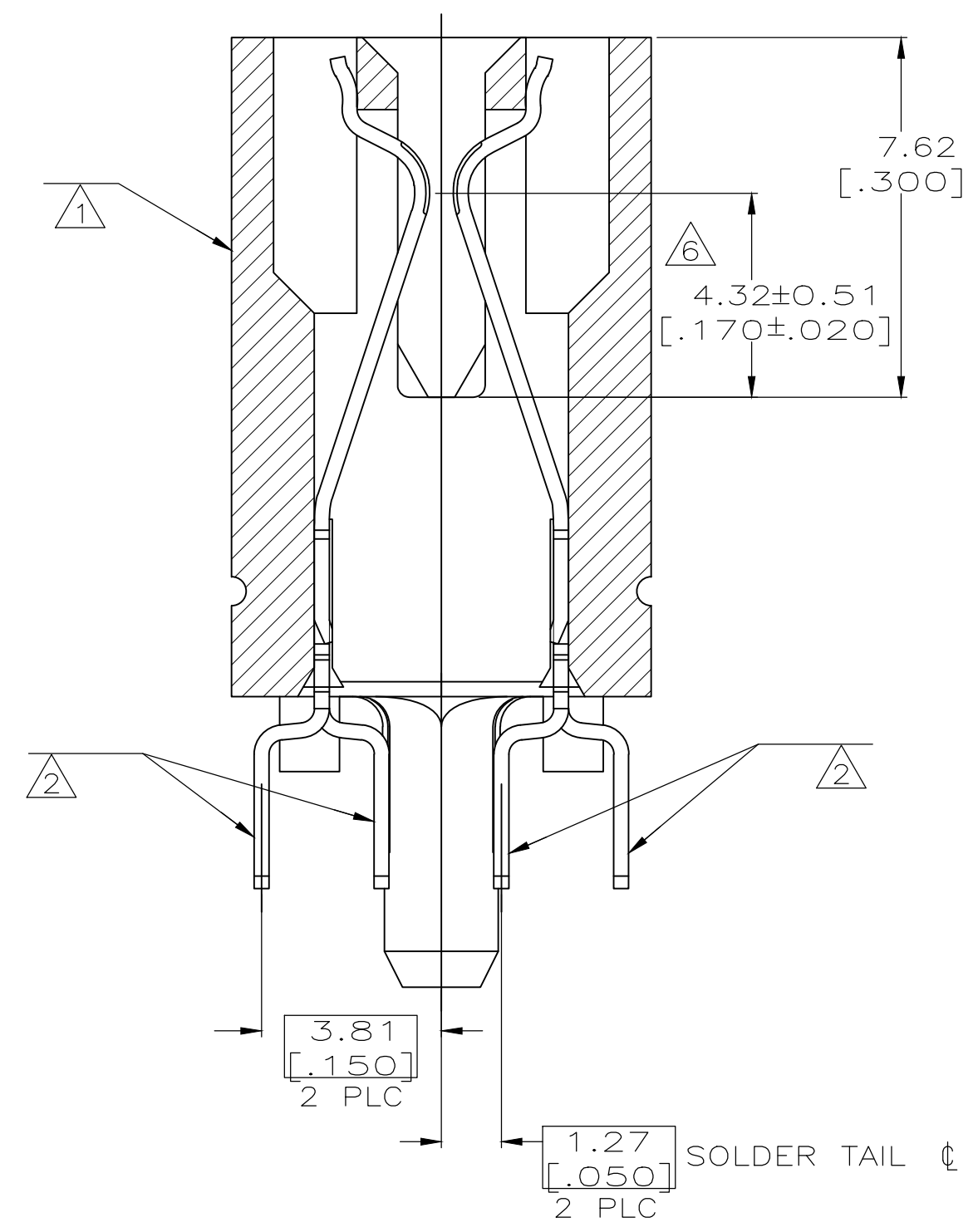
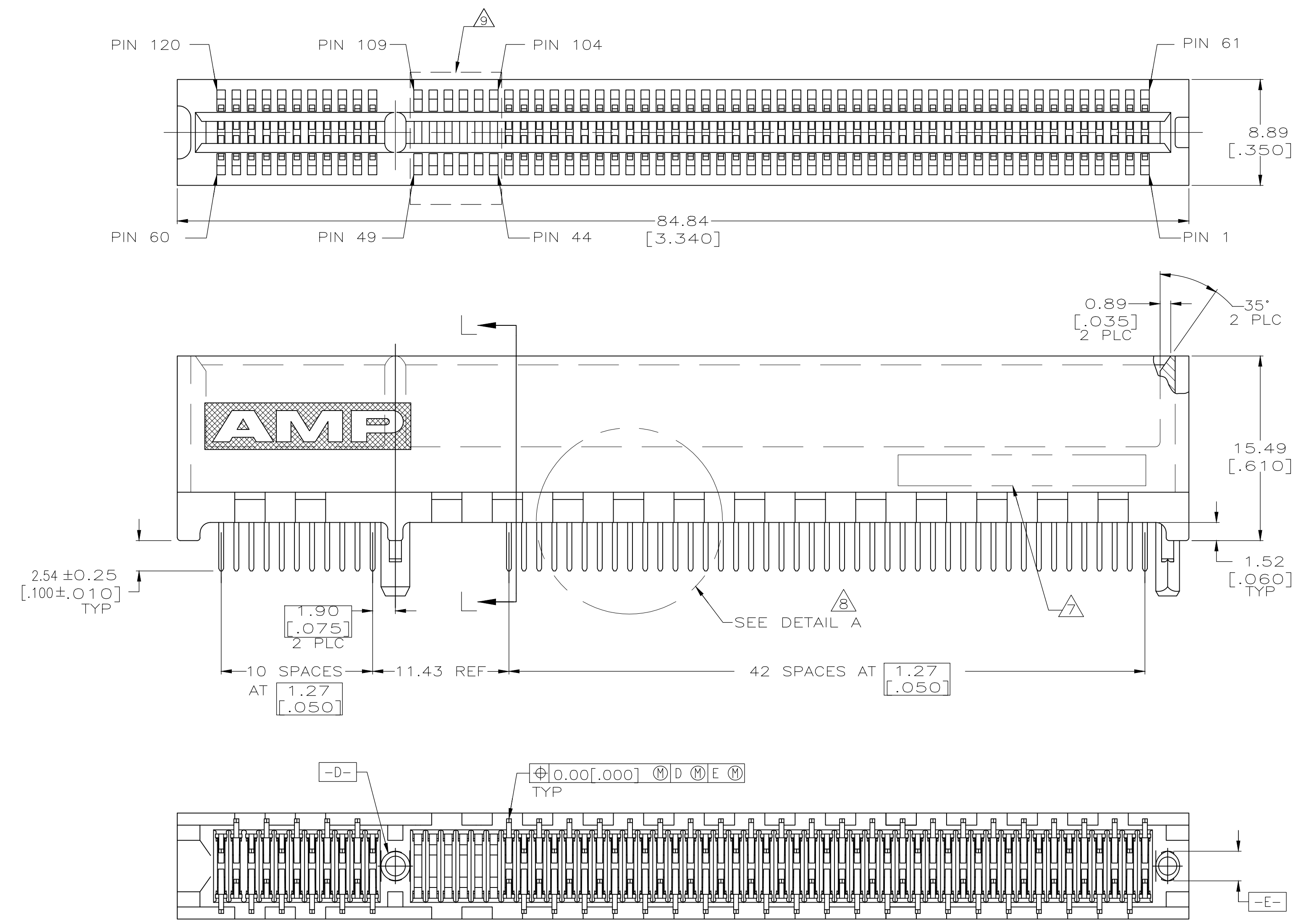
DMN: AL FRANTUM 20 MAY 04	CHK: AL FRANTUM 20 MAY 04	APVD: -	NAME: -
PRODUCT SPEC: 108-14034	APPLICATION SPEC: 114-26012	SIZE: A1	SCALE: 4:1
WEIGHT: 0	CUSTOMER DRAWING	DRAWING NO: 00779	RESTRICTED TO: -

STE TE Connectivity Ltd.

CONNECTOR ASSEMBLY, 60 DUAL POSITION, 1.27 [.050] SERIES, CARD EDGE

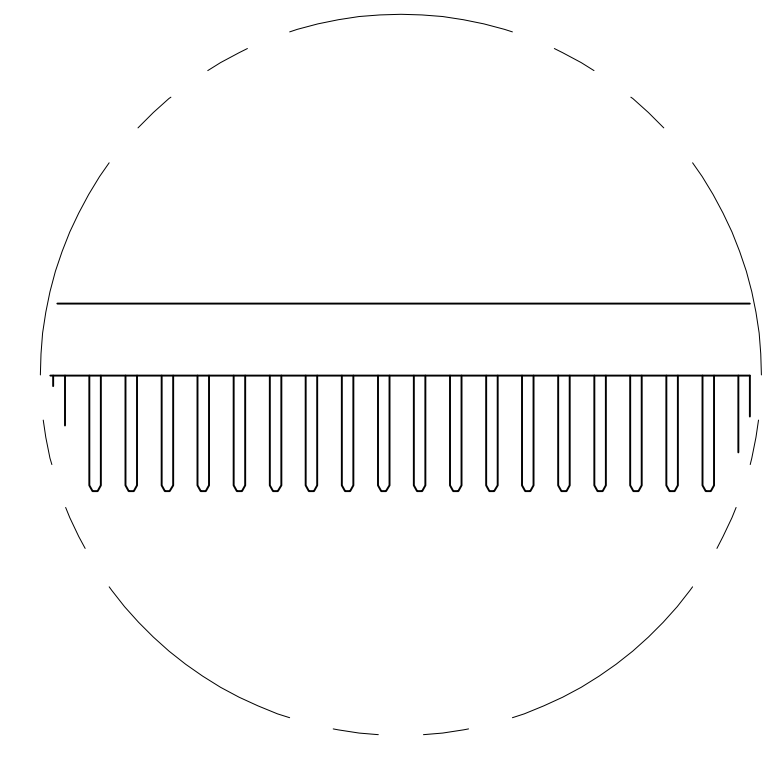
SCALE 4:1 SHEET 1 OF 4 REV F

REVISIONS				
P	LTR	DESCRIPTION	DATE	APPV
-	-	SEE SHEET 1	-	-



SECTION L-L
SCALE 8:1

SEE SHEET 4 FOR HOLE PATTERN



DETAIL A

SELECT LOADED TYPE AS SHOWN.

FINISH	2-5145154-1
	PART NUMBER

THIS DRAWING IS A CONTROLLED DOCUMENT.		DWN AL FRANTUM 20 MAY 04 CHK AL FRANTUM 20 MAY 04 APPVD -	NAME PRODUCT SPEC 108-14034 APPLICATION SPEC 114-26012	SIZE A1	CAGE CODE 00779	DRAWING NO 5145154	RESTRICTED TO -	
DIMENSIONS: mm (INCHES)	TOLERANCES UNLESS OTHERWISE SPECIFIED: 0 PLC ± - 1 PLC ± - 2 PLC ± .25 [.01] 3 PLC ± .125 [.005] 4 PLC ± - ANGLES ± °	MATERIAL -	FINISH -	WEIGHT -	CUSTOMER DRAWING	SCALE 4:1	SHEET 3 OF 4	REV F

单击下面可查看定价，库存，交付和生命周期等信息

[>>TE Connectivity\(泰科\)](#)